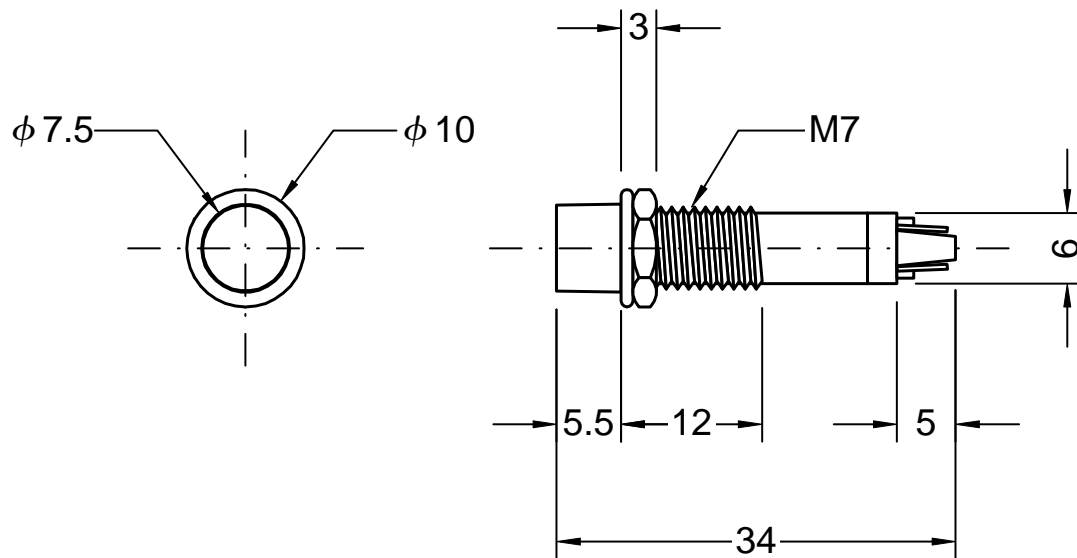


材 質 表

NO.	部品名稱 PART NAME	部品材質 MATERIAL
1	本體 HOUSING	壓克力 ACRYLIC
2	螺母 NUT	青銅 BRONZE
3	華司 WASHER	鐵圈 IRON HOOP
4	底座 HOLDER	尼龍66+玻璃纖維
5	焊片 SOLDER	青銅 BRONZE
6	燈泡 LAMP	4X11+1/4W電阻

MODEL NO. LAMP COLOR

- SIN-814-R-120V RED
- SIN-814-O-120V ORANGE
- SIN-814-G-120V GREEN
- SIN-814-R-220V RED
- SIN-814-O-220V ORANGE
- SIN-814-G-220V GREEN
- SIN-814L-R-6V RED
- SIN-814L-Y-6V YELLOW
- SIN-814L-G-6V GREEN
- SIN-814L-R-12V RED
- SIN-814L-Y-12V YELLOW
- SIN-814L-G-12V GREEN
- SIN-814L-R-24V RED
- SIN-814L-Y-24V YELLOW
- SIN-814L-G-24V GREEN
- SIN-814P-R-6V RED
- SIN-814P-O-6V ORANGE
- SIN-814P-G-6V GREEN
- SIN-814P-R-12V RED
- SIN-814P-O-12V ORANGE
- SIN-814P-G-12V GREEN
- SIN-814P-R-24V RED
- SIN-814P-O-24V ORANGE
- SIN-814P-G-24V GREEN

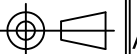


喜威達企業股份有限公司
SWEETA PRODUCTS CORPORATION

Title INDICATOR LIGHT

Dwg No. SIN-814

File No.



Scale: 2 : 1

Size: A 4

Rev : 0-1

Sheet: 1 / 1

Approver:

Checker:

Drawer: Adam

08/10/2017