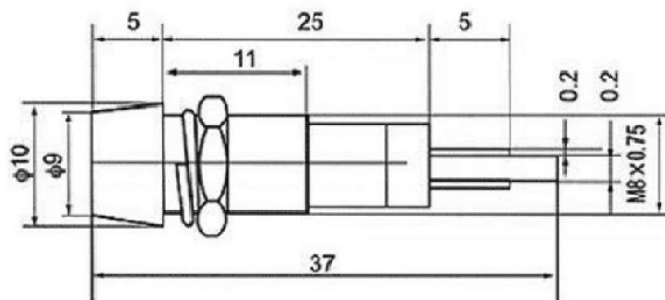
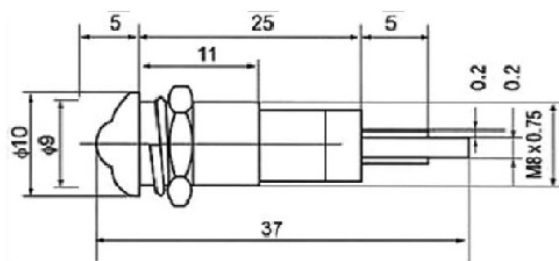


LED indicators, IND8 series



Indicator type	LED
Body material	metal
Leads	for soldering
Operating temperature	-25...70°C
Sealing	IP40
Manufacturer	NINIGI

Symbol	Type	Body colour	LED colour	LED Diameter [mm]	Cutout [mm]	U _{oper.} [V DC]	Dimensions
IND8-12G-A	prominent	silver	green	5	Ø8.2	12	Fig. 1.
IND8-12G-B	recessed	silver	green	5	Ø8.2	12	Fig. 2.
IND8-12R-A	prominent	silver	red	5	Ø8.2	12	Fig. 1.
IND8-12R-B	recessed	silver	red	5	Ø8.2	12	Fig. 2.
IND8-12Y-A	prominent	silver	yellow	5	Ø8.2	12	Fig. 1.
IND8-12Y-B	recessed	silver	yellow	5	Ø8.2	12	Fig. 2.
IND8-12B-A	prominent	silver	blue	5	Ø8.2	12	Fig. 1.
IND8-12B-B	recessed	silver	blue	5	Ø8.2	12	Fig. 2.