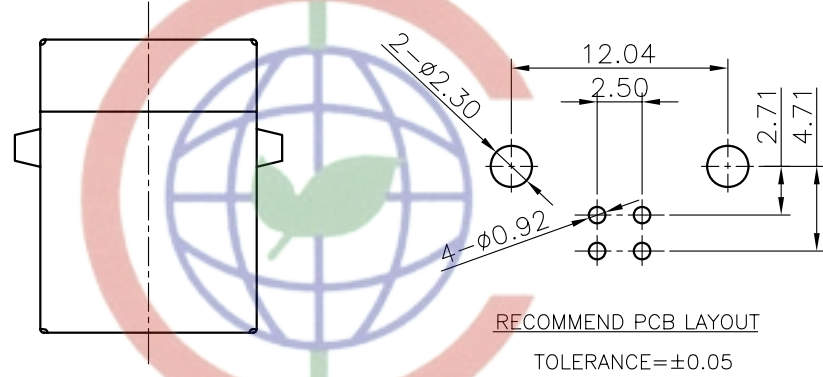


REV.	DESCRIPTION	DRAWN	CHECKED	APPROVED
A	NEW RELEASE	LJH 05/10/05'		

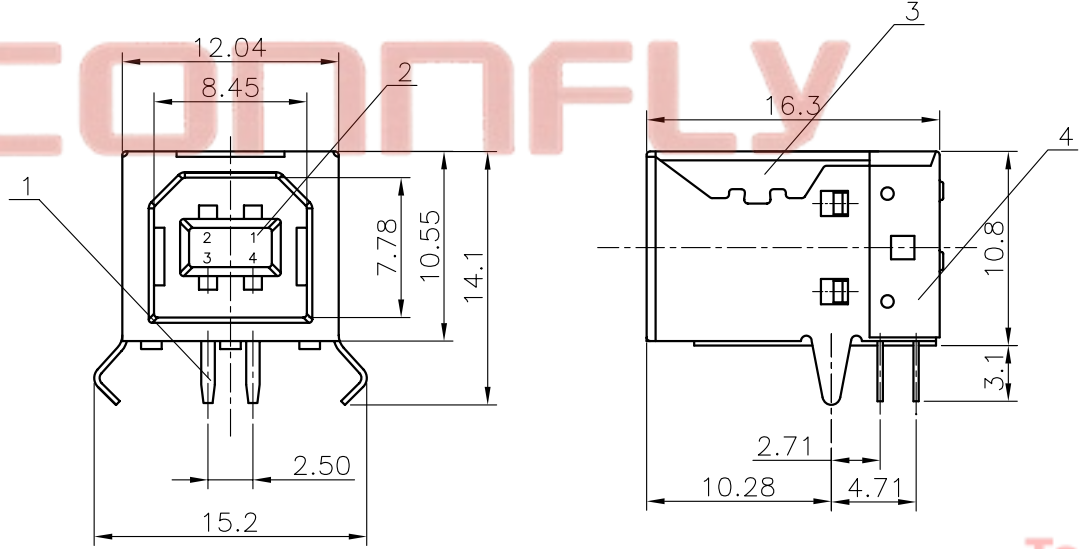
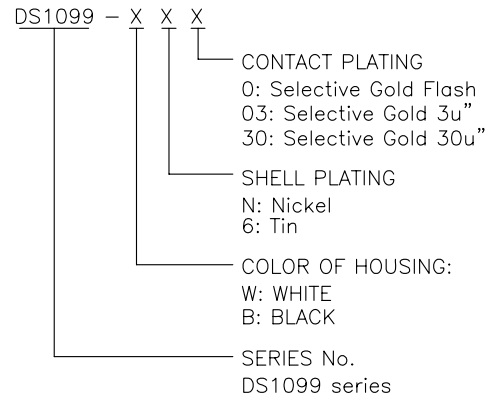


NOTES:

- SPECIFICATIONS:
  - CONTACT RESISTANCE:30mΩ max.
  - INSULATION RESISTANCE:1000MΩ min.
  - CURRENT RATING:1.5A.
  - VOLTAGE RATING:30VDC.
  - DIELECTRIC WITHSTANDING VOLTAGE:AC 500V FOR 1 Minute.

- MATERIALS:
  - HOUSING:PBT+30% GLASS FIBER(UL 94-0).
  - CONTACT:COPPER ALLOY
  - SHELL:COPPER ALLOY.

3. PRODUCT NUMBER CODE:



Tel: 86-574-63508787

Fax: 86-574-63510817

				GENERAL TOLERANCE	ANGLE TOLERANCE	PROJECTION	TITLE
				X. ±0.60	X. ±5°	mm	USB B TYPE R/A DIP TYPE
				.X ±0.38	.X ±3°	A4	SERIES DS1099 SERIES
				.XX ±0.25	.XX ±2°		
4	BACK SHELL		COPPER ALLOY				
3	FRONT SHELL		COPPER ALLOY	SEE NOTES			
2	HOUSING		PBT	UL 94 V-0			
1	CONTACT		COPPER ALLOY	SEE NOTES			
ITEM	PART NAME	PART NO.	MATERILAS	FINISHED	DRAWING TYPE	CUSTOMER	
					SCALE	1:1	SHEET 1 OF 1
					DRAWING NO.	C-DS1099-XXX	

**CONNFLY** 晨翔电子有限公司  
**CONNFLY ELECTRONIC CO. LTD**