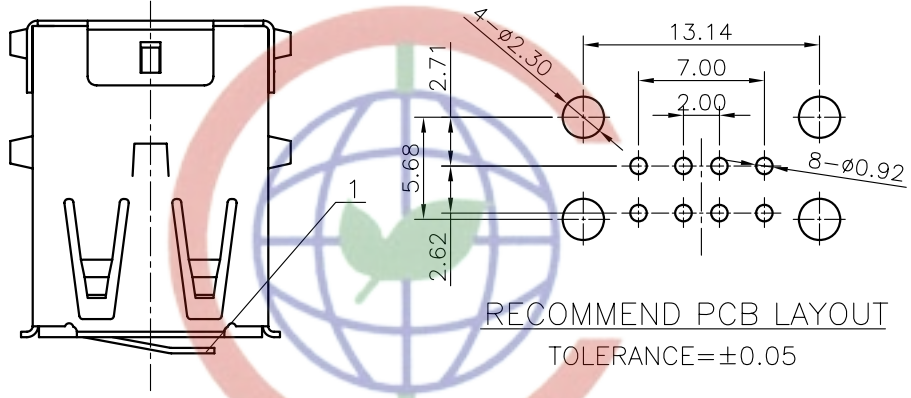
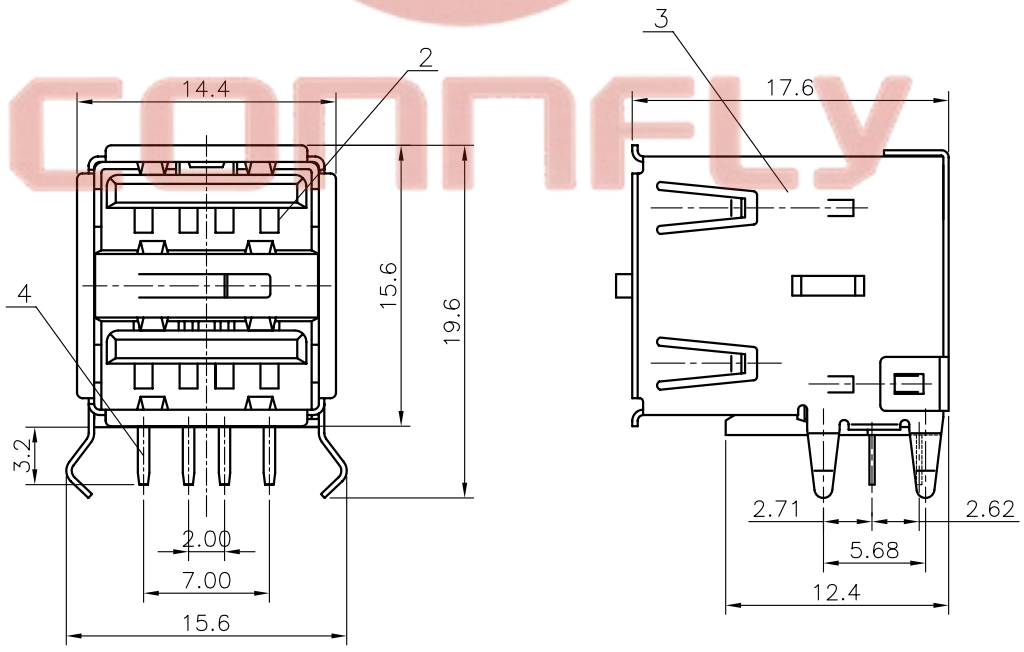
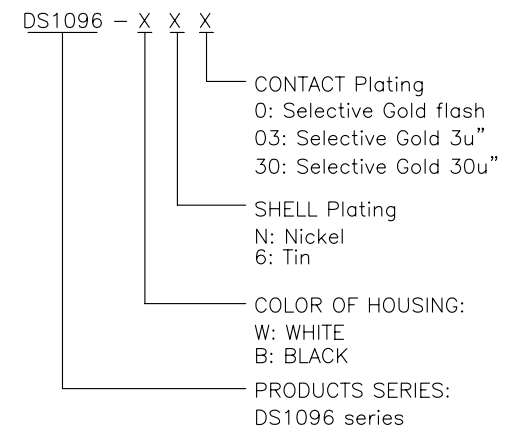


REV.	DESCRIPTION	DRAWN	CHECKED	APPROVED
A	NEW RELEASE	LJH 05/10/05'		



NOTES:

- SPECIFICATIONS:
  - CONTACT RESISTANCE:30mΩ max.
  - INSULATOR RESISTANCE:1000MΩ min.AT DC 500V.
  - CURRENT RATING:1.5A.
  - VOLTAGE RATING:30VDC.
  - DIELECTRIC STRENGTH:AC 500V FOR 1 Minute.
- MATERIALS:
  - HOUSING:PBT+30% GLASS FIBER(UL 94-0).
  - CONTACT:COPPER ALLOY
  - SHELL:COPPER ALLOY.
- PRODUCT NUMBER CODE:
- PRODUCT NUMBER CODE:



Tel: 86-574-63508787  
Fax: 86-574-63510817

GENERAL TOLERANCE				ANGLE TOLERANCE		PROJECTION		TITLE		
X.	±0.60			X.	±5°		UNIT		USB DUAL 8 PIN RECEPTALCE	
.X	±0.38			.X	±3°		mm		RIGHT ANGLE TYPE	
.XX	±0.25			.XX	±2°		SHEET SIZE		A4	
				DRAWING TYPE		CUSTOMER		SERIES		DS1096 SERIES
4	CONTACT		COPPER ALLOY	SEE NOTES						
3	SHELL		COPPER ALLOY	SEE NOTES						
2	HOUSING		PBT	UL 94 V-0						
1	SPRING CLIP		COPPER ALLOY	Nickel Plated						
ITEM	PART NAME	PART NO.	MATERILAS	FINISHED	DRAWING NO.		C-DS1096-XXX			

晨翔电子有限公司  
CONNFLY CONNFLY ELECTRONIC CO. LTD