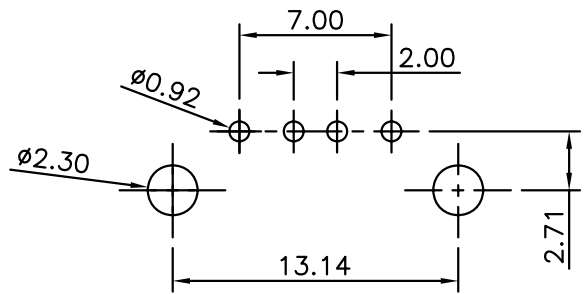
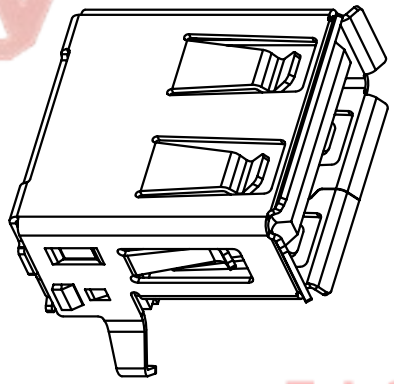
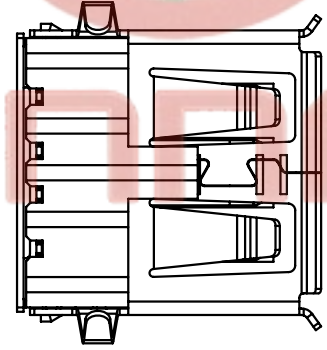
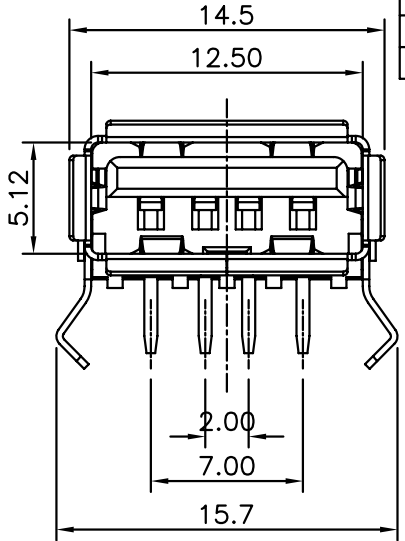
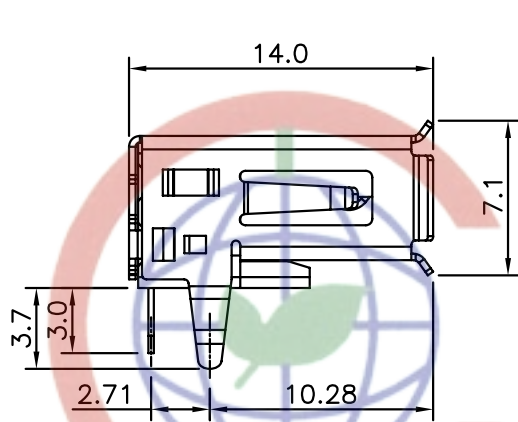


REV.	DESCRIPTION	DRAWN	CHECKED	APPROVED
A	NEW RELEASE	LL 11/13/06'		



- NOTES:
- SPECIFICATIONS:
 - CONTACT RESISTANCE: 30mΩ max.
 - INSULATOR RESISTANCE: 1000MΩ min. AT DC 500V.
 - CURRENT RATING: 1.5A.
 - VOLTAGE RATING: 30V AC/DC.
 - DIELECTRIC STRENGTH: AC 500V FOR 1 Minute.
 - MATERIALS:
 - HOUSING: PBT+30% GLASS FIBER(UL 94-0).
 - CONTACT: COPPER ALLOY
 - SHELL: COPPER ALLOY.
 - PRODUCT NUMBER CODE:

DS1095-X X X X

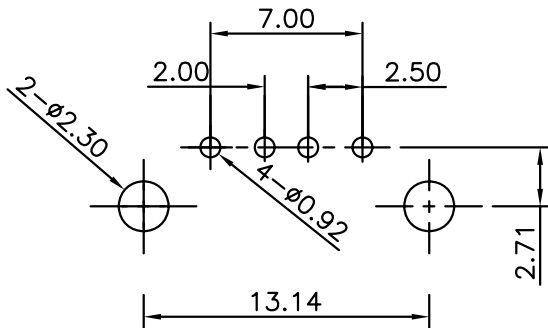
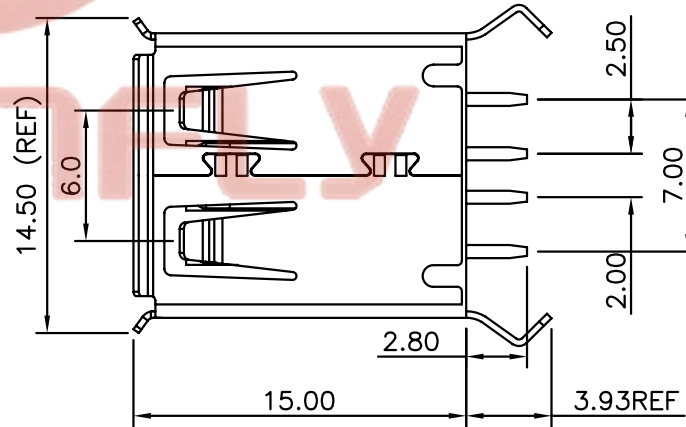
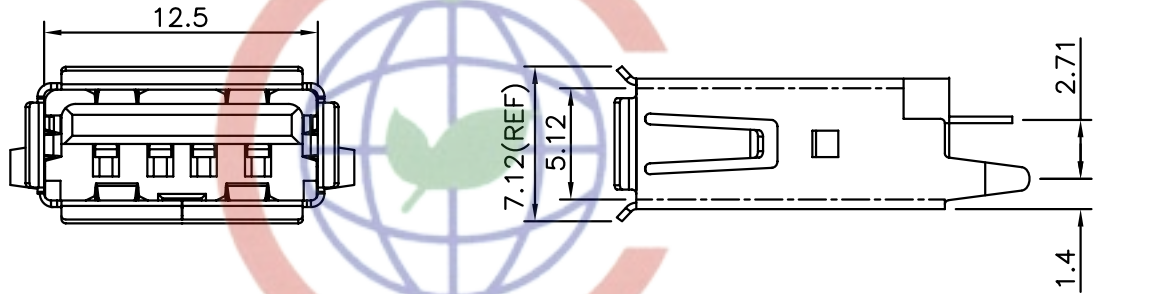
- CONTACT PLATING
 - 0: Selective gold flash
 - 03: Selective gold 3u"
 - 30: Selective gold 30u"
- MOUNTING TYPE
 - R: R/A
- SHELL PLATING:
 - N: Nickel
 - 6: Tin
- COLOR OF HOUSING:
 - W: WHITE
 - B: Black
- SERIES No. DS1095

Tel: 86-574-63508787
 Fax: 86-574-63510817

GENERAL TOLERANCE		ANGLE TOLERANCE		PROJECTION	TITLE
X.	±0.60	X.	±5°		USB A TYPE Single port Female TYPE
.X	±0.38	.X	±3°	UNITS	mm
.XX	±0.25	.XX	±2°	SHEET SIZE	A4
DRAWING TYPE		CUSTOMER		SERIES DS1095 SERIES	
SCALE		1:1		SHEET 1 OF 1	
DRAWING NO.		C-DS1095-XXRX		CONNFLY ELECTRONIC CO. LTD	

晨翔电子有限公司
 CONNFLY ELECTRONIC CO. LTD

REV.	DESCRIPTION	DRAWN	CHECKED	APPROVED
A	NEW RELEASE	LL 10/29/06'		



NOTES:

1. SPECIFICATIONS:

- 1.0 CONTACT RESISTANCE: 30mΩ max.
- 1.1 INSULATOR RESISTANCE: 1000MΩ min.AT DC 500V.
- 1.2 CURRENT RATING: 1.5A.
- 1.3 VOLTAGE RATING: 30V AC/DC.
- 1.4 DIELECTRIC STRENGTH: AC 500V FOR 1 Minute.

2. MATERIALS:

- 2.0 HOUSING: PBT+30% GLASS FIBER(UL 94--0).
- 2.1 CONTACT: COPPER ALLOY
- 2.2 SHELL: COPPER ALLOY.

3. PRODUCT NUMBER CODE:

DS1095-X X X X

CONTACT PLATING
 0: Selective gold flash
 03: Selective gold 3u"
 30: Selective gold 30u"

MOUNTING TYPE
 S: V/T

SHELL PLATING:
 N: Nickel
 6: Tin

COLOR OF HOUSING:
 W: WHITE
 B: Black

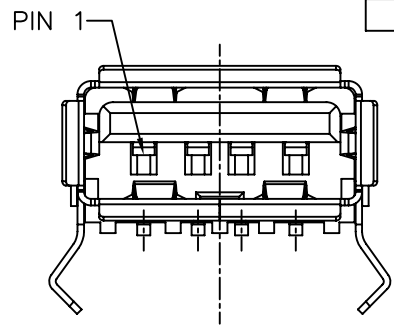
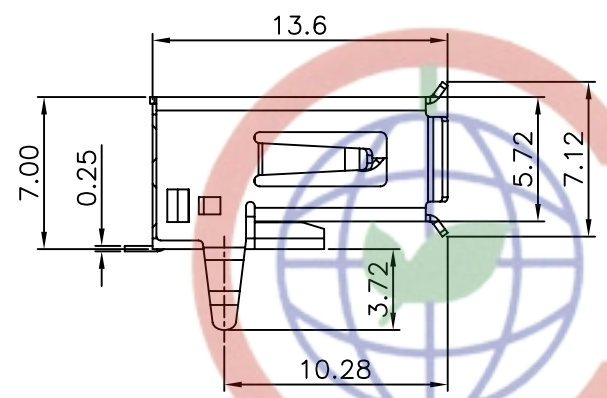
SERIES No.
 DS1095

Tel: 86-574-63508787

Fax: 86-574-63510817

GENERAL TOLERANCE		ANGLE TOLERANCE		PROJECTION	TITLE
X.	±0.60	X.	±5°	UNITS	mm
.X	±0.38	.X	±3°	SHEET SIZE	A4
.XX	±0.25	.XX	±2°	SERIES	DS1095 SERIES
DRAWING TYPE	CUSTOMER	USB A/F180° TYPE Single port Female TYPE			
SCALE	1:1	SHEET	1 OF 1		
DRAWING NO.	C-DS1095-XXSX	晨翔电子有限公司 CONNFly CONNFly ELECTRONIC CO. LTD			

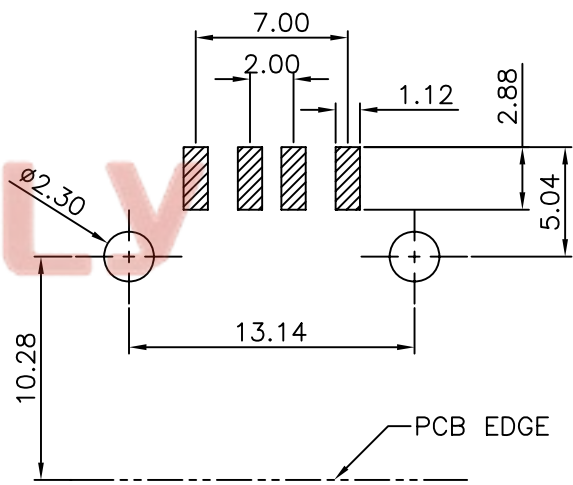
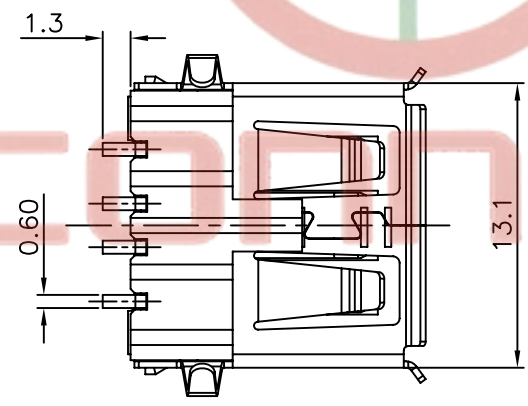
REV.	DESCRIPTION	DRAWN	CHECKED	APPROVED
A	NEW RELEASE	LJC 12/20/07'		



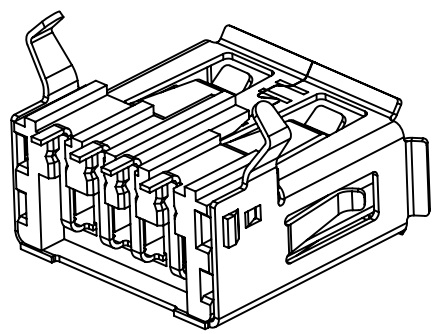
- NOTES:
- SPECIFICATIONS:
 - 1.0 CONTACT RESISTANCE: 30mΩ max.
 - 1.1 INSULATOR RESISTANCE: 1000MΩ min.AT DC 500V.
 - 1.2 CURRENT RATING: 1.5A.
 - 1.3 VOLTAGE RATING: 30V AC/DC.
 - 1.4 DIELECTRIC STRENGTH: AC 500V FOR 1 Minute.
 - MATERIALS:
 - 2.0 HOUSING: PBT+30% GLASS FIBER(UL 94-0).
 - 2.1 CONTACT: COPPER ALLOY
 - 2.2 SHELL: COPPER ALLOY.
 - PRODUCT NUMBER CODE:

DS1095-X X X X


- CONTACT PLATING
 - 0: Selective gold flash
 - 03: Selective gold 3u"
 - 30: Selective gold 30u"
- MOUNTING TYPE
 - M: SMT
- SHELL PLATING:
 - N: Nickel
 - 6: Tin
- COLOR OF HOUSING:
 - W: WHITE
 - B: Black
- SERIES No. DS1095



RECOMMEND PCB LAYOUT
(TOLERANCE=±0.05)



Tel: 86-574-63508787
Fax: 86-574-63510817

GENERAL TOLERANCE	ANGLE TOLERANCE	PROJECTION	TITLE	USB Female A TYPE SMT series
X. ±0.60	X. ±5°	UNITS mm		
.X ±0.38	.X ±3°	SHEET SIZE A4	SERIES DS1095 SERIES	
.XX ±0.25	.XX ±2°			
DRAWING TYPE	CUSTOMER	 晨翔电子有限公司 CONNFLY CONNFLY ELECTRONIC CO. LTD		
SCALE	1:1 SHEET 1 OF 1			
DRAWING NO.	C-DS1095-XXMX			