

1-A DC Motor Driver

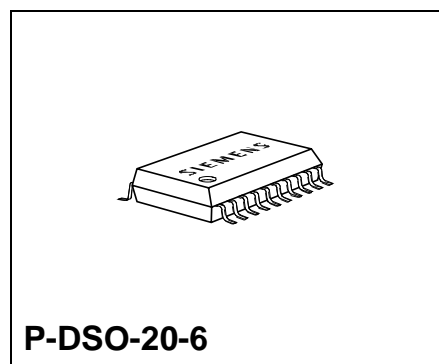
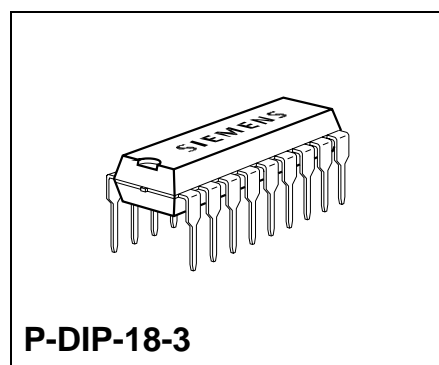
TLE 4205

Overview

Bipolar IC

Features

- Max. driver current 1 A
- Integrated free-wheeling diodes
- Short-circuit proof to ground
- Inhibit
- ESD protected inputs
- Temperature range $-40\text{ °C} \leq T_j \leq 150\text{ °C}$



Type	Ordering Code	Package
TLE 4205	Q67000-A9025	P-DIP-18-3
TLE 4205 G	Q67006-A9114	P-DSO-20-6

Description

TLE 4205 is an integrated power full-bridge DC-motor driver for a wide temperature range, as required in automotive applications for example. The circuit contains two power comparators that can be combined to a full-bridge circuit. For inductive loads there are integrated free-wheeling diodes to $+V_S$ and ground. The outputs are short-circuit proof up to 18 V supply voltage to ground and turn off when overtemperature occurs. This IC is especially suitable for headlight-beam adjustment in automobiles.

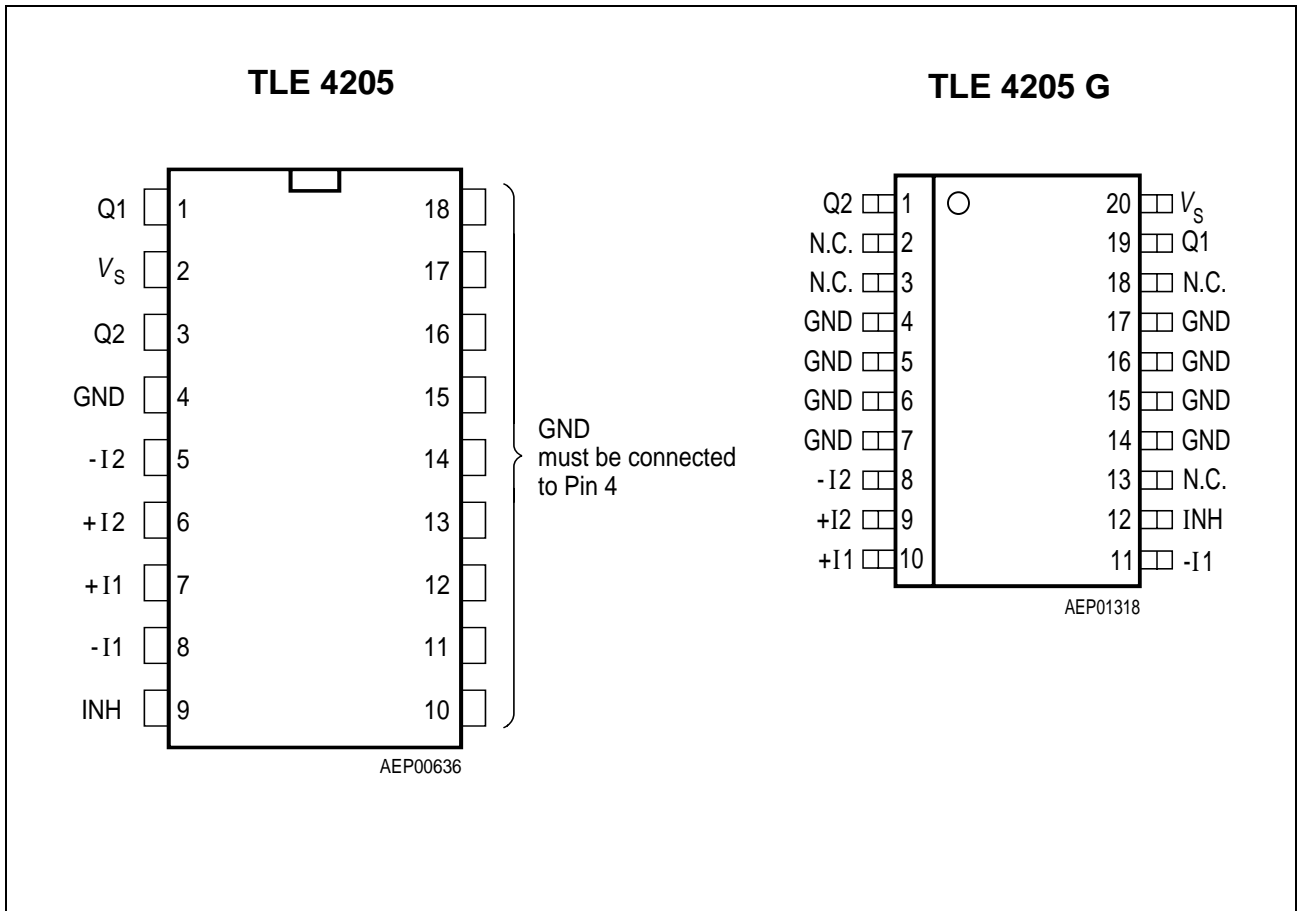


Figure 1 Pin Configuration (top view)

Pin Definitions and Functions

Pin No.	Symbol	Function
1	Q1	Output Q1 of channel 1; push-pull B output with DC short-circuit protection to ground. Integrated free-wheeling diodes to ground and the supply voltage.
2	V_S	Supply voltage V_S; must be blocked to ground with a ceramic capacitor of at least 100 nF directly on the pins of the IC.
3	Q2	Output Q2 of channel 2; see pin 1.
4	GND	Ground
5	- I2	Inverting input channel 2; to be wired according to general rules.
6	+ I2	Non-inverting input channel 2; to be wired according to general rules.
7	+ I1	Non-inverting input channel 1; see pin 6.
8	- I1	Inverting input channel 1; see pin 5.
9	INH	Inhibit; the IC is passive when this pin is open or connected to ground.
10-18	GND	Ground; must be connected to pin 4.

Pin Definitions and Functions (TLE 4205 G)

Pin No.	Symbol	Function
1	Q2	Output 2 of channel 2; push-pull B output with DC short-circuit protection to ground. Integrated free-wheeling diodes to ground and the supply voltage.
2	N.C.	Not connected
3	N.C.	Not connected
4-7	GND	Ground
8	- I2	Inverting input channel 2; to be wired according to general rules.
9	+ I2	Non-inverting input channel 2; to be wired according to general rules.
10	+ I1	Non-inverting input channel 1; see pin 9.
11	- I1	Inverting input channel 1; see pin 8.
12	INH	Inhibit; the IC is passive when this pin is open or connected to ground.
13	N.C.	Not connected
14-17	GND	Ground
18	N.C.	Not connected
19	Q1	Output Q1 of channel 1, see pin 1.
20	V_S	Supply voltage V_S; must be blocked with a ceramic capacitor of at least 100 nF directly on the pins of the IC.

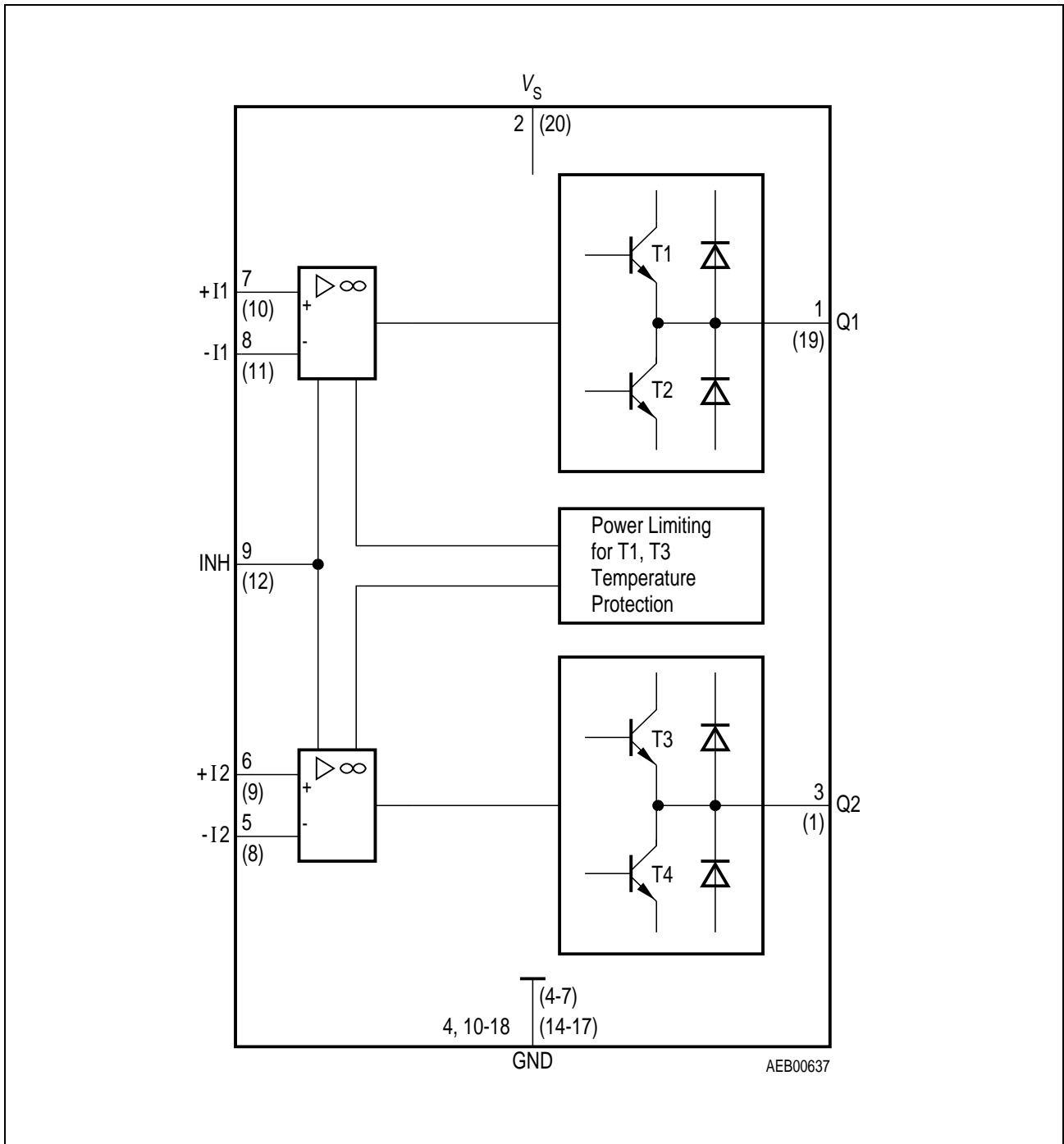


Figure 2 Block Diagram

Circuit Description

The IC contains two amplifiers with typical open-loop gain of 80 dB at 500 Hz.

The input stages consist of PNP-differential amplifiers. This produces a common-mode input range of 0 V to nearly V_S and a maximum differential input voltage of V_S . The IC is guarded against ground shorts by an SOA-protective circuit. The output transistors are turned off if the chip temperature exceeds approx. 160 °C. The IC can be turned off by an inhibit input, which very much reduces current consumption.

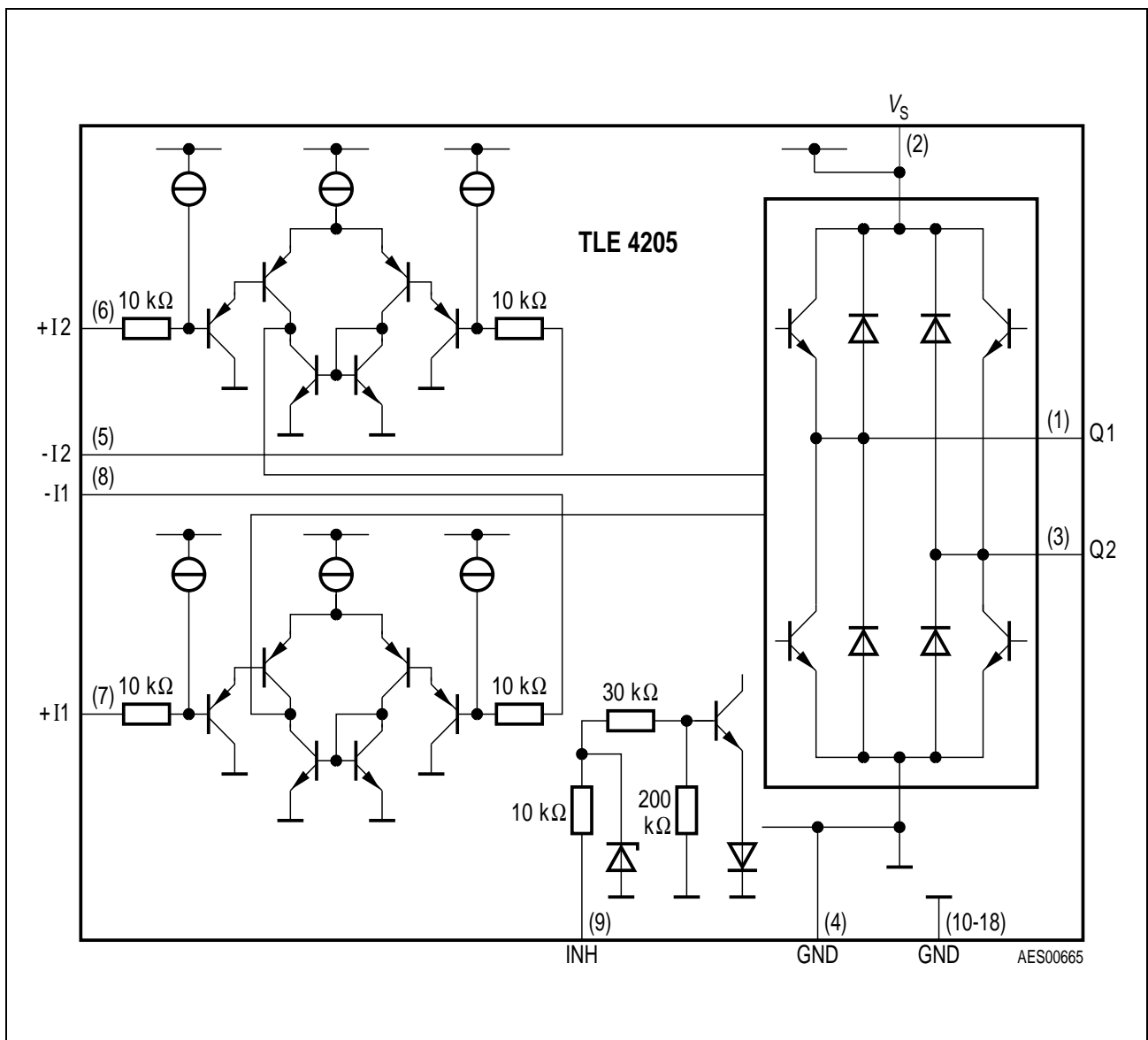


Figure 3 Circuit Diagram

Absolute Maximum Ratings

$T_j = -40$ to 150 °C

Parameter	Symbol	Limit Values		Unit	Remarks
		min.	max.		
Supply voltage	V_S	- 0.3	45	V	-
Differential input voltage	V_{ID}	-	$\pm V_S$	V	ΔV_{6-5} or ΔV_{7-8} TLE 4205 ΔV_{8-9} or ΔV_{10-11} TLE 4205 G
Output current	I_Q	- 1	1	A	-
Supply current	I_S	2.5	3	A	-
Ground current	I_{GND}	- 3	2.5	A	I2
Input voltage	V_I	- 15	V_S	V	$V_5; V_6; V_7; V_8$ TLE 4205 $V_8; V_9; V_{10}; V_{11}$ TLE 4205 G
Inhibit input	V_{Inh}	- 15	V_S	V	V_9 TLE 4205 V_{12} TLE 4205G
Junction temperature	T_j	-	150	°C	-
Storage temperature	T_{stg}	- 50	150	°C	-

Operating Range

Supply voltage	V_S	6	32	V	-
Case temperature	T_C	- 40	105	°C	$P_{Dmax} = 3$ W; DIP
Case temperature	T_C	- 40	95	°C	$P_{Dmax} = 3$ W; SO
Thermal resistance junction - ambient	$R_{th JA}$	-	60	K/W	TLE 4205
junction - case	$R_{th JC}$	-	15	K/W	TLE 4205
Thermal resistance junction - ambient	$R_{th JA}$	-	65	K/W	TLE 4205 G
junction - case	$R_{th JC}$	-	20	K/W	TLE 4205 G

Outputs pin 1 (19) and pin 3 (1) short-circuit proof to GND at $V_S \leq 18$ V for TLE 4205 (TLE 4205G)

Characteristics

$6\text{ V} < V_S < 18\text{ V}; -40\text{ °C} < T_j < 150\text{ °C}$

Parameter	Symbol	Limit Values			Unit	Test Condition
		min.	typ.	max.		

General

Open-circuit current consumption	I_S	–	10	30	mA	active, both outputs high
Open-circuit current consumption	I_S	–	10	100	μA	inhibit
Turn-ON dead time ref. to $V_{9\text{ OFF/ON}}$	$t_{d\text{ ON}}$	–	10	20	μs	$ I_{1,3} < 1\text{ A}$ TLE 4205 $ I_{1,19} < 1\text{ A}$ TLE 4205 G
Turn-OFF dead time ref. to $V_{9\text{ OFF/ON}}$	$t_{d\text{ OFF}}$	–	10	20	μs	$ I_{1,3} < 1\text{ A}$ TLE 4205 $ I_{1,19} < 1\text{ A}$ TLE 4205 G
Open-loop gain	G_{VO}	50	80	–	dB	$f = 500\text{ Hz}$

Inputs

Input zero voltage	V_{IO}	– 7.5	–	7.5	mV	$R_S = 10\text{ k}\Omega$;
Input-voltage drift	$\Delta V_{\text{IO}}/\Delta T$	–	20	30	$\mu\text{V/K}$	–
Input zero current	I_{IO}	– 75	–	75	mA	–
Input current	I_{I}	– 300	–	300	nA	–
Input-current drift	$\Delta I_{\text{I}}/\Delta T$	–	–	5	nA/K	–
Input common-mode range, positive	V_{IC}	–	–	$V_S - 2$	V	–
Input common-mode range, negative	V_{IC}	–	–	– 0.5	V	–
Power-supply rejection ratio	$PSSR$	–	–	200	$\mu\text{V/V}$	$R_S = 10\text{ k}\Omega$;
Common-mode rejection ratio	$CMRR$	70	80	–	dB	–

Characteristics (cont'd)

$6\text{ V} < V_S < 18\text{ V}; -40\text{ }^\circ\text{C} < T_j < 150\text{ }^\circ\text{C}$

Parameter	Symbol	Limit Values			Unit	Test Condition
		min.	typ.	max.		

Outputs

Saturation voltage	$V_{\text{Sat U}}$	–	1.35	1.5	V	$I_Q = -0.6\text{ A}$
Saturation voltage	$V_{\text{Sat L}}$	–	0.8	1.2	V	$I_Q = 0.6\text{ A}$
Forward voltage of free-wheeling diode	V_{FU}	–	1	1.5	V	$I_F = 0.6\text{ A}$
Forward voltage of free-wheeling diode	V_{FL}	–	1	1.5	V	$I_F = 0.6\text{ A};$
Slew rate of V_Q	dV_Q/dt_r	–	0.5	–	V/ μs	–

Inhibit Input

Switching threshold high	V_{IH}	2	–	–	V	–
Switching threshold low	V_{IL}	–	–	0.8	V	–
H-input current	I_{IH}	–	100	–	μA	$V_9 = 5\text{ V}$
L-input current	I_{IH}	–	0	–	μA	$V_9 = 0\text{ V}$

Note: $V_{\text{Sat U}}$ = upper
 $V_{\text{Sat L}}$ = lower

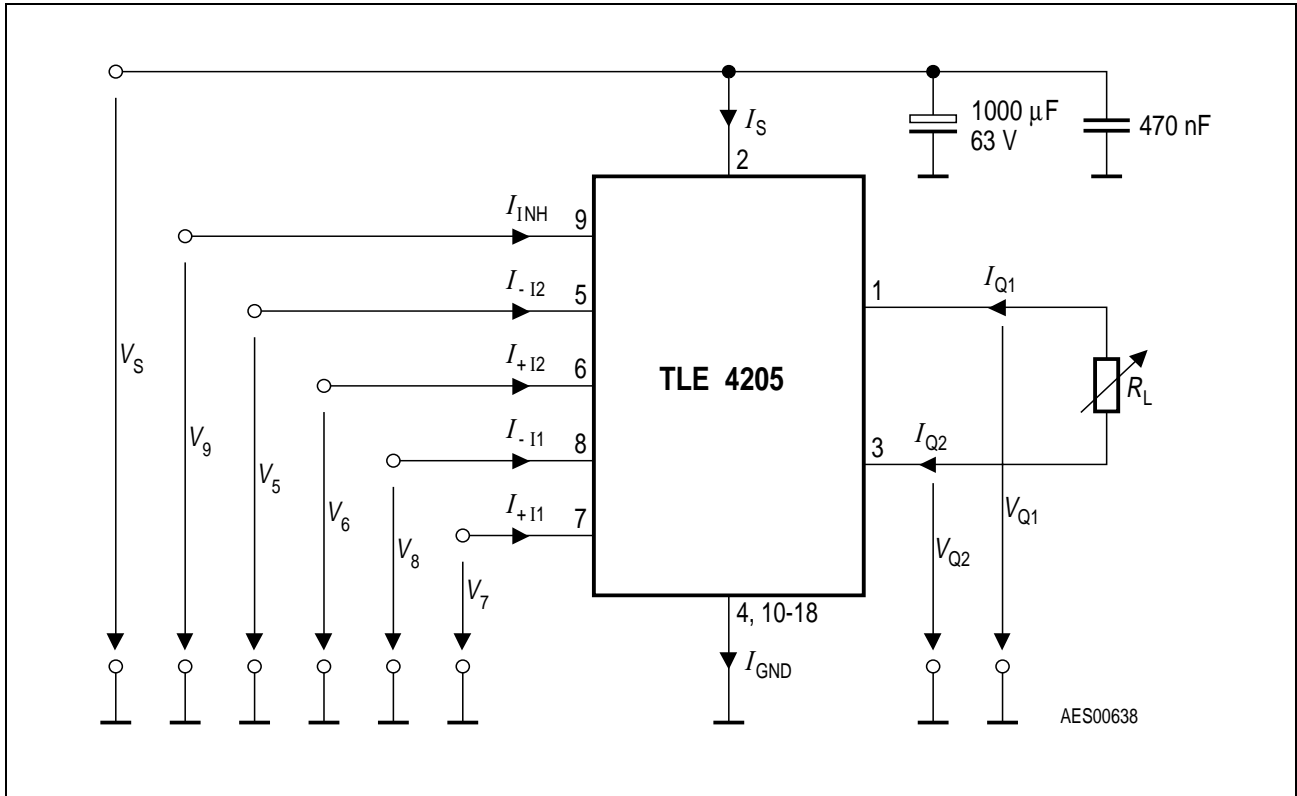
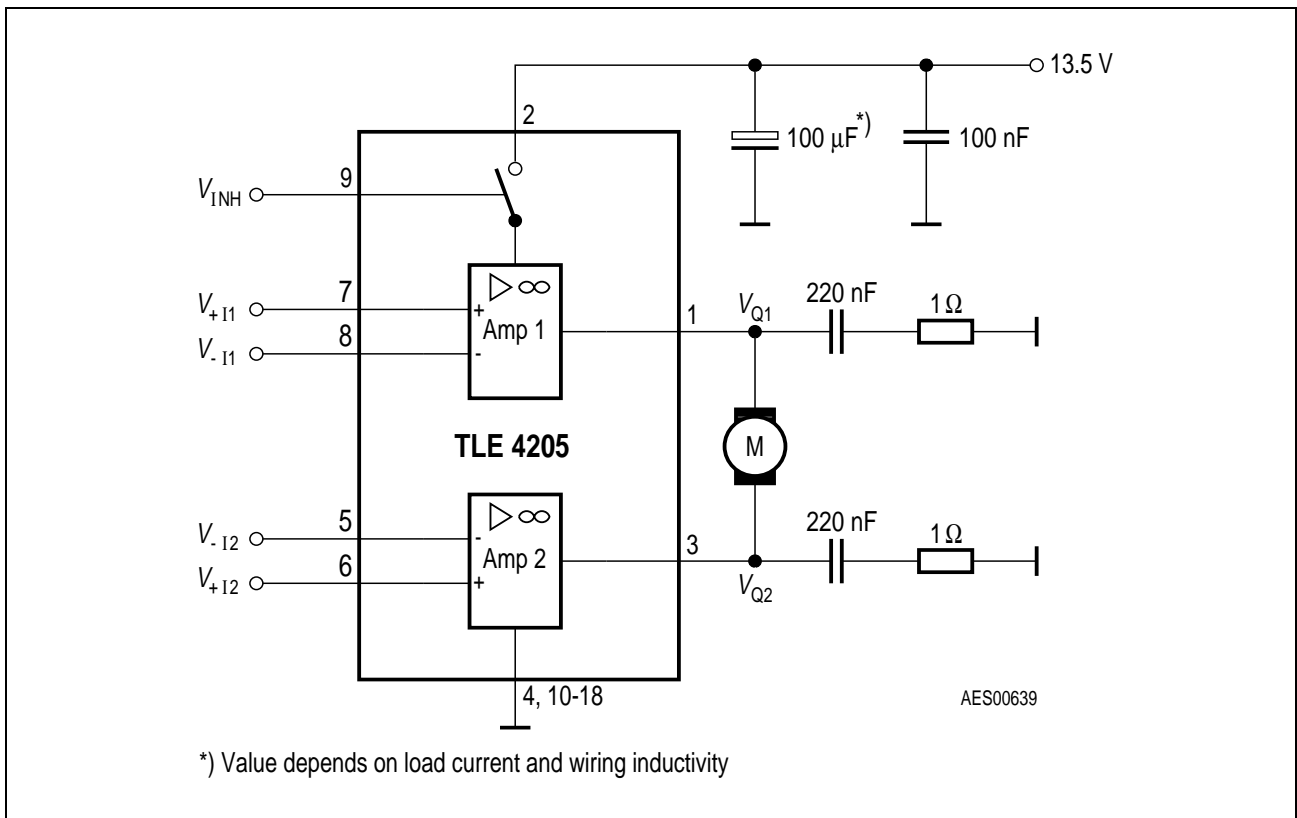


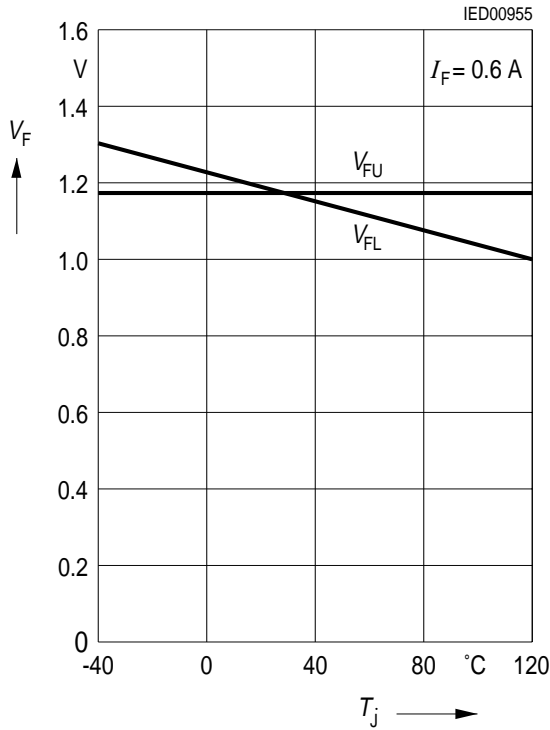
Figure 4 Test Circuit



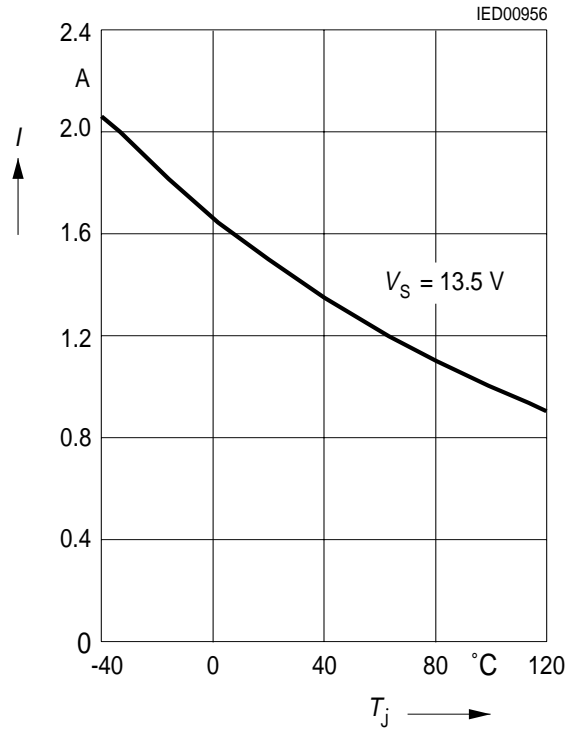
*) Value depends on load current and wiring inductivity

Figure 5 Application Circuit

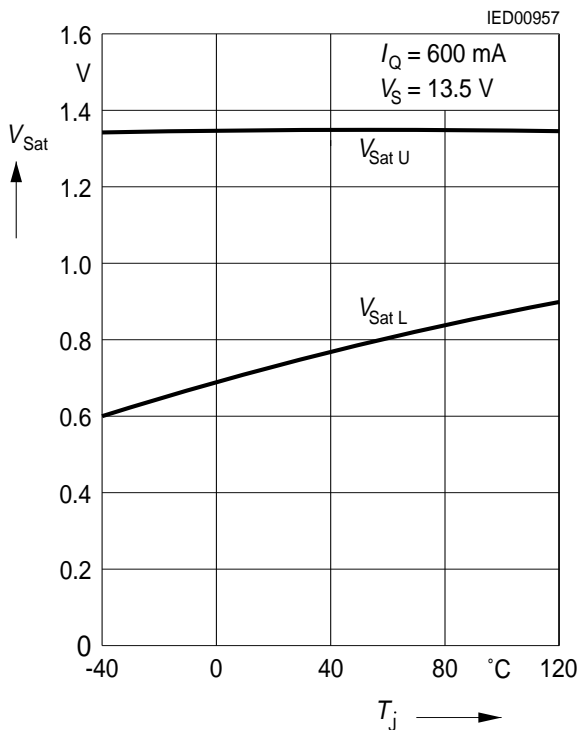
Forward Voltage of the Free-Wheeling Diodes versus Junction Temperature



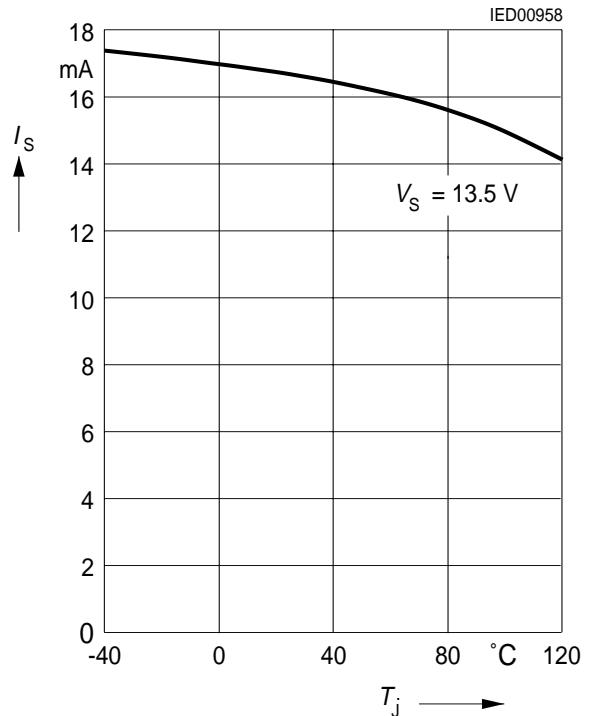
Start Point of the SOA-Protection Circuit versus Junction Temperature



Saturation Voltage versus Junction Temperature



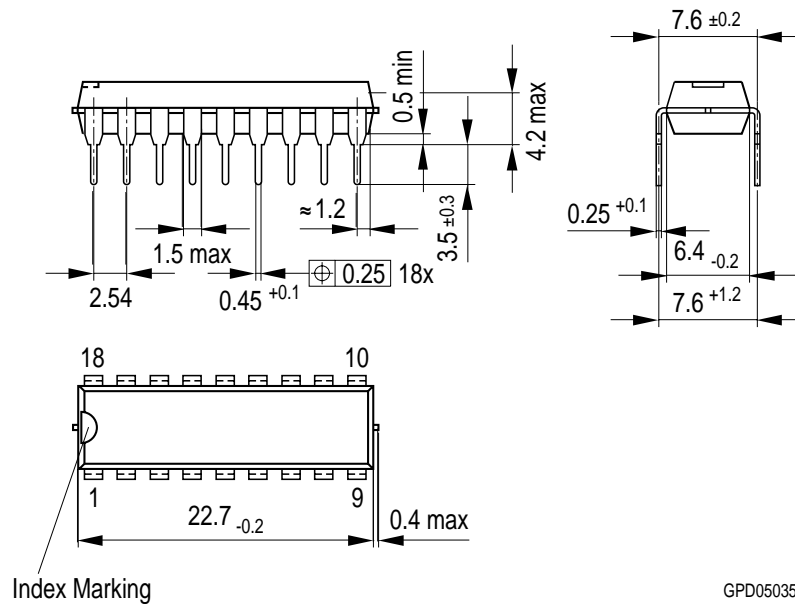
Current Consumption versus Junction Temperature



Package Outlines

P-DIP-18-3

(Plastic Dual In-line Package)

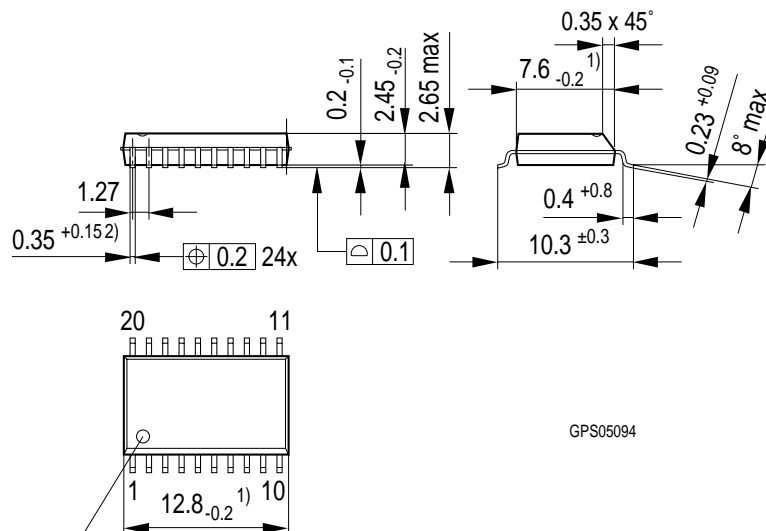


Sorts of Packing

Package outlines for tubes, trays etc. are contained in our Data Book "Package Information".

Dimensions in mm

P-DSO-20-6 (Plastic Dual Small Outline Package)



Index Marking

- 1) Does not include plastic or metal protrusions of 0.15 max per side
- 2) Does not include dambar protrusion of 0.05 max per side

Sorts of Packing

Package outlines for tubes, trays etc. are contained in our Data Book "Package Information".

SMD = Surface Mounted Device

Dimensions in mm