



SR-38 Series

ROCKER SWITCH



SR-38A



SR-38B



SR-38C



SR-38M



SR-38N



SR-38 Cap

Specifications:

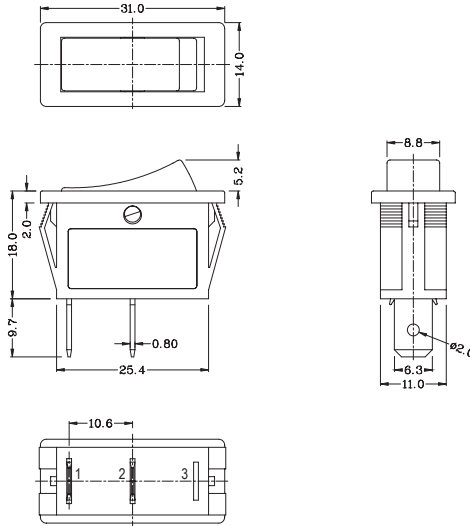
10(3)A 250VAC T125/55 5E4
 16(4)A 250VAC T125/55
 *10(8)A 250VAC T125/55



10.1A 250VAC T125
 1.6A 125VAC

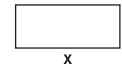


E199326



Suggested panel hole size

Panel thickness	X
0.75-1.25	28.3
1.25-2.0	28.5
2.0-3.0	28.7



SR-38

A — L — T — BK — BK — 4 — 0 — 0 — 0 — 00 —

Function	Current	Terminal Type	Base Color	Button Color	Button Type	Printing	Color of Printing	Lamp Voltage	Small Lens Color	Internal Use Only
A ON-OFF	L 16(4)A 250VAC		BK Black	BK Black	2 (For N function only)	0 None	0 None	0 None	00 None	
B ON-ON	10(3)A 250VAC 5E4		WT White	WT White		1	1 White	1 12V	RE Red	
C ON-OFF-ON	16A 125VAC		GE Grey	GE Grey	3 (For C,M,X functions only)	2	2 Black	3 110V	GR Green	
D (ON)-OFF			RE Red	RE Red		3	3 Red	4 220V	BL Blue	
E ON-(OFF)			GR Green	GR Green	4 (For A,B,D,E,F functions only)	4	4 Blue		OR Amber	
F ON-(ON)			BL Blue	BL Blue		5	5 Yellow			
M ON-OFF-(ON)			OR Amber	OR Amber		6				
X (ON)-OFF-(ON)			YE Yellow	YE Yellow		7				
N ON-OFF w/lamp (Unswitched neutral)						8				
						9				
						A				
						D				
						H				

*For this option, please call factory for details