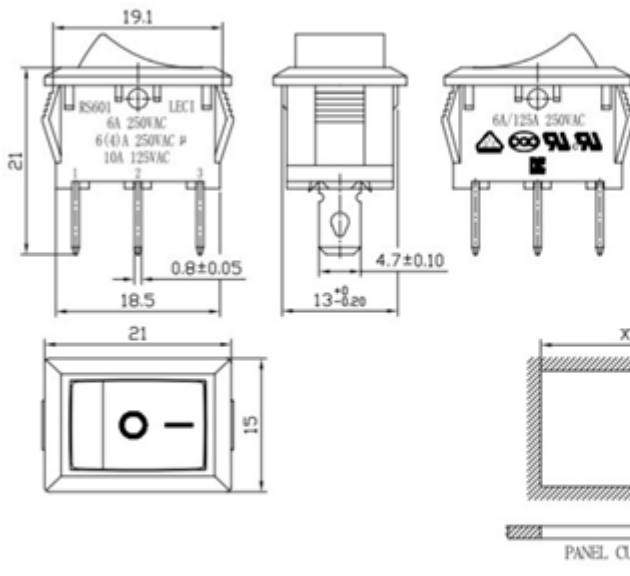


# RS601 跷板开关ROCKER SWITCHES



Rating:  
 OIC 6A 250V AC T85  
 6A/125A 250VAC  
 UL cUL 10A 125V AC/6A 250V AC  
 VDE 6A/4A 250V AC T85/55  
 KC 6A/4A 250V AC

Terminal Strength: >80N  
 Electrical life: >10000 cycles  
 Withstand Voltage: Withstand Voltage:1000V Inis  
 Terminals to Bottom:3000V Inis  
 Leakage Current: 1mA  
 Current resistance: <5mΩ(initial)  
 Insulation resistance: >100MΩ

PANEL CUT-OUT		
Z	Y	X
0.70~1.25	12.90~13.10	18.9~19.1
1.25~2.00	12.90~13.10	19.1~19.2
2.00~3.00	12.90~13.10	19.3~19.4

A4				普通公差:	<b>LECI 乐磁电子有限公司</b>							
A3				COMMON TOLERANCE:	<b>LECI ELECTRONICS CO.,LTD</b>							
A2				UP TO 5	±0.20	单位	mm	投影	品名	跷板开关	比例	1:2
A1				ABOVE 5 TO 30	±0.30	绘图	朱文林	校对	吴路方	型号	RS601	
REV.	DATE	REVISION DESCRIPTION	ISSUE	ANGULAR	±5°	日期	2012.11.14	核准	周培雷	图号		