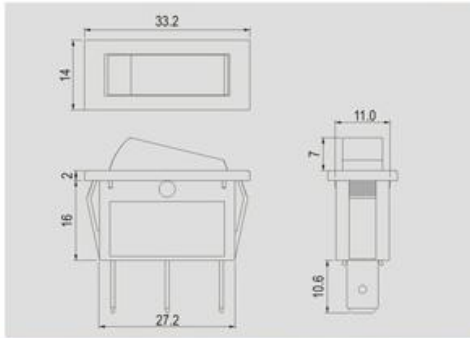


# R13-70.91



Rating	
16A 125V AC	1/8HP 125VAC
10A 250V AC	1/3HP 250VAC
Contact resistance	
50mΩ Max	
Insulation resistance	
DC 500V 100MΩ Min	
Dielectric strength	
AC 1500V 1 minute	
Cut-out	

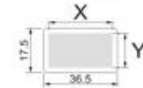
## FEATURES

- \* MATERIAL: Frames are nylon (UL flame: 94V-2). Terminals are silver plated brass.
- \* Illuminated actuators are molded in PC, available with red, amber and green colors.
- \* Snap-in mounting, easy to install switch into panel.
- \* The dimension of frame is 33.2\*14, for shorter dimension of frame 31.5\*14, please refer to page 1-23, item NO. R13-221.
- \* SO terminal is not available for function H & I.



Terminal	X	Y
0.75-1.25	30.2±0.1	11.2±0.1
1.25-2	30.4±0.1	11.2±0.1
2-3	30.8±0.1	11.2±0.1

## Cut-out for X8 ROCKER



Terminal	X	Y
0.75-1.25	30.2±0.1	11.2±0.1
1.25-2.0	30.4±0.1	11.2±0.1
2.0-3.0	30.8±0.1	11.2±0.1



## Ordering number instruction

R13- [ ] - [ ]

ROCKER	FUNCTION	TERMINAL
7 0	<b>Different position (動作特性不同)</b> <b>A</b> 2P SPST <b>C</b> 3P SPDT <b>D</b> 3P SPDT	0 1 .250" SQ 0 5 SO
9 1	<b>Illuminated (帶燈)</b> <b>B</b> 3P SPST (NEON) 125VAC 33KΩ / 250VAC 150KΩ <b>B F</b> 3P SPST (NEON) 125VAC 33KΩ / 250VAC 150KΩ	
	<b>Momentary (彈回)</b> <b>F</b> 2P SPST <b>H</b> 3P SPDT <b>I</b> 3P SPDT	
	<b>Waterproof (防水)</b> <b>A 8</b> 2P SPST <b>B 8</b> 3P SPST (NEON) 125VAC 33KΩ / 250VAC 150KΩ <b>B 8 F</b> 3P SPST (NEON) 125VAC 33KΩ / 250VAC 150KΩ <b>C 8</b> 3P SPDT <b>D 8</b> 3P SPDT <b>F 8</b> 2P SPST	

