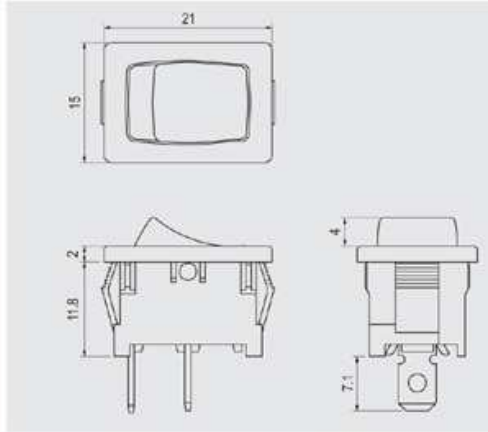


R13-66



Rating	
16A 125V AC	1/3HP 125V AC
10A 250V AC	1/2HP 250V AC
Contact resistance	
50mΩ Max	
Insulation resistance	
DC 500V 100MΩ Min	
Dielectric strength	
AC 1500V 1 minute	
Cut-out	

	X	
		Y
$\frac{E}{2}$	X	Y
0.75-1.25	19.2±0.1	13.0±0.1
1.25-2	19.4±0.1	13.0±0.1
2-3	19.8±0.1	13.0±0.1

FEATURES

- * MATERIAL: Frames are nylon (UL flame: 94V-2). Terminals are silver plated brass.
- * Illuminated actuators are molded in PC, available with red, amber and green colors.
- * Snap-in mounting, easy to install switch into panel.
- * Waterproof cover is optional.
- * The only difference between R13-66BW and R13-66B6W is the style of rocker.



	X	
		Y
$\frac{E}{2}$	X	Y
0.75-1.25	19.4±0.1	13.0±0.1
1.5-2.5	19.8±0.1	13.0±0.1



FUNCTION			TERMINAL
A 2P SPST ON	B 6 W 3P SPST (ILLUMINATED) 125V AC 33K Ω / 250V AC 150K Ω ON	G 3P SPDT ON (ON)	0 2 .187" SQ 0 5 SO 0 9 PC 1 0 PC ANGLE 1 2 SO
A 5 2P SPST ON	B 8 W 3P SPST (ILLUMINATED) 125V AC 33K Ω / 250V AC 150K Ω ON OFF	H 3P SPDT ON OFF (ON)	
A 8 2P SPST ON	C 3P SPDT ON ON	I 3P SPDT (ON) OFF (ON)	
B W 3P SPST (ILLUMINATED) 125V AC 33K Ω / 250V AC 150K Ω ON OFF	D 3P SPDT ON OFF ON	L 4P SPST (LED) LED Rating @10mA V _f =1.85V ON OFF	
B 2 W 3P SPST (ILLUMINATED) 125V AC 33K Ω / 250V AC 150K Ω ON OFF	E 2P SPST (OFF) ON	L P 4P SPST (LED) LED Rating @10mA V _f =1.85V ON OFF	
B 4 W 3P SPST (ILLUMINATED) 125V AC 33K Ω / 250V AC 150K Ω ON OFF	F 2P SPST (ON) ON OFF	* () =momentary	