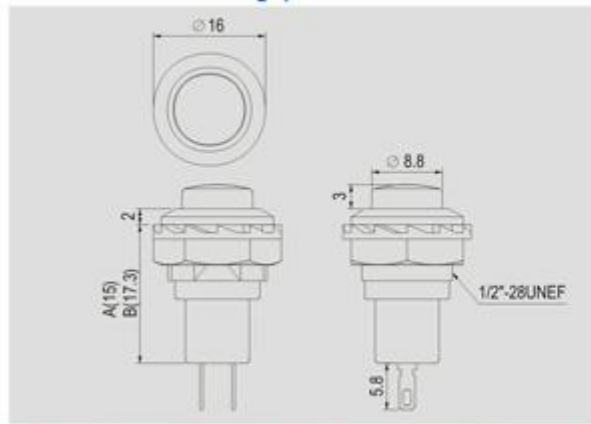


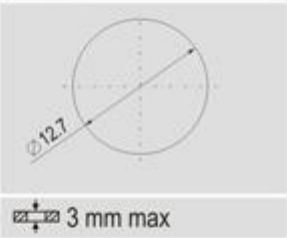
* The specification subject to change without notice." "The drawing is for reference only.

R13-502

Screw Type



Rating	3A 125V AC 1.5A 250V AC
Contact resistance	50mΩ Max
Insulation resistance	DC 500V 100MΩ Min
Dielectric strength	AC 1000V 1 minute
Cut-out	



FEATURES

- * MATERIAL: Frames are nylon (UL flame: 94V-2). Terminals are silver plated brass.
- * M types are metal frames, nickel plated brass.
- * Mounted by nut.

R13-502

BODY	FUNCTION		TERMINAL
P Plastic Body 	A 	C <p>(Only for R13-502MC)</p> <p>* () =momentary</p>	0 5 SO
M Metal Body 	B 		

