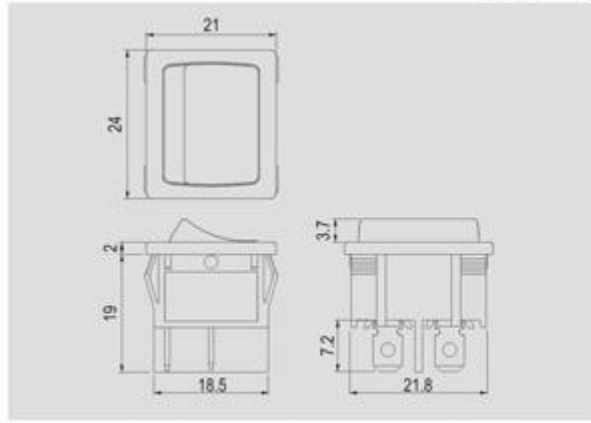


* The specification subject to change without notice." "The drawing is for reference only.

R13-33



Rating
10A 125V AC 6A 250V AC
Contact resistance
50mΩ Max
Insulation resistance
DC 500V 100MΩ Min
Dielectric strength
AC 1500V 1 minute
Cut-out

FEATURES

- * MATERIAL: Frames are nylon (UL flame: 94V-2). Terminals are silver plated brass.
- * Illuminated actuators are molded in PC, available with red, amber and green colors.
- * Snap-in mounting, easy to install switch into panel.

	X	Y
	X	Y
0.75-1.25	19.4±0.1	22.2±0.1
1.25-2	19.6±0.1	22.2±0.1
2-3	20.2±0.1	22.2±0.1

Ordering number instruction

R13-33 -

FUNCTION		TERMINAL
Different position (動作特性不同)		0 2 .187" SQ
A	C	0 5 SO
<p>4P DPST</p>	<p>6P DPDT</p>	
Illuminated button (帶燈)		
B	Momentary (彈回)	
<p>4P DPST (NEON) 125VAC 33KΩ / 250VAC 150KΩ</p>	H	I
	<p>6P DPDT</p>	<p>6P DPDT</p>