





Rating	10(4)A 250V AC   16A 125V AC 10A 250V AC  	Mounting Hole	
Contact Resistance	50m ohm Max.		
Insulation Resistance	DC 500V 100M ohm Min.	Panel Thickness: 2.0~3.0	
Dielectric Strength	AC 1500V 1 minute	Panel Thickness: 0.7~3.0	
Operation Temperature	-20°~85°		
Operation Force	800g±200g		
Switch Function	4P DPST ON-OFF		

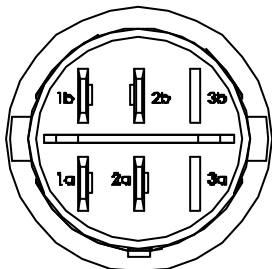
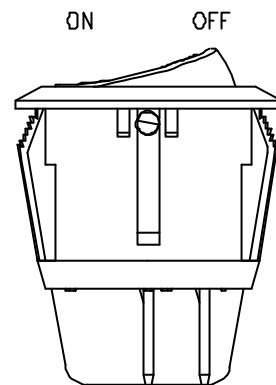
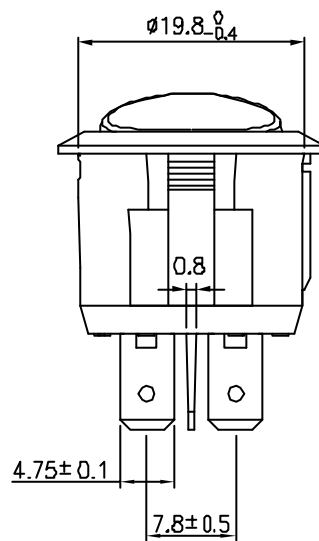
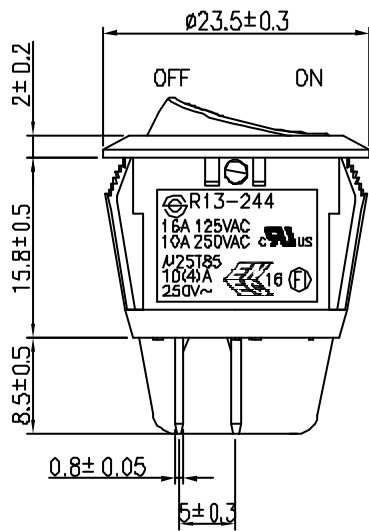
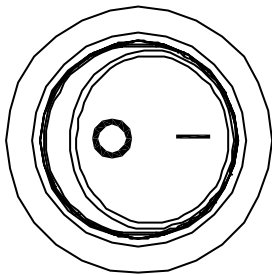
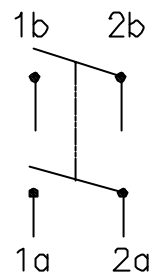
*Material

Frame: Nylon#66, Black

Actuator: Nylon#66, Black

Terminal: Copper alloy, Silver plated

Diagram



C8\R13\R13-244A-02(1822604)_1

07/03/'07	黃衛東	Update the frame's engraving			△
Date	Name	Description			NO
Drawn	Checked	Approved	SCI BOM NO.	1822604	Model Name ROCKER SWITCH
黃衛東	李元生	李景煌	Customer No.		Model No. R13-244A-02
07/03/'07	08/28/'07	09/28/'07	Unit	mm	REV. 1

 SHIN CHIN INDUSTRIAL CO., LTD.