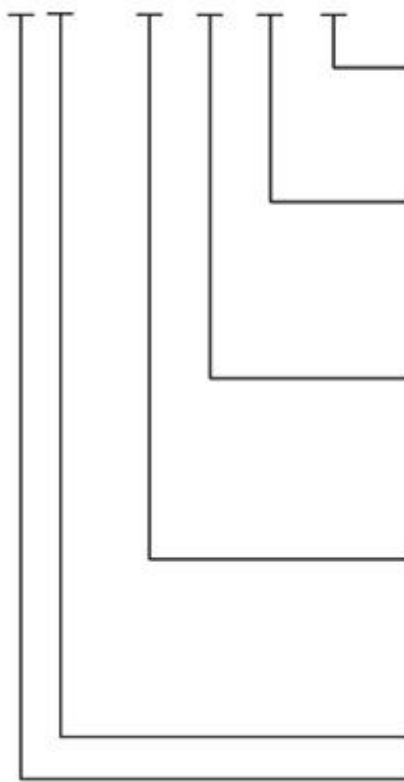


- Adopt thermoplastic crust, compact construction, and Simple installation;
- May install the protecting cap, can against oil and dustproof;
- Hand reset and automatic reset for flexible choice;
- Widely used in Electrical equipment, automatic machine, communication equipment and instrument, electro motion tool etc.

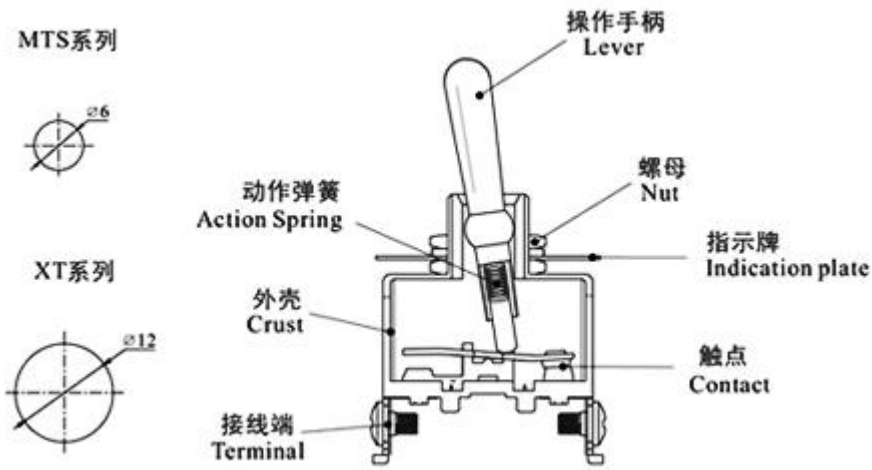
◆ Model & Meanings

X T - □ □ □ □



- 复位形式
- : 手动复位 Hand reset
- F: 自动复位 Automatic reset
- 端子形式 Terminal Form
- A: 快速连接端子 Quick connect terminal
- B: 螺钉固定端子 Screw terminal
- C: 焊接端子 Solder terminal
- 接点形式 Contact Form
- 1: 单投型 Single-throw ON-OFF
- 2: 双投型 Double-throw ON-ON
- 3: 双投中间停型 Double-throw middle stop ON-OFF-ON
- 极数 Poles
- 1: 单极型 Single-pole
- 2: 双极型 Double-pole
- 3: 三极型 Three-pole
- 钮子开关 Toggle switch
- 企业代号 Company code

◆ Mounting Holes & Product Structure



◆ Specification

Item	Data	
Rating load	15A/250VAC, 25A/250VAC MTS: 6A/125, 250V	
Operating frequency	30times/min	
Insulation resistance	100MΩ(Above)DC500V	
Contact resistance	25MΩ(initial value)	
Withstand voltage	Non-connection wire	1000VAC
	Every terminal	1500VAC
Vibration	Misoperation	10-55Hz Amplitude 1.5mm
Impact	Durable	1000m/s ²
	Misoperation	300m/s ²
Life	Electrical	100,000above
	Mechanical	500,000above
Protection degree	IP40	
Operating temperature	-25~+80°C	
Operating humidity	<85%	

◆ Terminal Forms

