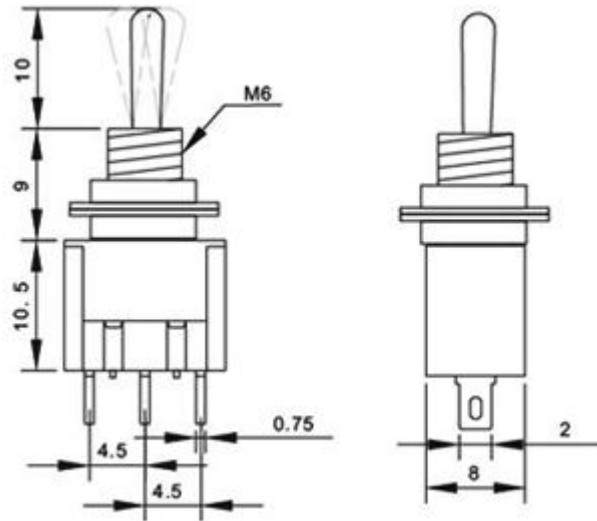


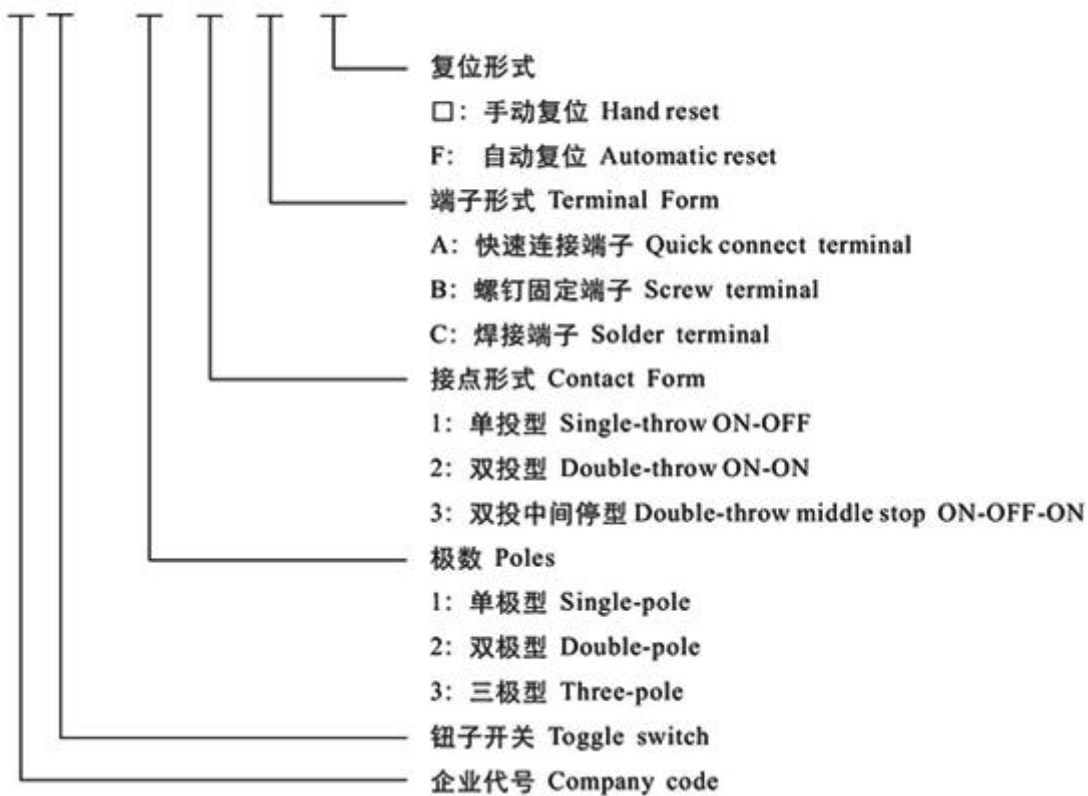
MTS-103



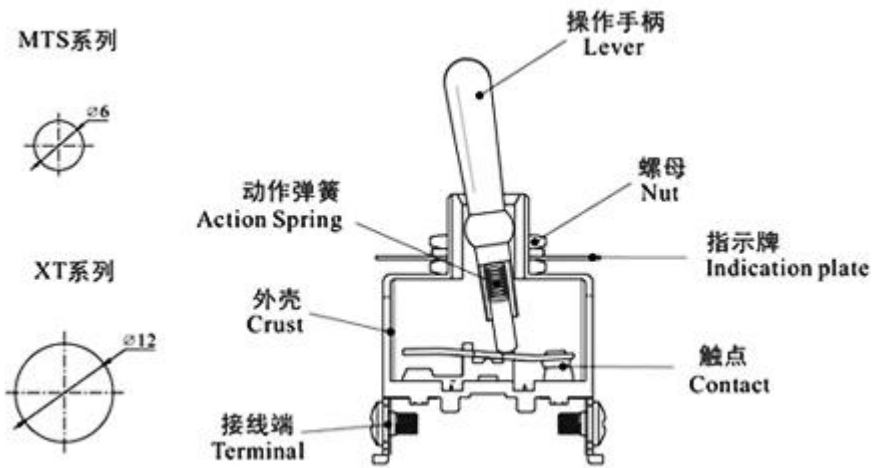
- Adopt thermoplastic crust, compact construction, and Simple installation;
- May install the protecting cap, can against oil and dustproof;
- Hand reset and automatic reset for flexible choice;
- Widely used in Electrical equipment, automatic machine, communication equipment and instrument, electro motion tool etc.

◆ Model & Meanings

X T - □ □ □ □



◆ Mounting Holes & Product Structure



◆ Specification

Item	Data	
Rating load	15A/250VAC, 25A/250VAC MTS: 6A/125, 250V	
Operating frequency	30times/min	
Insulation resistance	100M Ω (Above)DC500V	
Contact resistance	25M Ω (initial value)	
Withstand voltage	Non-connection wire	1000VAC
	Every terminal	1500VAC
Vibration	Misoperation	10-55Hz Amplitude 1.5mm
Impact	Durable	1000m/s ²
	Misoperation	300m/s ²
Life	Electrical	100,000above
	Mechanical	500,000above
Protection degree	IP40	
Operating temperature	-25~+80°C	
Operating humidity	<85%	

◆ Terminal Forms

