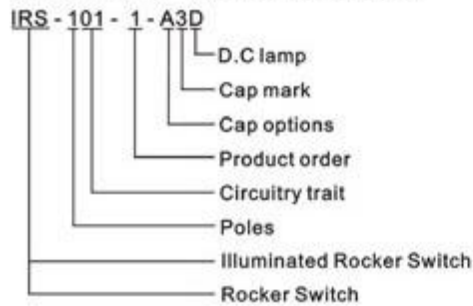


Detail of Products

Ordering Information:



Specification:

1. Rating: 20A 125VAC; 15A 250VAC; 35A 12VAC
2. Contact Resistance: 35mΩ max.
3. Insulation Resistance: 500VDC 100MΩ min.
4. Dielectric strength: 1500VAC, 1Minute
5. Operating Temperature: -30℃~+80℃
6. Electrical Life: 10,000 Cycles

Circuitry trait:

01	ON	-	OFF
11	(ON)	-	OFF
02	ON	-	ON
03	ON	OFF	ON
23	(ON)	OFF	(ON)

() : 回弹指示 Indicates Momentary

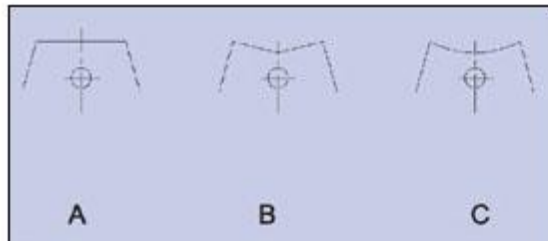
Cap color:

红 Red	白 White
绿 Green	黑 Black
桔黄 Orange	黄 Yellow
兰 Blue	

Base color:

白 White
黑 Black
灰 Gray
兰 Blue

Cap options:



Cap marking:

