

AYZ Slide Switch for SMT



- The AYZ is a slide switch for SMT (Surface Mounting Technology). With two switching positions it needs a space of only 3.5×7.2 (0.138×0.295). Its height of 1.5 mm (0.0591) is extremely low.
- 4 types are available
 - SPDT: single pole, single throw
 - DPDT: double pole, double throw
 - SP3T: single pole, three times throw
 - DP3T: double pole, three times throw
- It is delivered on reels of 4000 pieces
- The contact material is silver and the switching mode is non-shorting, the shorting mode is available on request.
- 2 actuating versions:
SPDT and SP3T: vertical lever
DPDT and DP3T: horizontal lever

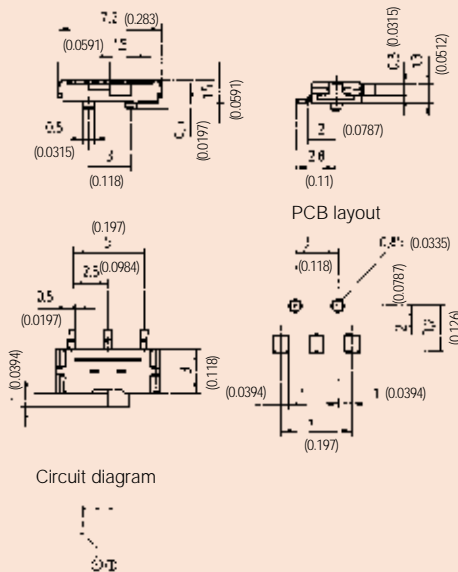
Construction	
Number of switching positions	2 or 3
Number of switching combinations	SPDT 1×2; DPDT 2×2; SP3T 1×3; DP3T 2×3
Mode of switching	Non-shorting (U)
Terminals	Gullwing type
Mounting	Soldering, SMT
Electrical data	
Max. switching power	1.2 VA
Max. switching voltage	12 V DC
Max. switching current	100 mA
Dielectric strength at 50 Hz/1 Min.	0.1 kV
Operating life without electrical load	> 10 000 operations
Contact resistance	< 80 mΩ
Insulation resistance	< 10 ⁸ Ω
Mechanical data	
Operation torque	150 cN ± 100 cN
Travel	1.5 (0.0591)
Further data	
Contact material	Silver
Max. soldering time and temperature	Hand soldering at 230°C ± 5°C, 3 s ± 0.5 s
Reflow soldering	Preheating: 140°C ± 10°C, 3 minutes heating 230°C ± 5°C, 5 s ± 1 s
Operating temperature	- 10°C to + 60°C
Storage temperature	- 20°C to + 70°C

Ordering code: see next page.

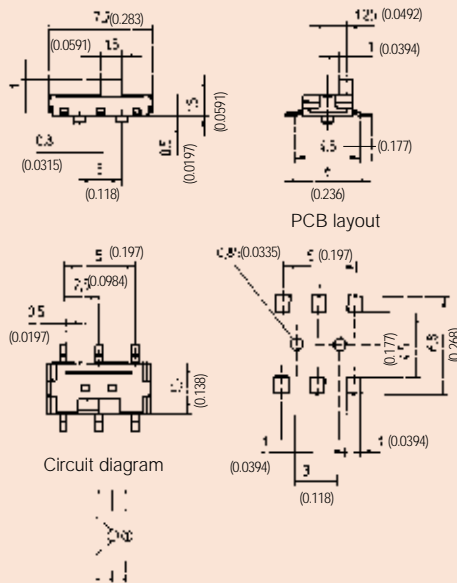
AYZ Slide Switch for SMT

Dimensional Drawings

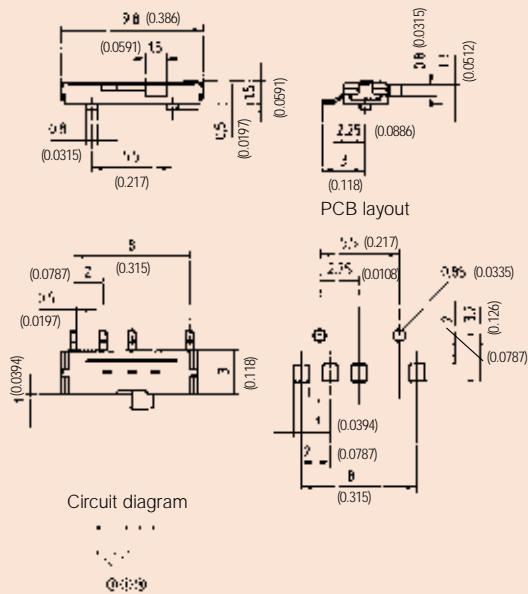
AYZ SPDT Single pole, 2 positions, vertical lever



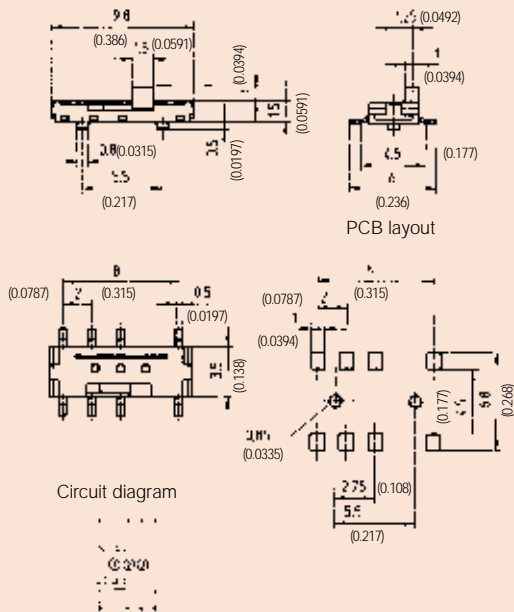
AYZ DPDT Double pole, 2 positions, horizontal lever



AYZ SP3T Single pole, 3 positions, vertical lever



AYZ DP3T Double pole, 3 positions, horizontal lever



Ordering code		1	2	3	4
		Example:			
1	Designation: AYZ	AYZ	0103	AG	RL
2	Switching combinations: 0102 = SPDT, 0202 = DPDT, 0103 = SP3T, 0203 = DP3T				
3	Contact material: AG = Silver				
4	Packaging: RL = Reel				