

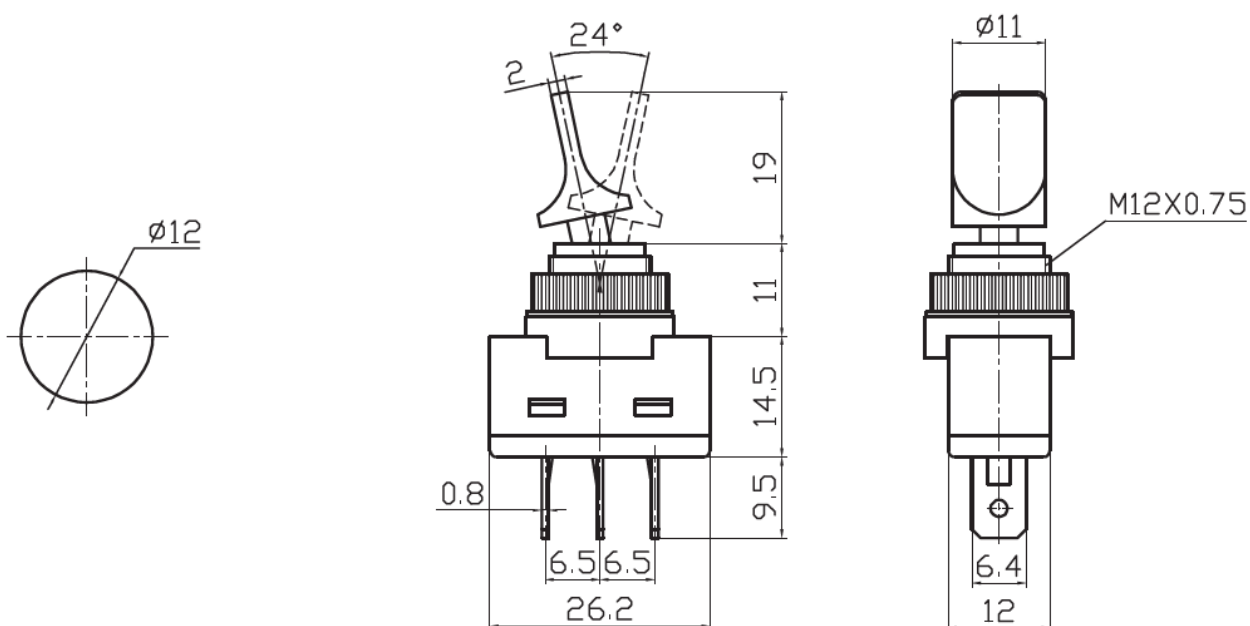
Automotive switch ASW-14D



Specification

1. Product Name : ASW-14D
2. Rating:20A 12VDC(with lamp)
3. Contact Resistance:50mΩ max
4. Insulation Resistance:500VDC 100MΩ min
5. Dielectric Strength:1500VAC 1Minute
6. Operating Temperature:-25°C~+85°C
7. Electrical Life:10000 Cycles
8. Circuitry trait:ON-OFF
9. Switch pin : SPST 3P
10. Certification system : TUV、 UL、 IOS9001:2015、 CE、 ENECandOther

Product details and dimensions



Certification system

The company has passed iso9001:2015 international quality management technology system certification, a sound quality management system, strong technical force, advanced testing equipment, the main products have been UL, ENEC, TUV, KEMA, CE and other safety certification, the materials used in the products have passed the SGS test, to ensure the compliance with the European RoHS directive products.



Product link : <https://www.jietongswitch.com/automotive-switch-asw-14d-products/>