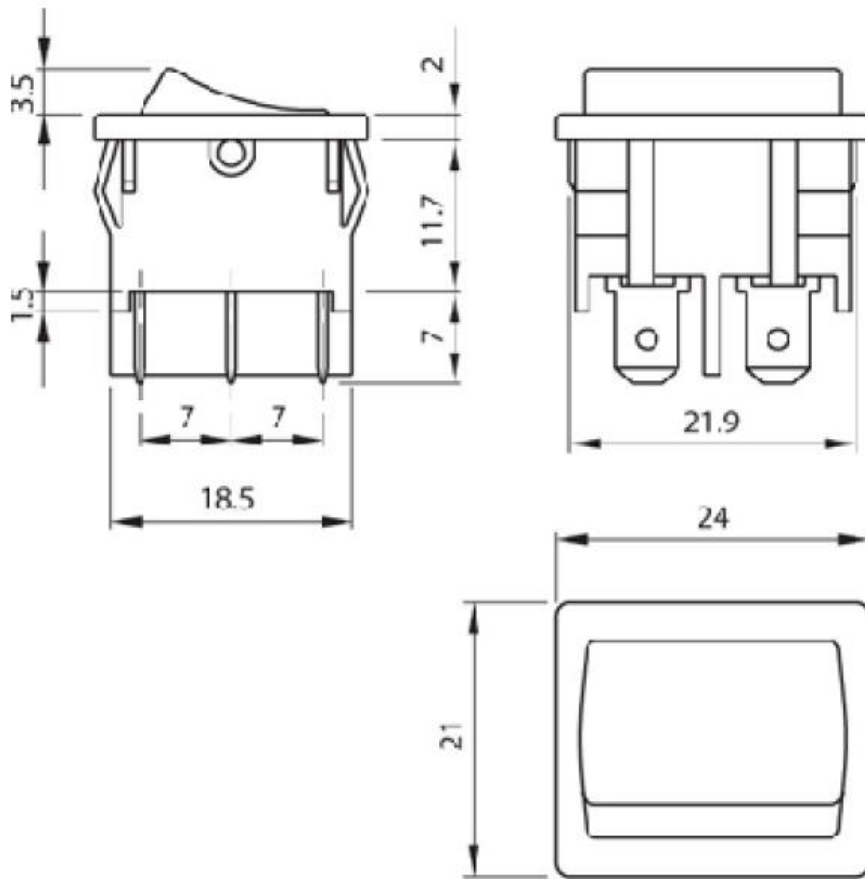
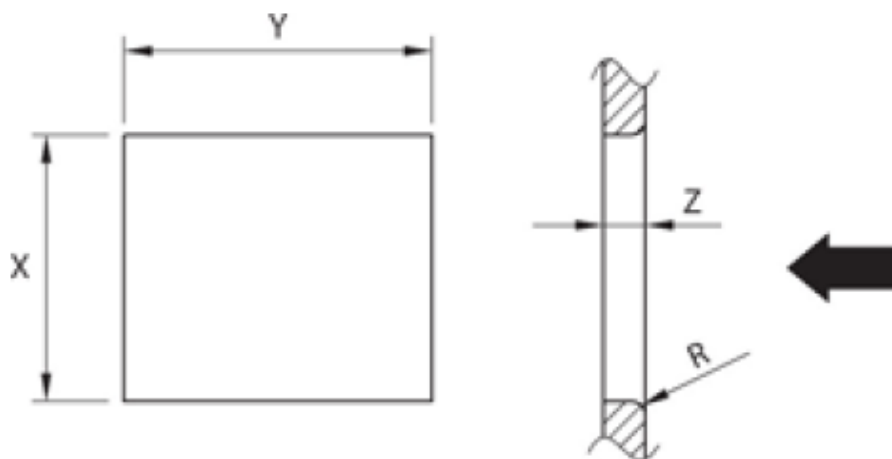


## Dimensions (mm)



## Cut out (mm)



Z	Y	X
0.7 ... 1.25	22.0 ± 0.1	19.0 <sup>+0.2</sup> <sub>0</sub>
1.25 ... 2.0	22.0 ± 0.1	19.3 <sup>+0.2</sup> <sub>0</sub>
2.0 ... 3.0	22.0 ± 0.1	19.6 <sup>+0.2</sup> <sub>0</sub>