

STK4024 II Series

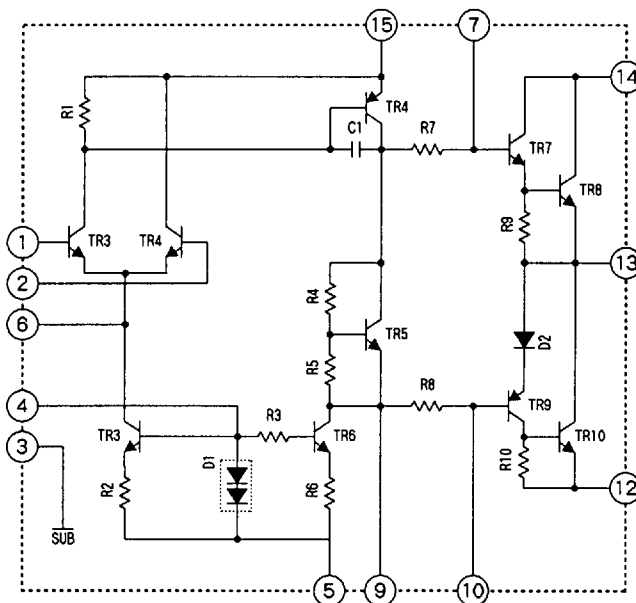
★1ch./1package, ± Power Supply
 ★20W~200W
 ★THD = 0.4%

Model	Maximum Ratings 最大定格	Recommended Operating Conditions 推奨動作条件		Operating Characteristics (Recommend Operating Conditions at Test Circuit) 動作特性 (Test Circuitにて 推奨動作条件による)			
	Vcc max [V]	Vcc [V]		Po max 1 RL=8Ω f=20~ 20kHz [W]	THD (V _G =40dB) [%]	Po max 2 RL=4Ω f=1kHz [W]	THD (V _G =40dB) [%]
		RL=8Ω	RL=4Ω				
*STK4024 II	±34.5	±23.0	±20.0	20	0.4	20	1.0
*STK4026 II	±38.0	±26.0	±22.0	25	0.4	25	1.0
*STK4028 II	±42.0	±27.5	±25.0	30	0.4	35	1.0
*STK4030 II	±45.0	±30.0	±27.0	35	0.4	40	1.0
*STK4032 II	±48.0	±32.0	±29.0	40	0.4	45	1.0
STK4034 II	±50.0	±33.5	±30.5	45	0.4	50	1.0
*STK4036 II	±52.0	±35.0	±31.0	50	0.4	55	1.0
*STK4038 II	±57.0	±38.0	±32.5	60	0.4	60	1.0
*STK4040 II	±60.0	±42.0	-	70	0.4	-	-
*STK4042 II	±65.0	±45.0	-	80	0.4	-	-
*STK4044 II	±73.0	±51.0	-	100	0.4	-	-
STK4046 II	±80.0	±54.0	-	120	0.4	-	-
*STK4048 II	±86.0	±59.0	-	150	0.4	-	-
STK4050 II	±95.0	±66.0	-	200	0.4	-	-

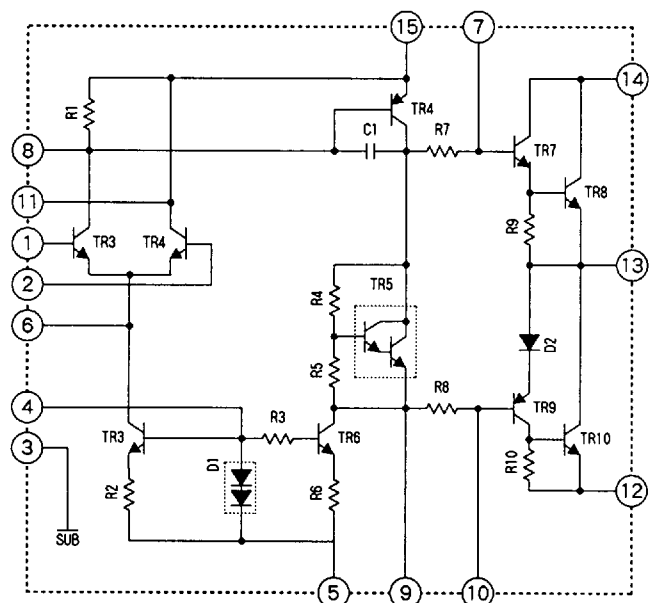
* Under mass production

■ Equivalent Circuit

Ⓐ STK4024 II ~ STK4040 II

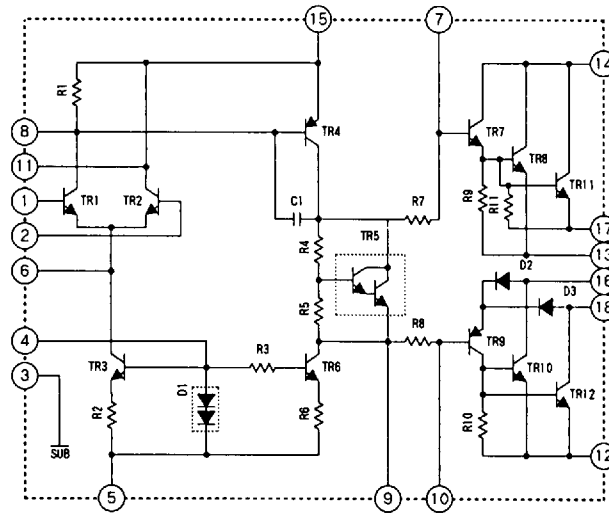


Ⓑ STK4042 II ~ STK4044 II



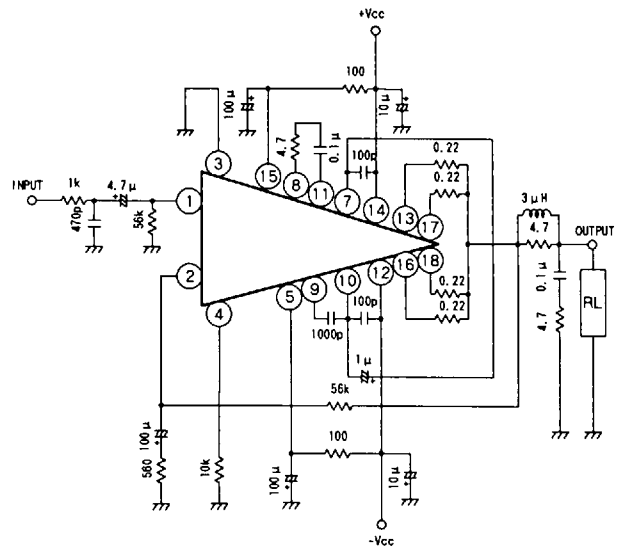
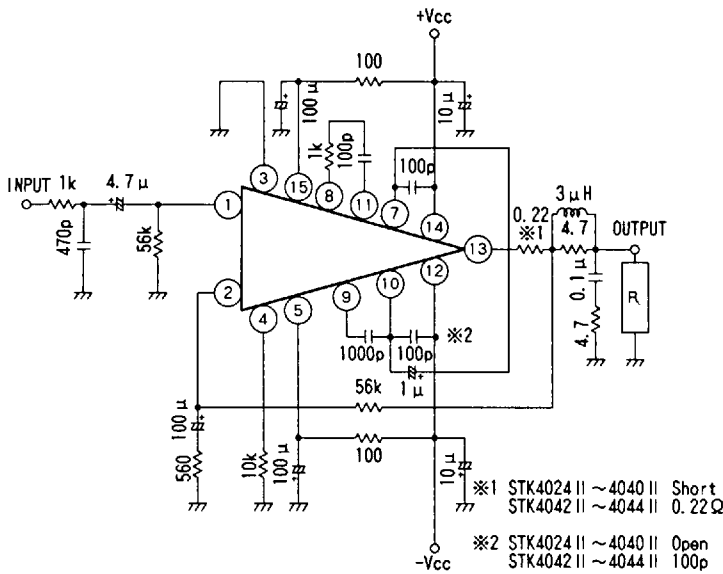
STK Audio Power Amplifier

©STK4046 II ~ STK4050 II

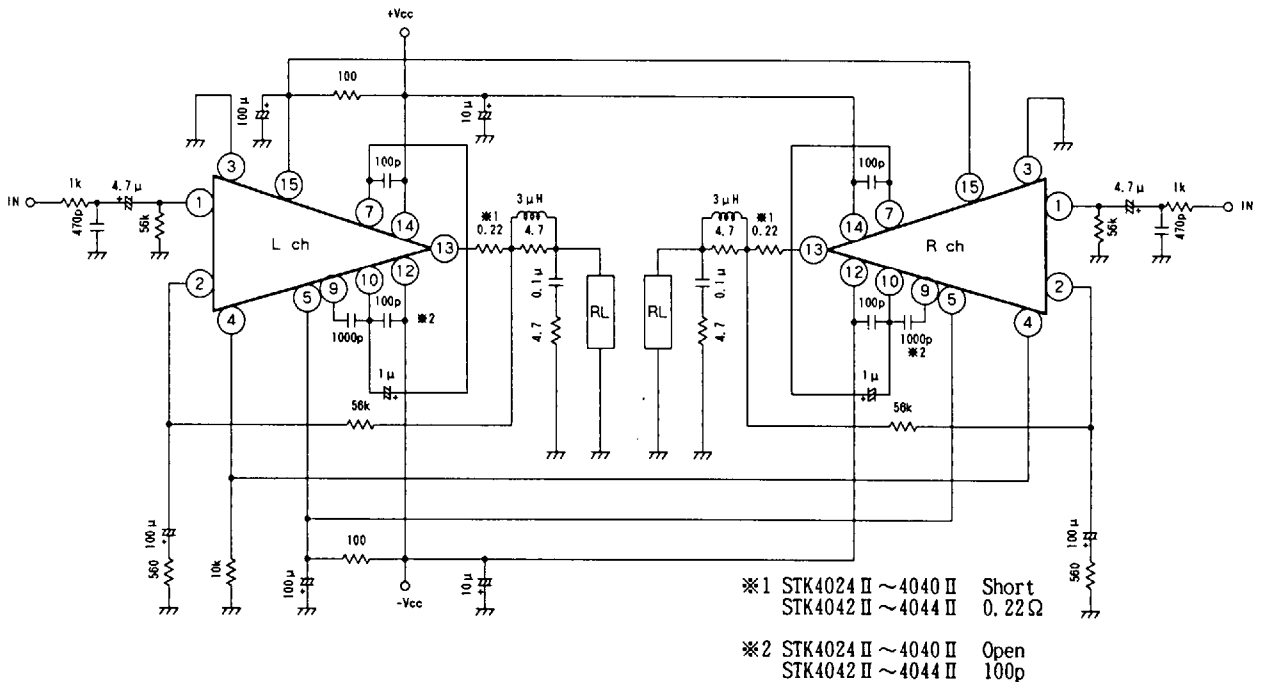


■ Test Circuit
STK4024 II ~ STK4044 II

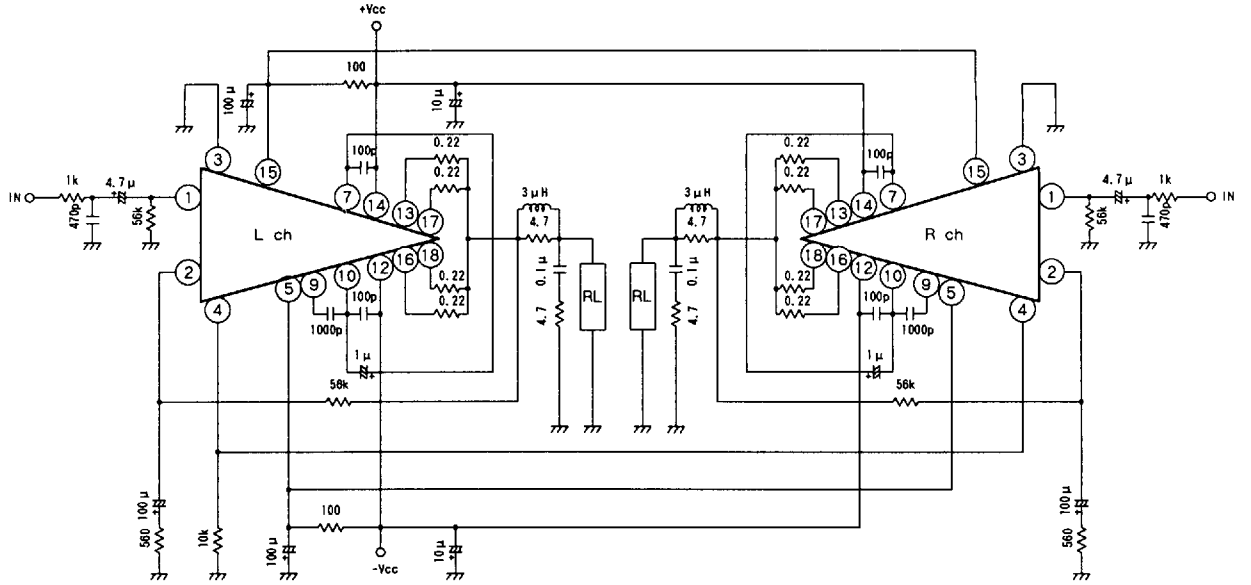
STK4046 II ~ STK4050 II



■ Application Circuit
(Stereo Amplifier)
@STK4024 II ~ STK4044 II

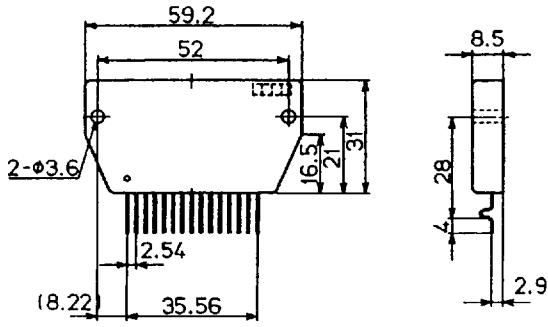


Ⓒ STK4046 II ~ STK4050 II

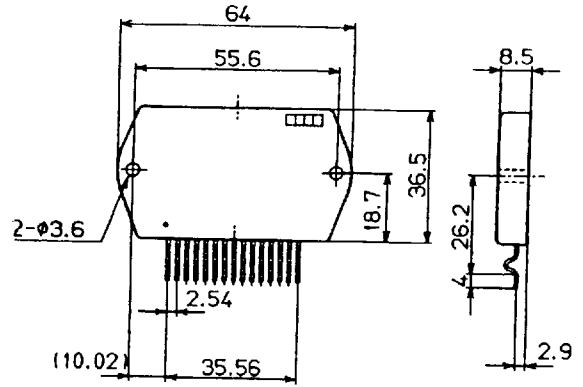


■ Case Outline

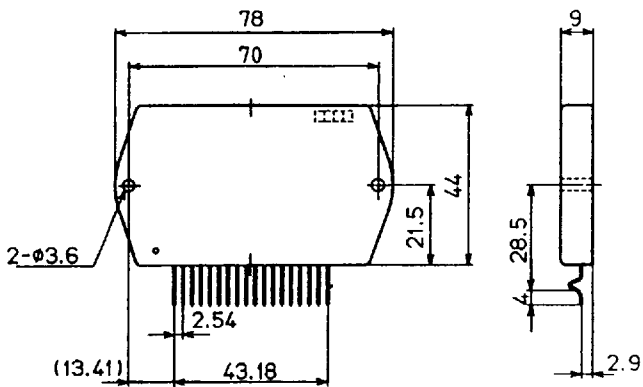
Ⓐ STK4024 II ~ STK4040 II



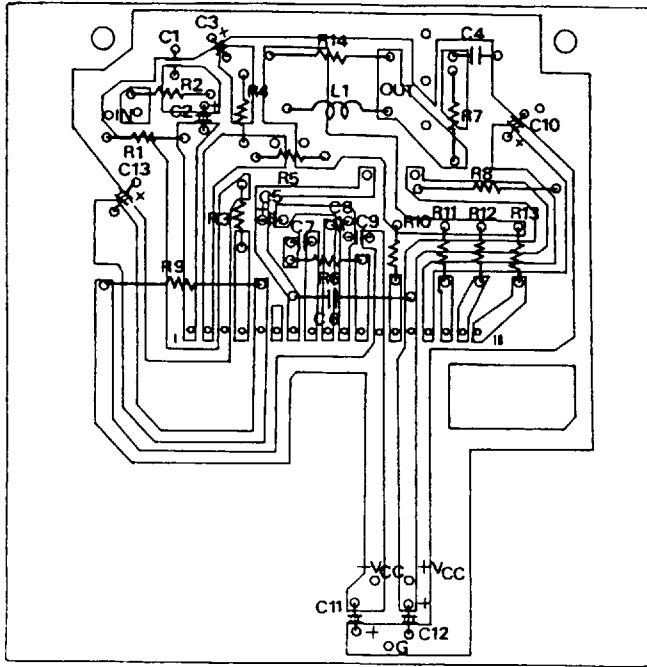
Ⓑ STK4042 II ~ STK4044 II



Ⓒ STK4046 II ~ STK4050 II



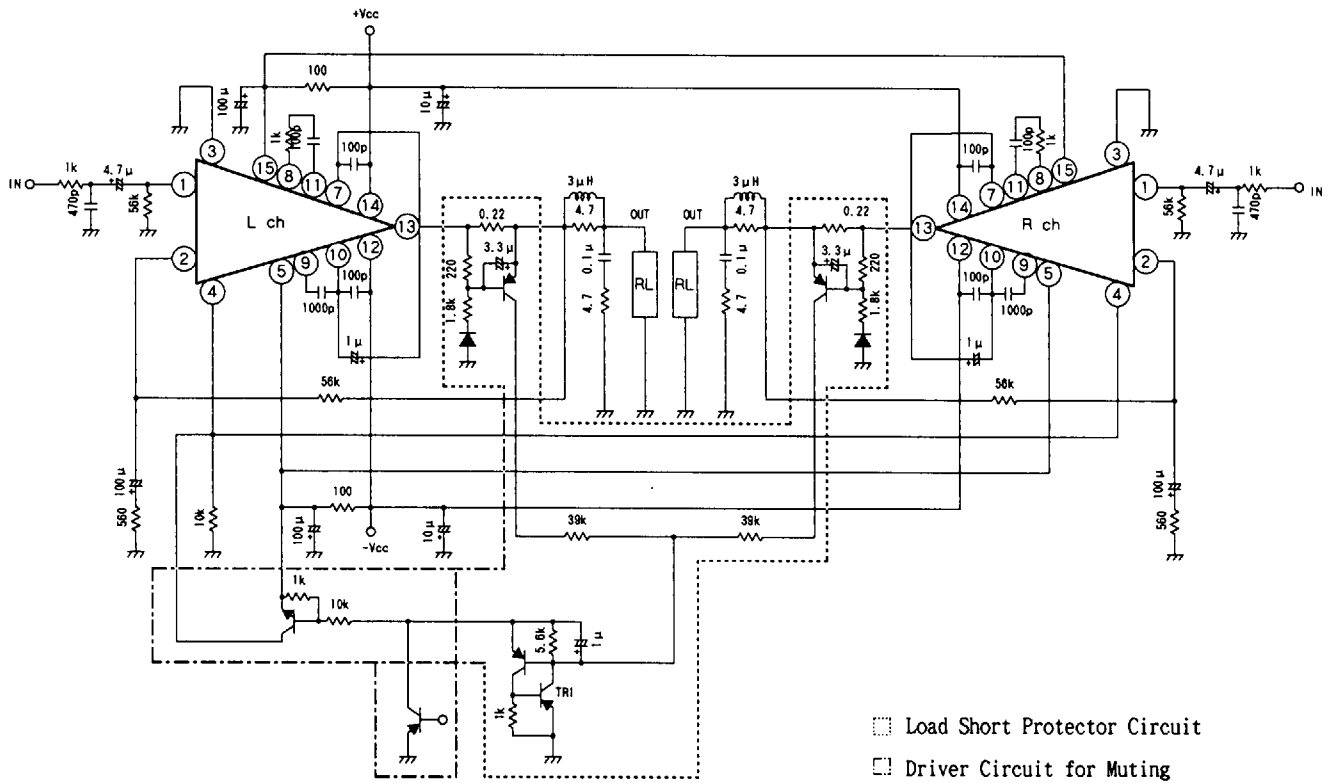
■ Sample Application PCB (Cu - foil side)



R1	56k	C1	470p	L1	3μH
R2	1k	C2	4.7μ		
R3	10k	C3	100μ		
R4	560	C4	0.1μ		
R5	56k	C5	1μ		
R6	1k	C6	100p		
R7	4.7k	C7	100p		
R8	100	C8	1000p		
R9	100	C9	100p		
R10	0.22	C10	100μ		
R11	0.22	C11	10μ		
R12	0.22	C12	10μ		
R13	0.22	C13	100μ		

	R10	R11, 12, 13	L1, R14	C9
4024 II 4040 II	Short	Open	Short	100p
4042 II 4044 II	0.22	Open	3μH 4.7Ω	Open
4046 II 4048 II 4050 II	0.22	0.22	3μH 4.7Ω	100p

■ Load Short Protector & Muting Circuit



□ Load Short Protector Circuit
 □ Driver Circuit for Muting

STK4024 V Series

★1ch./1package, \pm Power Supply

★20W~200W

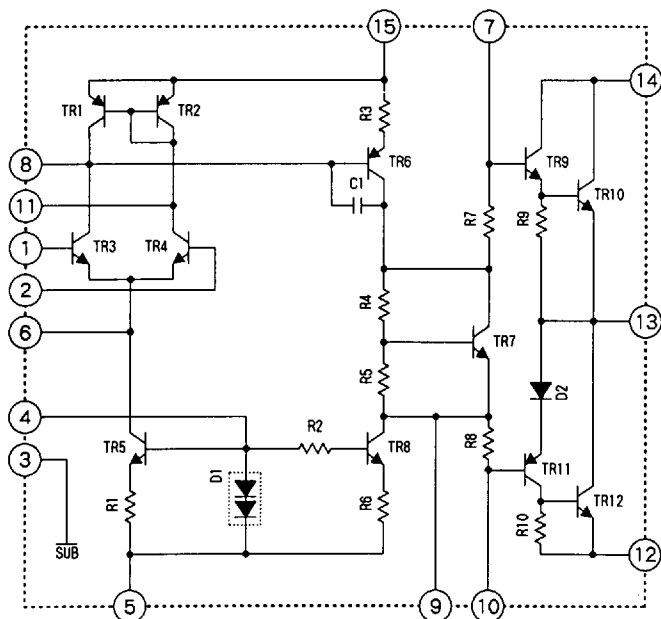
★THD = 0.08%

Model	Maximum Ratings 最大定格		Recommended Operating Conditions 推奨動作条件		Operating Characteristics (Recommend Operating Conditions at Test Circuit) 動作特性(Test Circuitにて 推奨動作条件による)			
	Vcc max [V]	Vcc max [V]	Vcc [V]		Po max 1 RL=8Ω f=20~ 20kHz [W]	THD (V _G =40dB) [%]	Po max 2 RL=4Ω f=1kHz [W]	THD (V _G =40dB) [%]
			RL=8Ω	RL=4Ω				
*STK4024 V	±37.0	±37.0	±24.5	±21.5	20	0.08	20	0.2
*STK4026 V	±39.0	±39.0	±26.0	±22.0	25	0.08	25	0.2
*STK4028 V	±42.0	±42.0	±27.5	±25.0	30	0.08	35	0.2
*STK4030 V	±46.0	±46.0	±30.0	±27.0	35	0.08	40	0.2
STK4032 V	±49.0	±49.0	±32.0	±29.0	40	0.08	45	0.2
STK4034 V	±50.0	±50.0	±33.5	±30.5	45	0.08	50	0.2
*STK4036 V	±52.0	±52.0	±35.0	±31.0	50	0.08	55	0.2
STK4038 V	±57.0	±57.0	±38.0	±32.5	60	0.08	60	0.2
*STK4040 V	±62.0	±62.0	±42.0	±36.0	70	0.08	70	0.2
*STK4042 V	±65.0	±65.0	±45.0	-	80	0.08	-	-
*STK4044 V	±73.0	±73.0	±51.0	-	100	0.08	-	-
*STK4046 V	±80.0	±80.0	±55.0	-	120	0.08	-	-
*STK4048 V	±87.0	±87.0	±60.0	-	150	0.08	-	-
*STK4050 V	±95.0	±95.0	±66.0	-	200	0.08	-	-

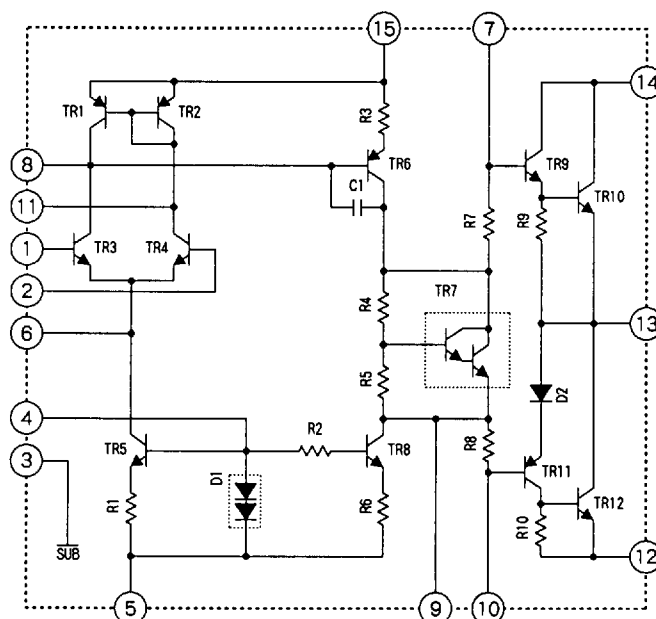
* Under mass production

■ Equivalent Circuit

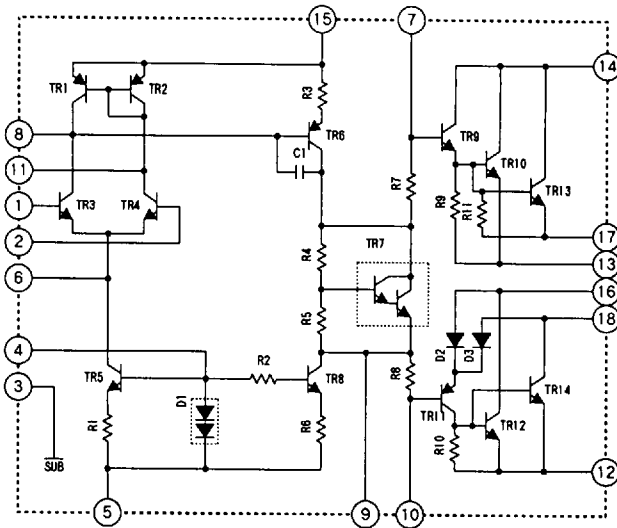
① STK4024 V ~ STK4040 V



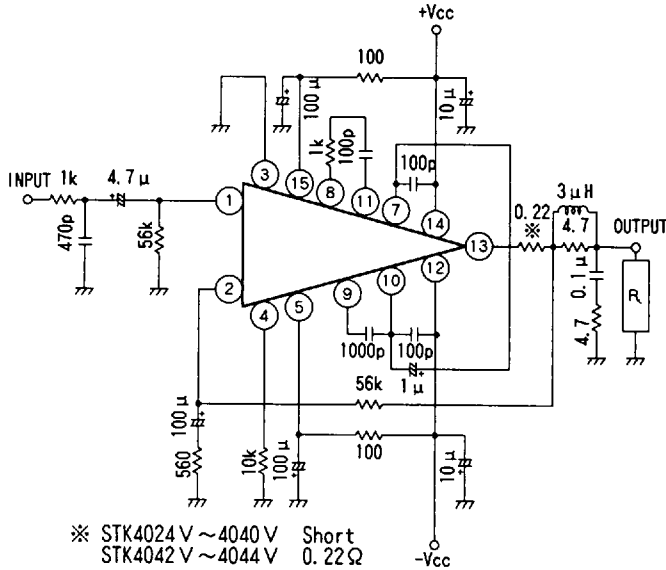
② STK4042 V ~ STK4044 V



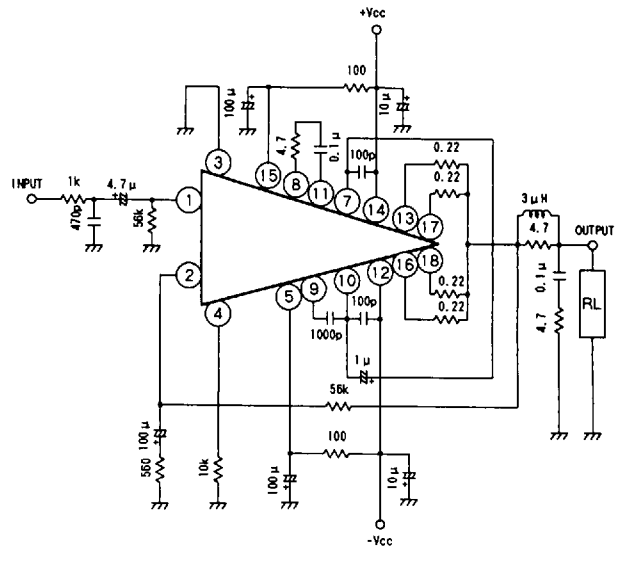
© STK4046 V ~ STK4050 V



■ Test Circuit
STK4024 V ~ STK4044 V

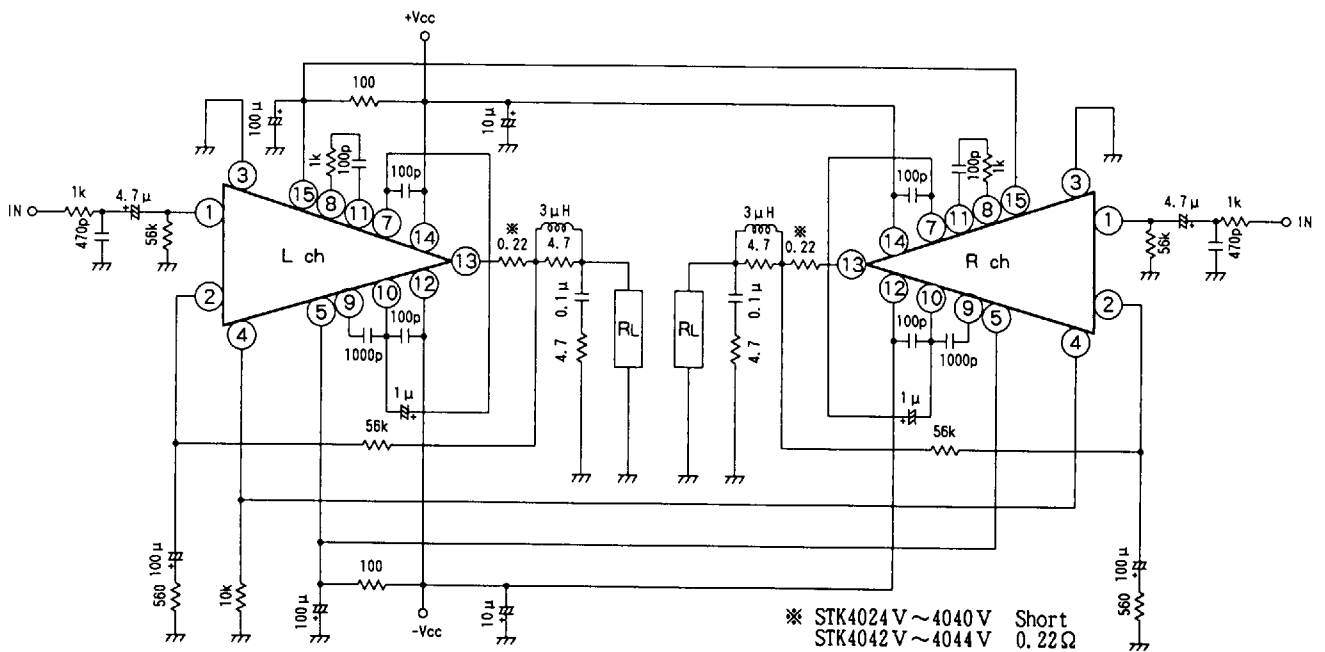


STK4046 V ~ STK4050 V



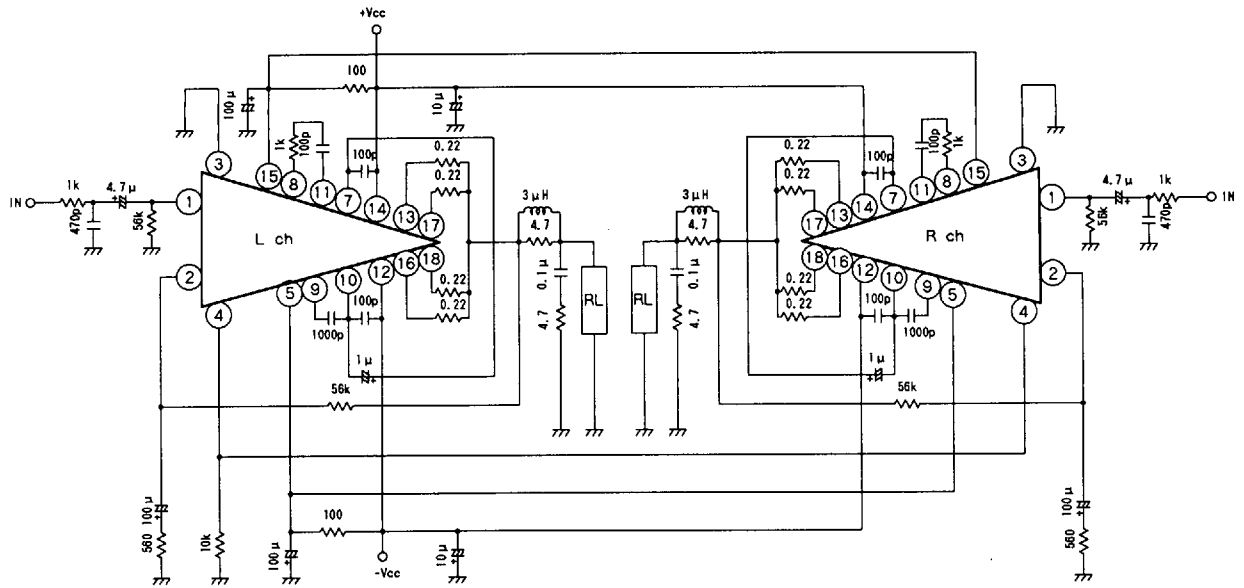
※ STK4024 V ~ 4040 V Short
STK4042 V ~ 4044 V 0.22 Ω

■ Application Circuit
(Stereo Amplifier)
@ STK4024 V ~ STK4044 V



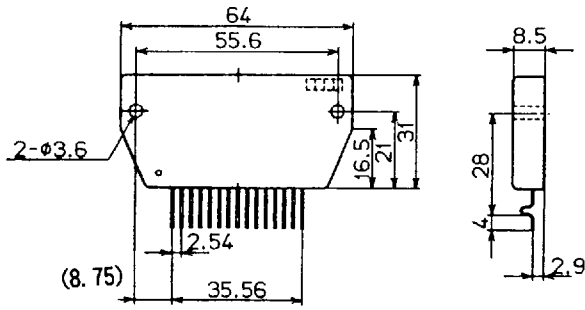
※ STK4024 V ~ 4040 V Short
STK4042 V ~ 4044 V 0.22 Ω

⑤ STK4046 V ~ STK4050 V

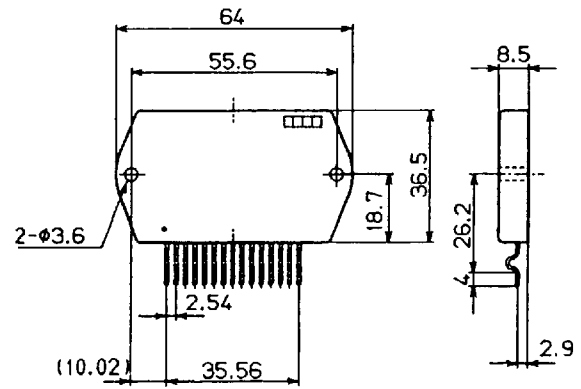


■ Case Outline

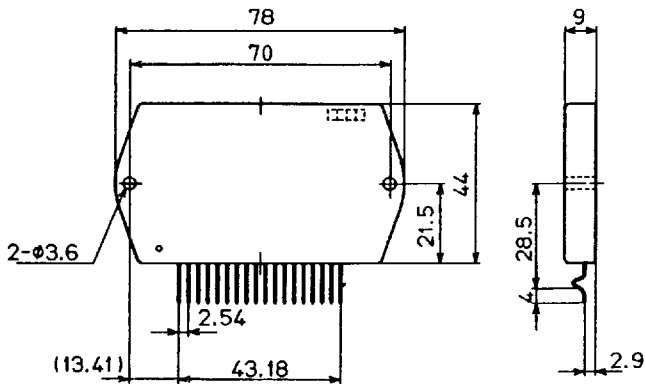
④ STK4024 V ~ STK4040 II



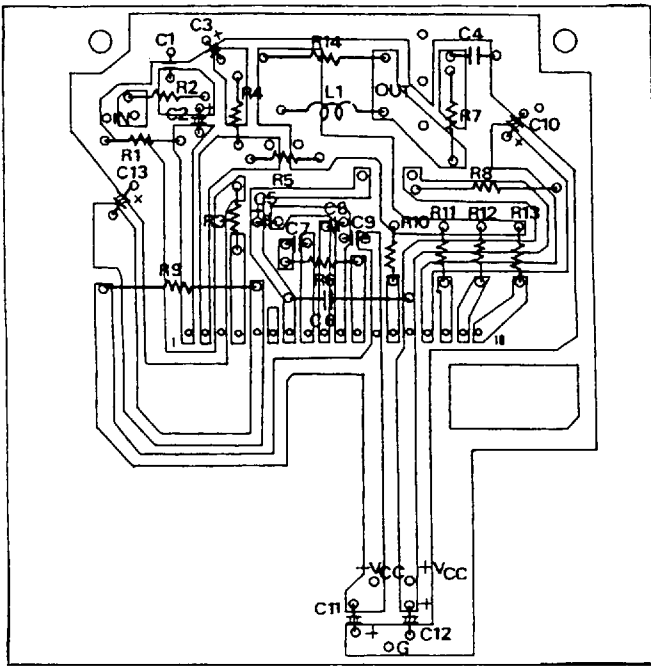
⑤ STK4042 V ~ STK4044 V



⑥ STK4046 V ~ STK4050 V



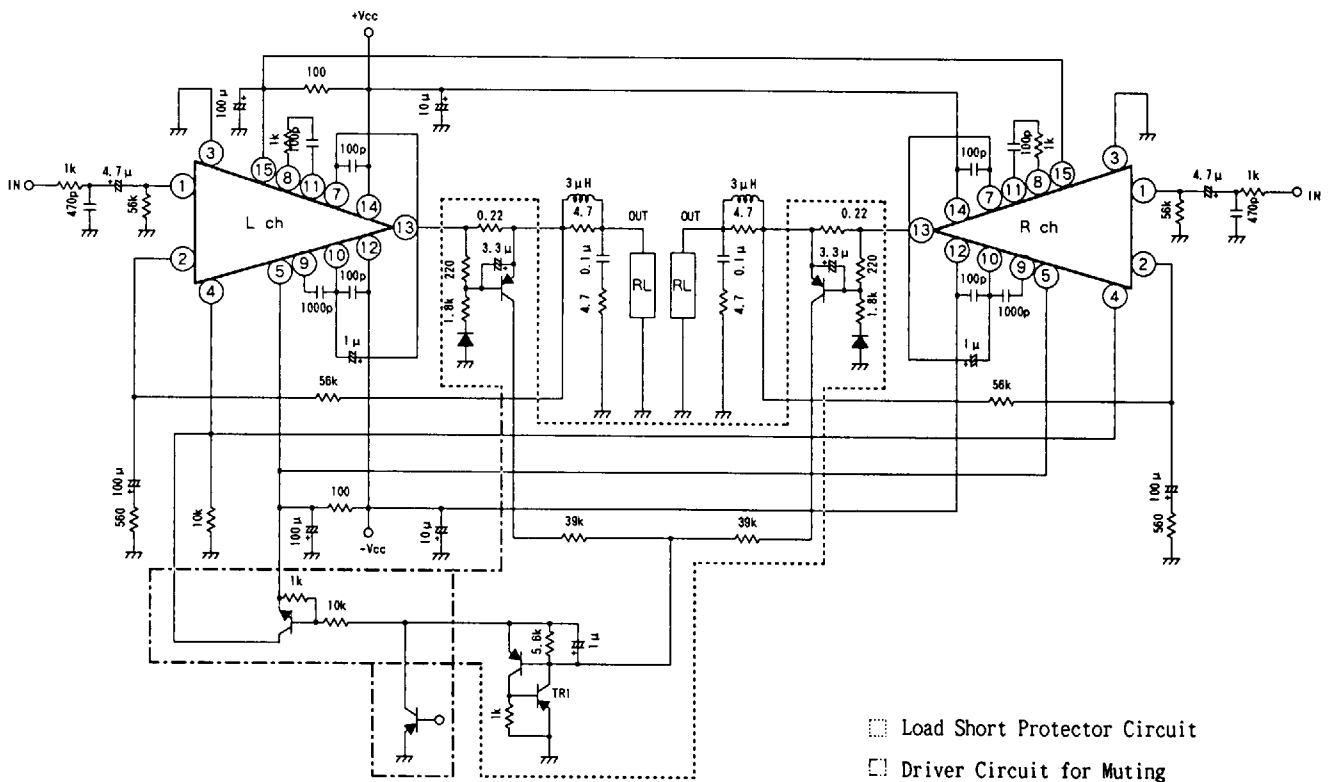
Sample Application PCB (Cu - foil side)



R1	56k	C1	470p	L1	3 μ H
R2	1k	C2	4.7 μ		
R3	10k	C3	100 μ		
R4	560	C4	0.1 μ		
R5	56k	C5	1 μ		
R6	1k	C6	100p		
R7	4.7k	C7	100p		
R8	100	C8	1000p		
R9	100	C9	100p		
R10	0.22	C10	100 μ		
R11	0.22	C11	10 μ		
R12	0.22	C12	10 μ		
R13	0.22	C13	100 μ		

	R10	R11, 12, 13	L1, R14
4024V 4040V	Short	Open	Short
4042V 4044V	0.22	Open	3 μ H 4.7 Ω
4046V 4048V 4050V	0.22	0.22	3 μ H 4.7 Ω

Load Short Protector & Muting Circuit



Load Short Protector Circuit
 Driver Circuit for Muting