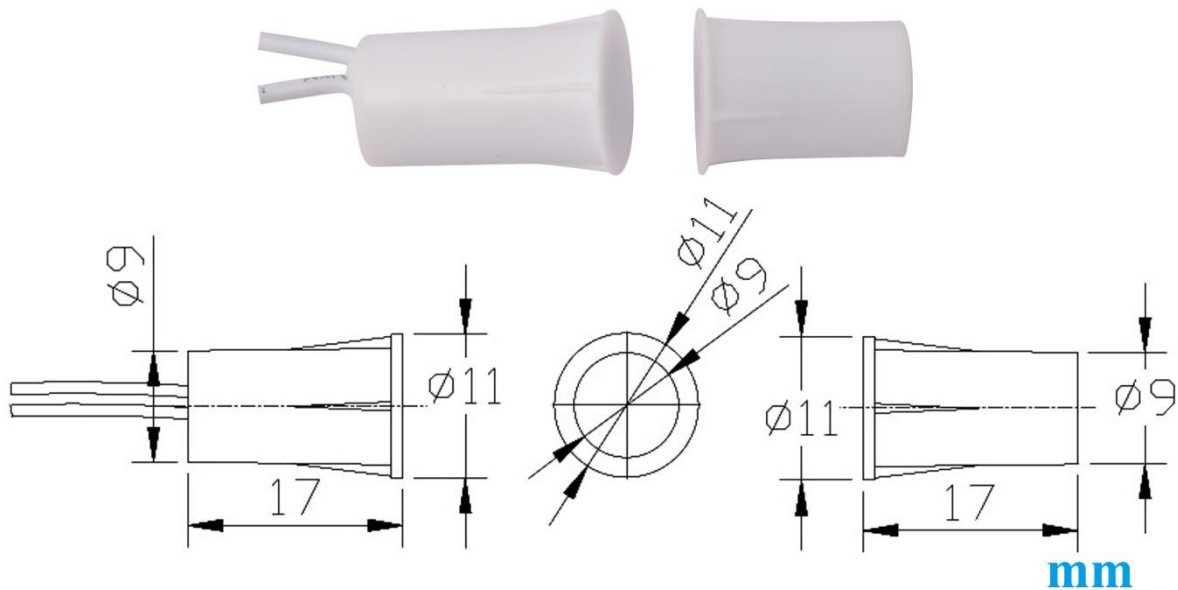


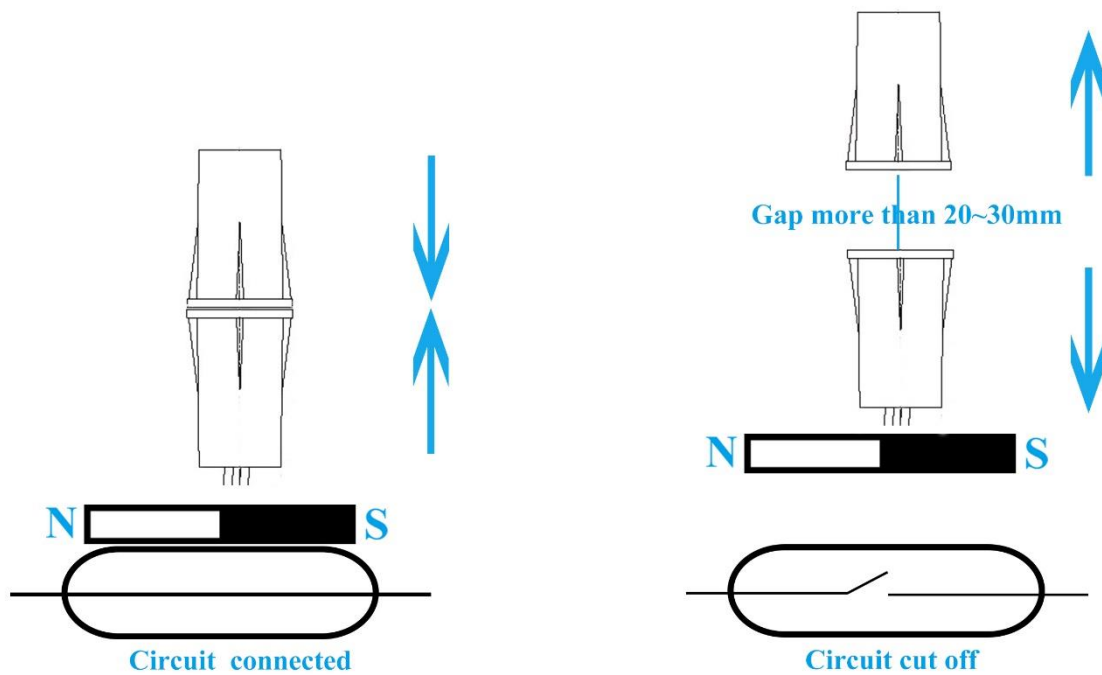
EB-135 Wired Magnetic Door Contact Sensor

Parameter	
Product name	Concealed magnetic contact sensor
Model	EB-135
Dimension	Φ10 ×18.5(mm)
Code mode	NC
Gap	20±5(mm)
Max voltage	≤100V DC
Max current	≤500mA
Max rating	≤10W
Color	White
Suit for	wooden door or window
Material	Fireproof ABS housing
Working temperature	-10 °C~50 °C
Net weight	8g

Size



NC mode working principle



Installation

