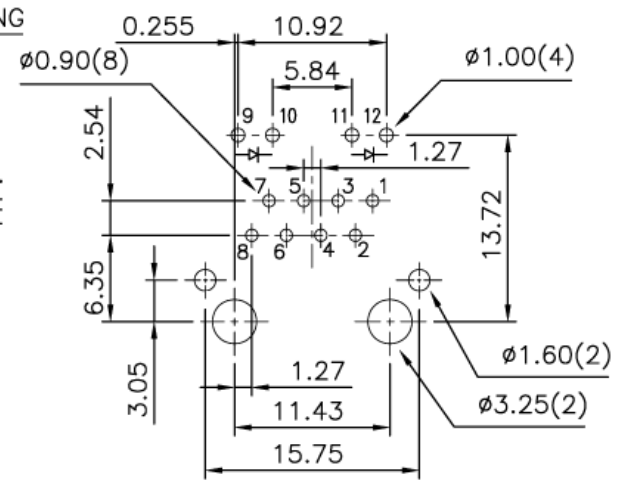
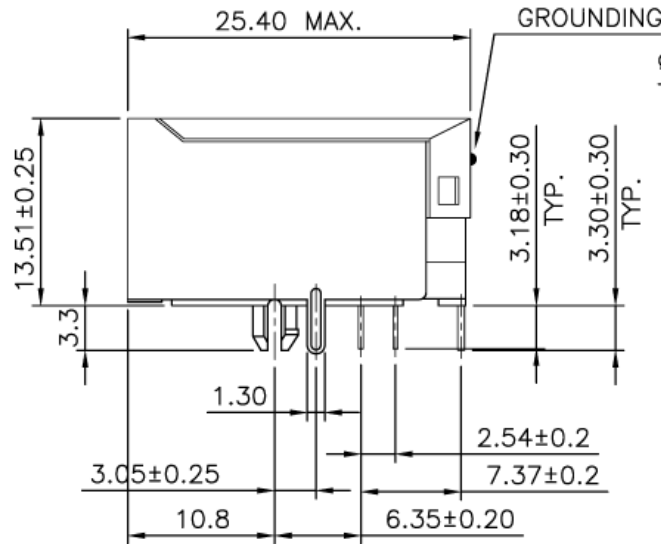
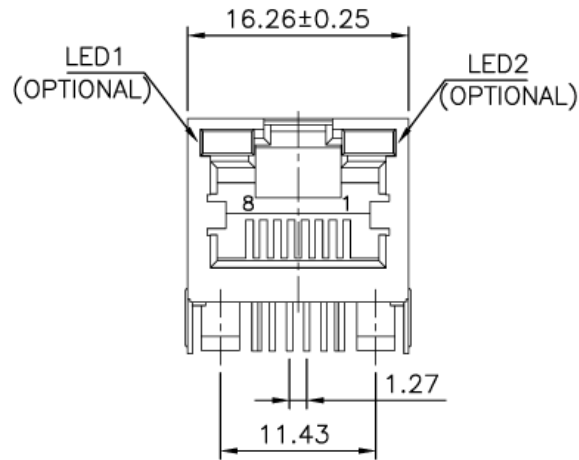


**MATERIAL:**

- HOUSING—PBT POLYESTER UL94V-0 MIXED GLASS FIBER. STANDARD COLOR—BLACK.
- CONTACTS—0.35mm THICK PHOS-BRONZE PLATED WITH HARD GOLD AND GOLD FLASH IN SOLDER AREA.
- SHIELD—0.20mm THICK COPPER ALLOY, PLATED WITH NICKEL.

CAVITY CONFIRMS TO FCC RULES AND REGULATIONS PART 68,SUBPART F.



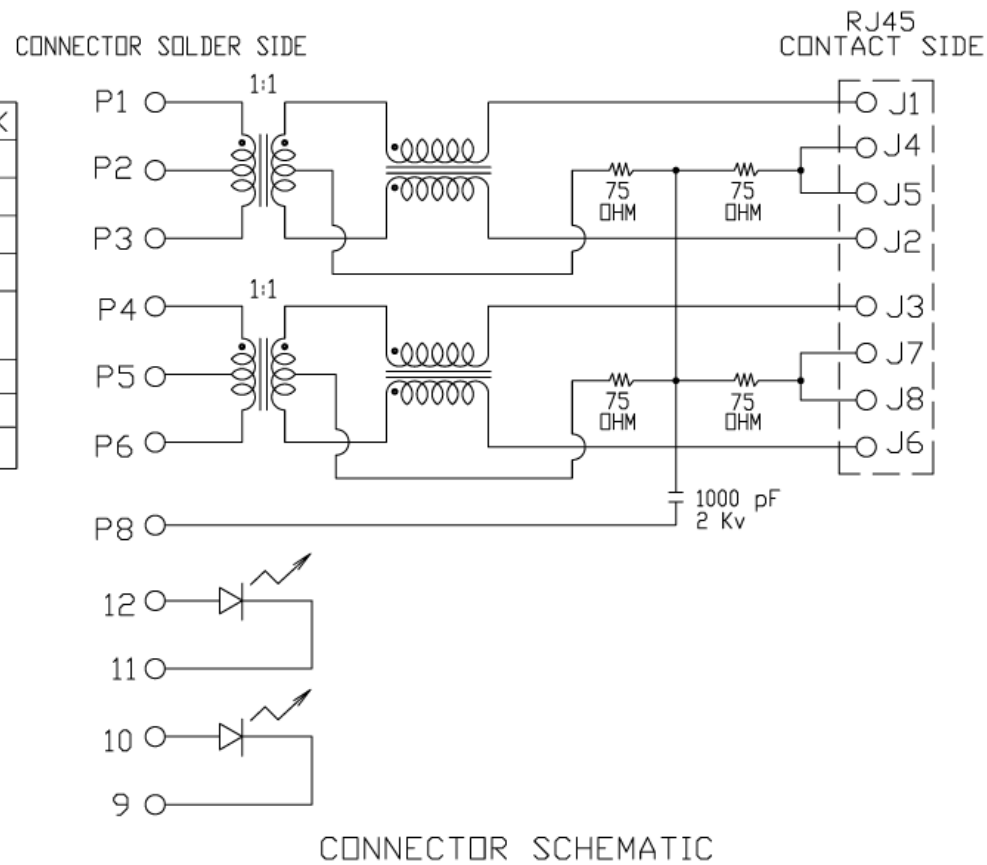
TOLERANCE (mm)	APPROVALS	DATE	TITLE	AMPHENOL	
X. ±0.3	DRAWN Stephane	24/Sep/2007	RJ45 w/Transformer Side Entry w/ LED Shielded	Amphenol European Design Center	
XX ±0.2	CHECKED Rob	24/Sep/2007		Scale N.A.	Sheet 1 of 2
X.XX ±0.15	APPROVED Rob	24/Sep/2007			
UNLESS OTHERWISE SPECIFIED			UNIT: mm	SIZE: A4	DRAWING N° LMJ201 881X 100D LXT1 B
					REV. A

# TRANSFORMER

## Specification :

Item	Parameter	Condition	Min.	Typ.	Max.	Unit	REMARK
1	Insertion loss	1-100 MHz			-1	dB	
2	Return loss	1-30 MHz	-20			dB	
		30-60 MHz	-15			dB	
		60-80 MHz	-12			dB	
3	Primary Inductance @100KHz, 0.1Vrms, 8mA DC BIAS	(J1-J2), (J3-J6)	350			μH	
4	Crosstalk	1-100 MHz	-35			dB	
5	Hipot	Vrms	1.5			kV	
6	COMMON MODE REJECTION	1-100 MHz	-35			dB	

\* OPERATING TEMPERATURE RANGE: 0°C TO +70°C.



TOLERANCE (mm)	APPROVALS	DATE	TITLE	AMPHENOL
X. ±0.3	DRAWN Stephane	24/Sep/2007	RJ45 w/Transformer Side Entry w/ LED Shielded	Amphenol European Design Center
XX ±0.2	CHECKED Rob	24/Sep/2007		
X.XX ±0.15	APPROVED Rob	24/Sep/2007		
UNLESS OTHERWISE SPECIFIED	UNIT: <b>mm</b>		SIZE: <b>A4</b> DRAWING N°	Scale N.A. Sheet 2 of 2
			<b>LMJ201 881X 100D LXT1 B</b>	REV. <b>A</b>