

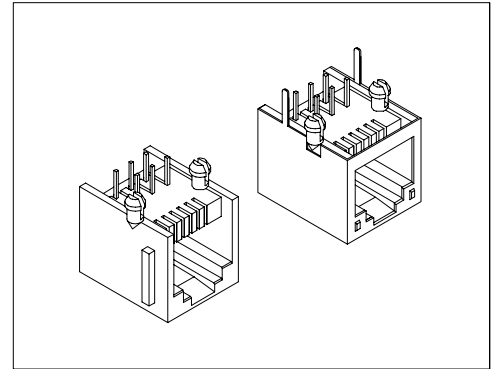
Specifications:

Electrical:

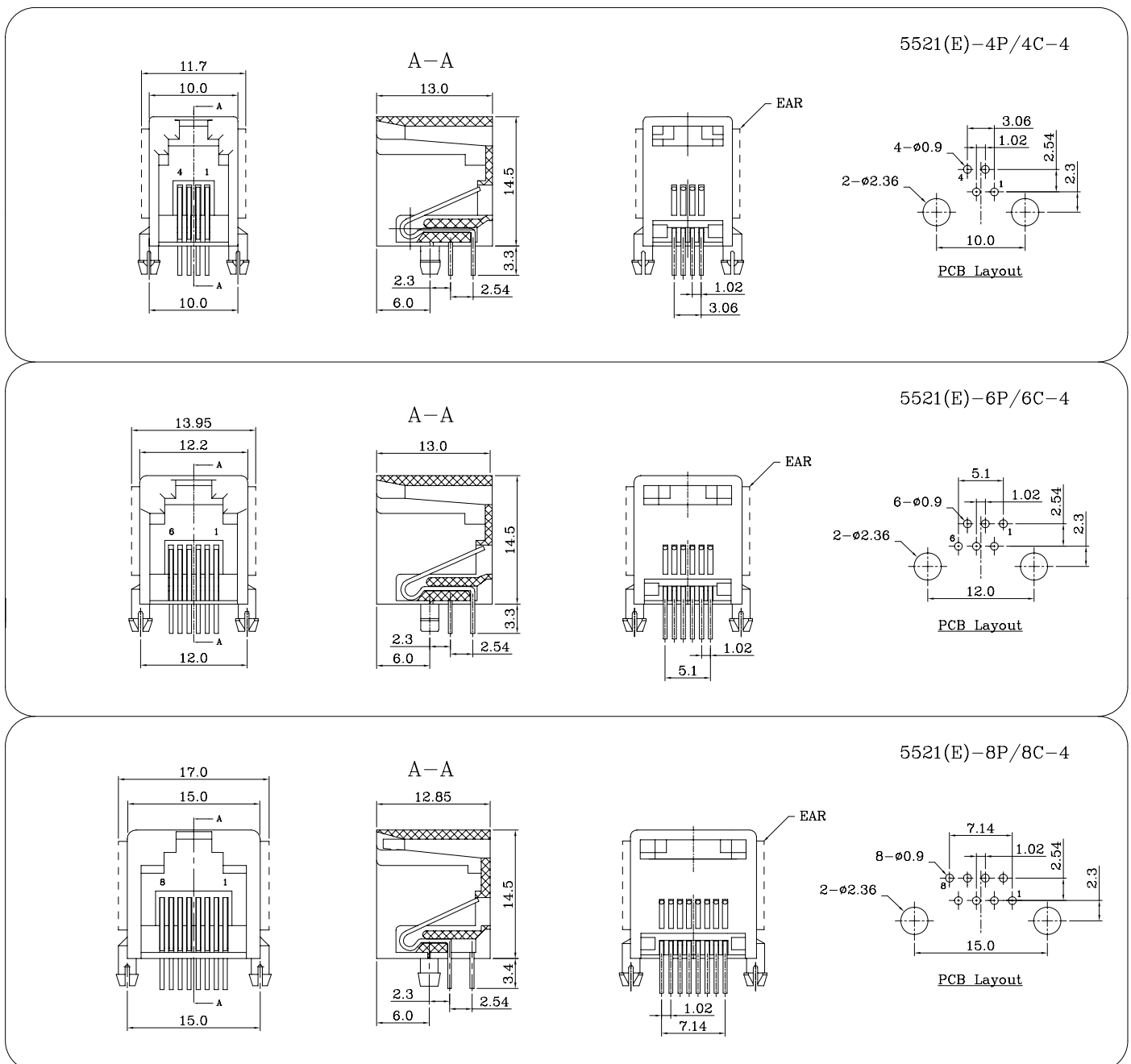
Current Rating: 1.5A
 Dielectric Withstanding Voltage: 1000VAC for one minute
 Contact Resistance: 35mΩ max
 Insulation Resistance: 1000MΩ min
 Operating Temperature: -40°C ~ +85°C

Physical:

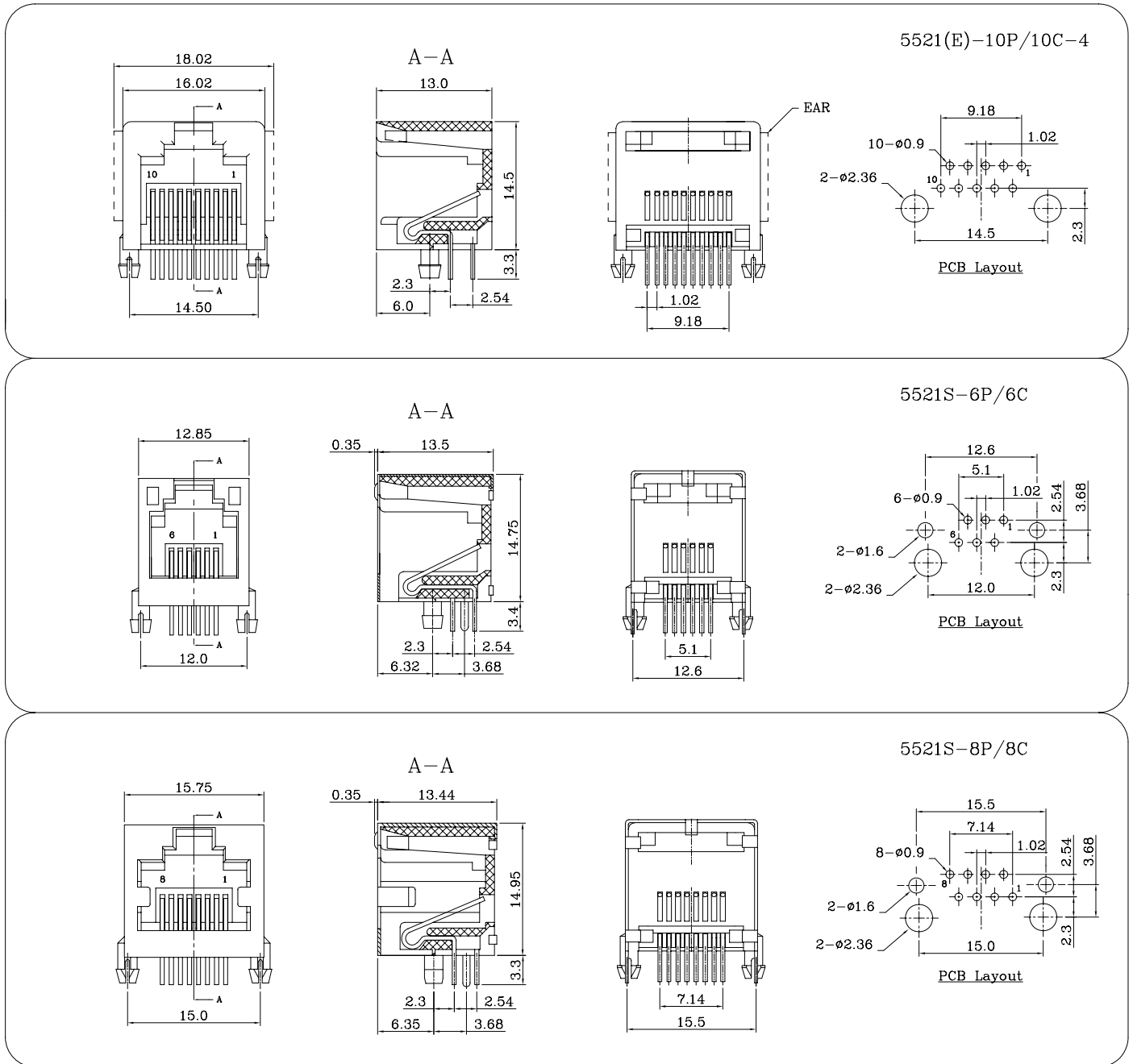
Insulator: P.B.T
 Flammability Rating: UL 94V-0
 Contacts: Phosphor Bronze
 Contacts plating: Gold Plating Over Nickel



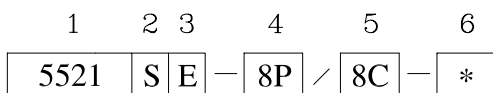
Dimension: mm



Dimension: mm



Ordering Code:



- | | |
|--|---|
| <p>1. Series No. 5521</p> <p>2. Shield: S = Shield
N/A = W/O Shield</p> <p>3. Ear Option: E = With Ear
N/A = W/O Ear</p> | <p>4. Position: 4P, 6P, 8P, 10P</p> <p>5. Contacts: 2C, 4C, 6C, 8C, 10C</p> <p>6. Color: N/A = Black
4 = Grey</p> |
|--|---|