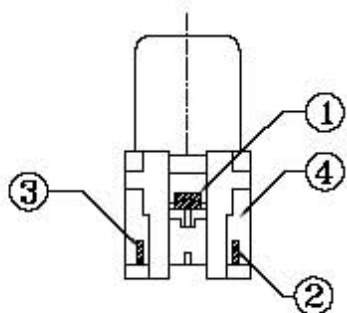
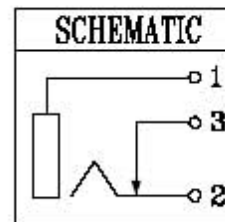


PCB LAYOUT  
(BOTTOM VIEW)



NO.	NAME	MATERIAL	FINISH
1	BARREL	BRASS	NICKEL PLATED
2	SPRING TERM.	PHOS. BRONZE	TIN PLATED
3	BREAK TERM.	BRASS	TIN PLATED
4	HOUSING	P.B.T.	R,Y,W,B



**T&T** Connection System Co., Ltd.

UNIT

SCALE

PART NAME

MM

2:1

RCA JACK 90°  
3 Contact W/2 Post

制表日: 2002/12/04

DRAWING.

APPROVED

APPD.

CKD.

TOLERANCE

PART NO.

REV.

JEFFREY

± 0.5

A