



KXO-01 Series Crystal Clock Oscillators

TTL Drive - TTL Compatible

f_o : 8.0 to 50 MHz

FEATURES

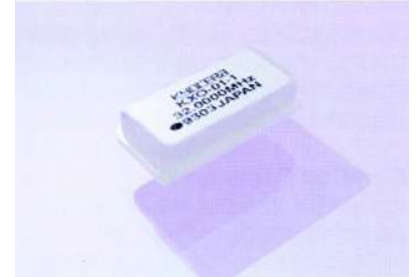
- 1) Lower Cost
- 2) 14 pin DIP compatible
- 3) Wide frequency range (8MHz - 50MHz)
- 4) All metal package minimizes RF radiation
- 5) Meets FCC EMI specifications
- 6) Solder coated pins
- 7) 25 pieces per tube
- 8) Sold in increments of 100 pieces

HOW TO ORDER

KXO-01 - 1 - 32.0000M T

① ② ③ ④

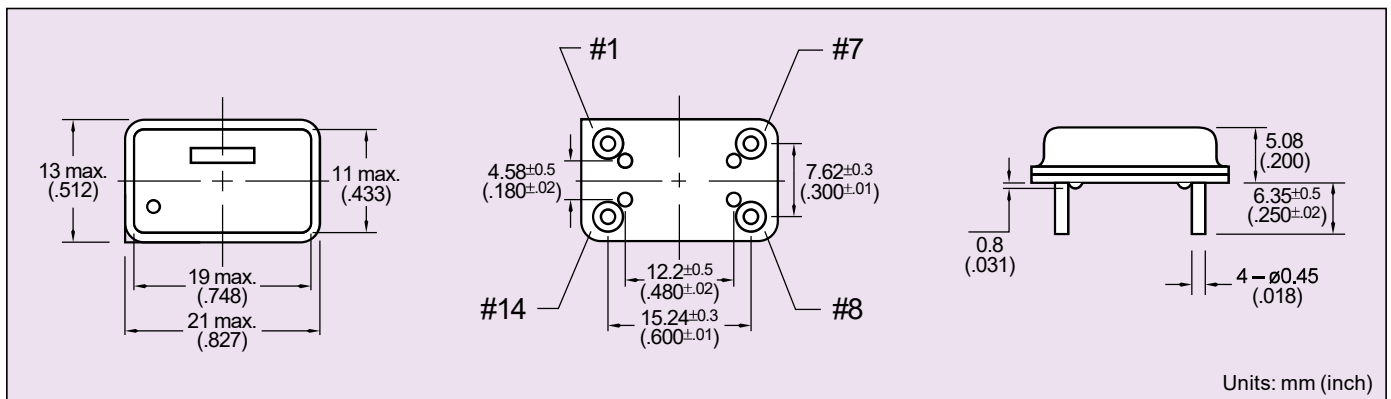
- ① Type: (Kyocera Crystal Oscillators)
- ② Frequency precision:
0 = ± 50 ppm (special)
1 = ± 100 ppm
- ③ Frequency
- ④ Packaging: T = Tube



SPECIFICATIONS (KXO-01)

| Parameters | | Code | Rating | Unit | Remarks |
|--------------------------------|--------------------|----------------|---------------|---------------|----------------------|
| Output Frequency | | f_{out} | 8 to 50 | MHz | |
| Frequency Precision | | $\Delta f/f_o$ | 0: ± 50 | ppm | 0 to 70°C |
| | | | 1: ± 100 | ppm | 4.5V to 5.5V |
| Aging Rate | | $\Delta f/f$ | ± 5 | ppm/y | |
| Operating Temperature Range | | T_{opr} | 0 to ± 70 | °C | |
| Storage Temperature Range | | | -55 to +125 | °C | |
| Voltage | | V_{DD} | 5 ± 0.5 | VDC | |
| Electrical Current Consumption | | I_{DD} | 35 max | mA | |
| Output | Duty Ratio | S_y | 40 to 60 | % | 1.4V DC level |
| | "0" Level | V_{OL} | 0.4 max | V | At $I_{OL}=16$ mA |
| | "1" Level | V_{OH} | 2.4 min | V | At $I_{OH}=400\mu A$ |
| | Rise and Fall Time | T_R, T_F | 15 max | nsec | 8 to 32MHz |
| 10 max | | | nsec | 32.1 to 50MHz | |
| Fan Out | | | 1 to 10 | TTL | |

DIMENSIONS



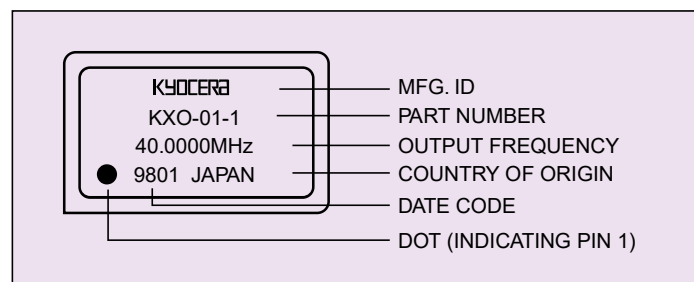


KXO-01 Series Crystal Clock Oscillators

TTL Drive - TTL Compatible

f_o : 8.0 to 50 MHz

MARKING



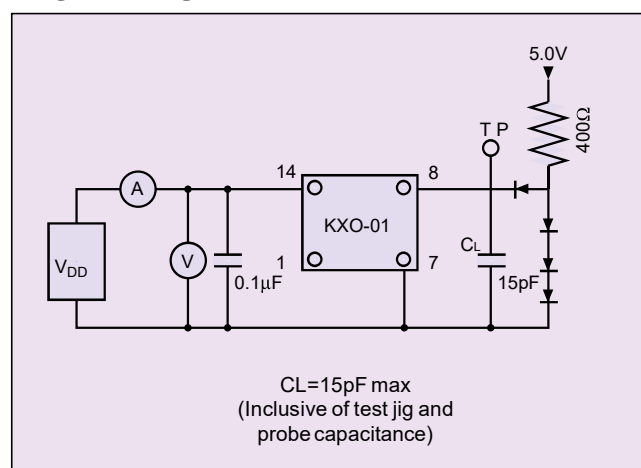
PIN CONNECTION

| PIN # | FUNCTION |
|-------|-----------|
| 1 | N.C. |
| 7 | Case/GND |
| 8 | Output |
| 14 | +5.0VD.C. |

POPULAR FREQUENCY LIST

| | | |
|-------------|------------|------------|
| 8.0000MHz | 16.0000MHz | 25.0000MHz |
| 10.0000MHz | 19.6608MHz | 32.0000MHz |
| 12.0000MHz | 20.0000MHz | 40.0000MHz |
| 14.31818MHz | 24.0000MHz | 50.0000MHz |

TEST CIRCUIT



SHAPE OF OUTPUT WAVE

