



## Single Rotary Potentiometers Dust-Proof Ceramic Types for Professional Application

### Mechanical Specifications

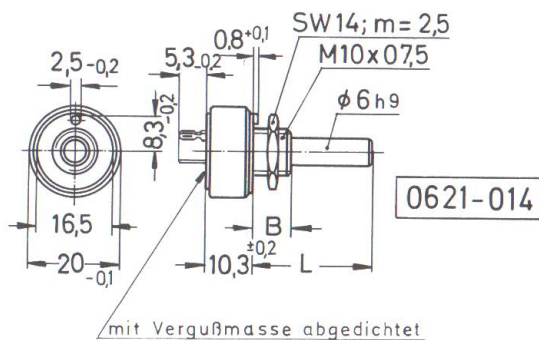
effective rotation : 270°  
 operating torque : 0,7 ... 2 Ncm  
 end stop torque :  $\geq 100$  Ncm  
 bush lengths : 5, 8 or 12 mm  
 spindle ends : to DIN 41 450  
 weight : approx. 24 g  
           with L = 50 mm

### Electrical Specifications

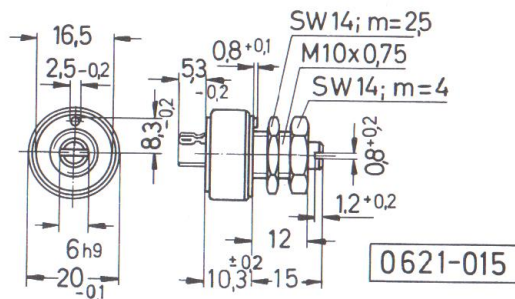
power rating : 2 W  
 critical voltage : 450V  
 test voltage : 750 V  
 resistance values : 100  $\Omega$  ... 5 M $\Omega$  lin  
                           1 k $\Omega$  ... 1 M $\Omega$  log  
 curves : lin, log  
 application class : GND to DIN 40 040



B = 8  
L = 50



type no.	terminals	characteristics
0621-013	for wiring	cermet track
0621-014*	for wiring	carbon track



type no.	terminals	characteristics
0621-015*	for wiring	with locking bush for locking the spindle. carbon track

\*Available from stock

Standards values 100  $\Omega$  ... 2,5 M $\Omega$  lin; 1 k $\Omega$  ... 1 M $\Omega$  log