

## PT6 微调合成碳膜电位器

(PT6 6.3MM TRIMMER POTENTIOMETERS)

### 一般事项

### General

□此规格适用于电子设备之可变电阻器。

- This specification is applied to potentiometers used for electronic equipment.

□使用温度范围: -25℃~+70℃

-Operating temperature: -25℃~+70℃

### 特点

### Features

□长寿命,低成本。

-Carbon resistive element.

□优良的防尘结构,没有任何开口部分

-Dust proof enclosure.

□阻值线性多样化

-Polyester substrate.

□力矩小

-Also upon request

□旋转 50%处有定位或整个旋转行程带定位

◇Wiper positioned at 50% or fully clockwise.

□品种规格多,适用性强

◇Supplied in magazines for Automatic insertion.

◇Long life model, low cost PT-6...E

◇Without crimping model

◇Housing available in self extinguishable plastic

### 性能说明 CHARACTERISTICS

#### 电气性能 ELECTRICAL SPECIFICATIONS

阻值范围 Range of value	$220\ \Omega \leq R_n \leq 5M\ \Omega$
阻值误差 Tolerance	$220\ \Omega \leq R_n \leq 1M\ \Omega \dots\dots\dots \pm 20\%$ $1M\ \Omega < R_n \leq 5M\ \Omega \dots\dots\dots \pm 30\%$
耐电压 Max voltage	100V DC (lin), 50V DC (no lin)
额定功率 Rated power	0.1W (lin), 0.05W (no lin)
线性 Taper	Lin, Log, Alog
残留电阻 Residual resistance	$\leq 5\%R_n$ (5 $\Omega$ min)
平滑性 Equivalent noise resistance	$\leq 3\%R_n$ (3 $\Omega$ min)
焊接 Soldering	260℃ $\pm$ 5℃: $\leq 3s$

## 机械性能 MECHANICAL SPECIFICATIONS

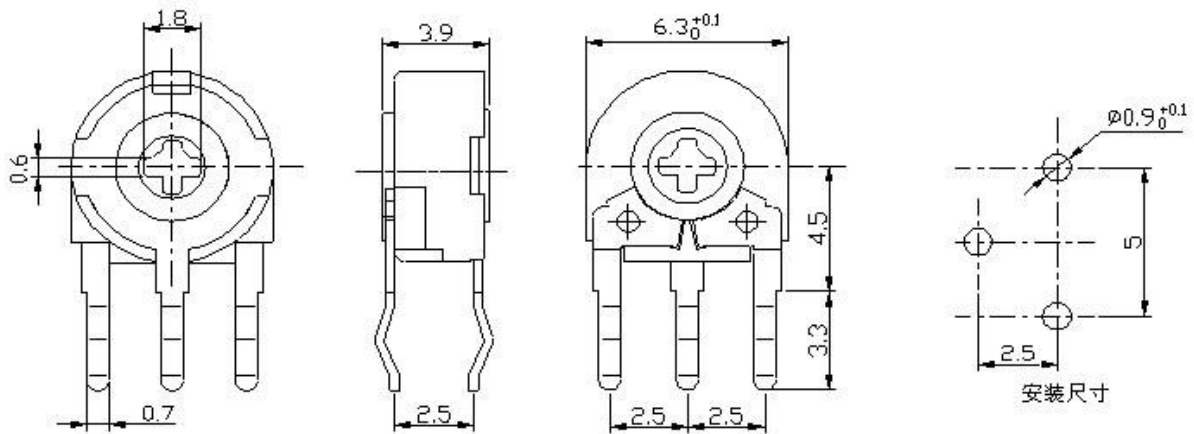
机械旋转角度 Mechanical rotation angle	235° ±5°	
电气旋转角度 Electrical rotation angle	200° ±20°	
旋转力矩 Torque	0.2~2Ncm	
止档力矩 Stop torque	>4Ncm	
机械耐久性 Mechanical endurance	Standard	500cycles
	Long life	10,000cycles

## 外形图及安装尺寸 OUTLINE DRAWING AND MOUNTING HOLE DETAIL

### ROTORS(孔的形式)

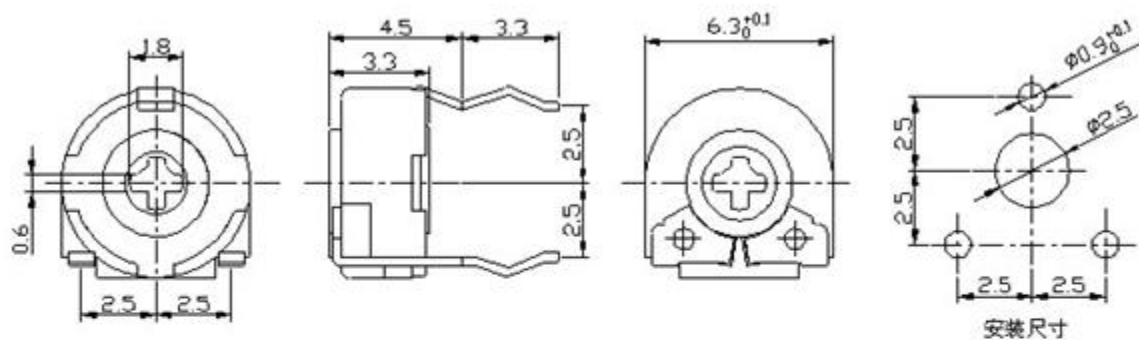


h=Vertical mount/Horizontal adjust 立式—水平调节

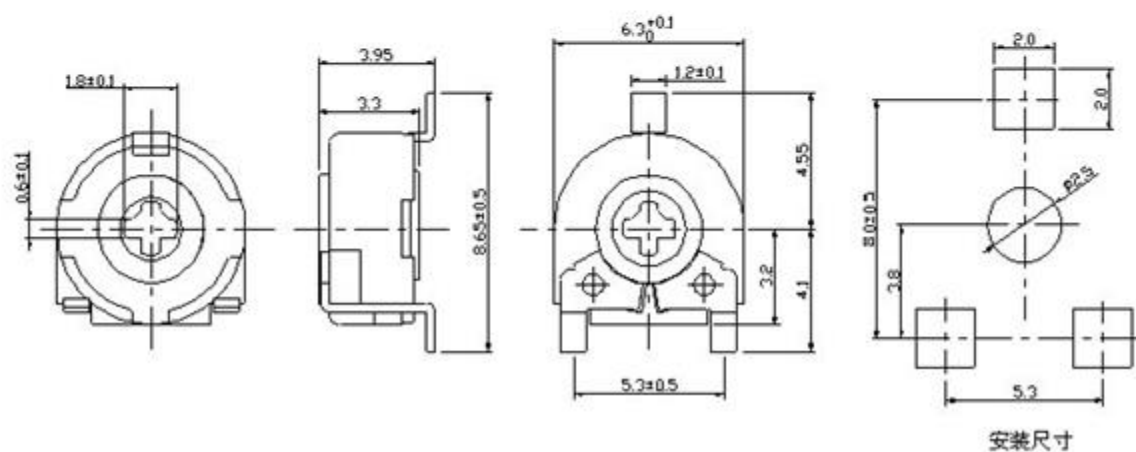


V=Horizontal mount/Vertical adjust 卧式—垂直调节

①

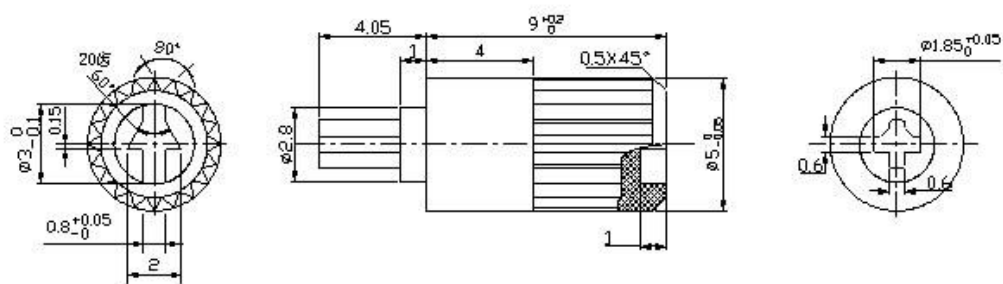


②

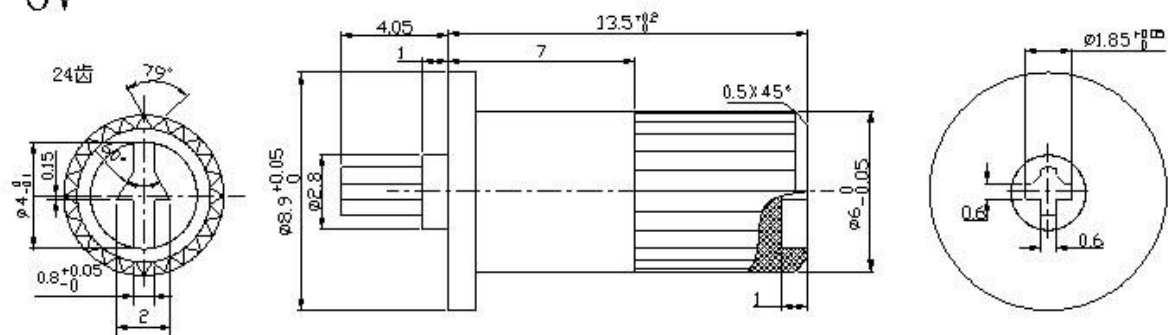


SHAFT(现有轴种类)

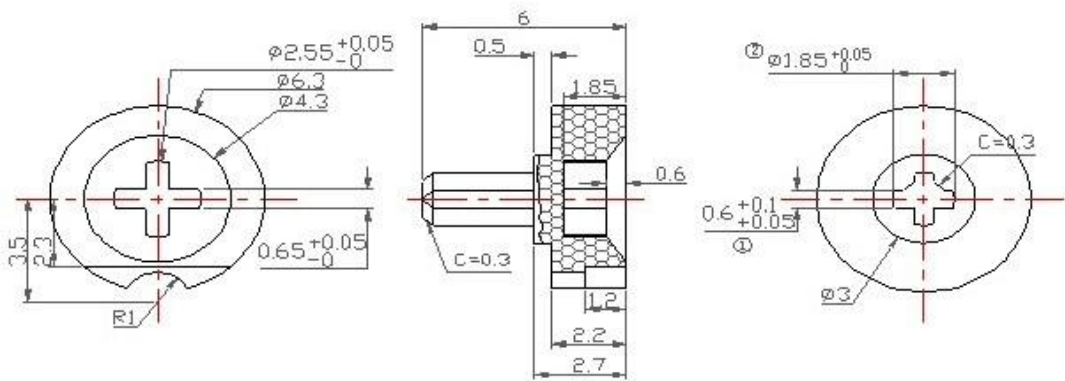
5V



6V



3#轴



4#轴

