

PT-153E(10*5)

3 Pins, Vertical Mount/ Horizontal Adjust, "-" Slot, Pitch: 10*5mm,
RohS Compliant

RoHS**GENERAL SPEC.**

Nominal Resistance: 200 Ω to 1M Ω
Std. Res. Tolerance: + /- 30%
Residual Resistance less than 10 Ω
Taper: Logairthm (A), Linear (B) and Anti-logairthm(C)
Power Rating: 0.15 W for Linear Taper, 0.07 for other tapers
Operating Voltage: 250V for Linear Taper, 125V for other Tapers.
Rotational Life: 500 Cycles/ 10,000 Cycles

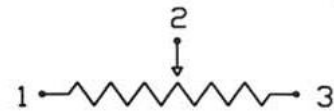
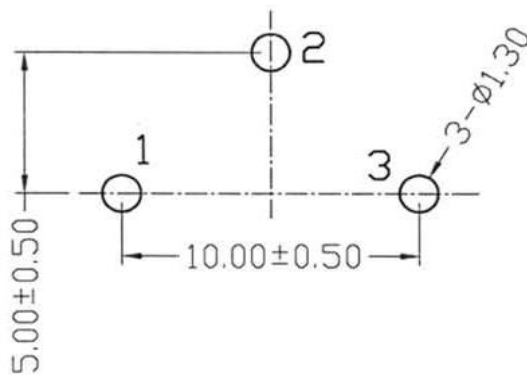
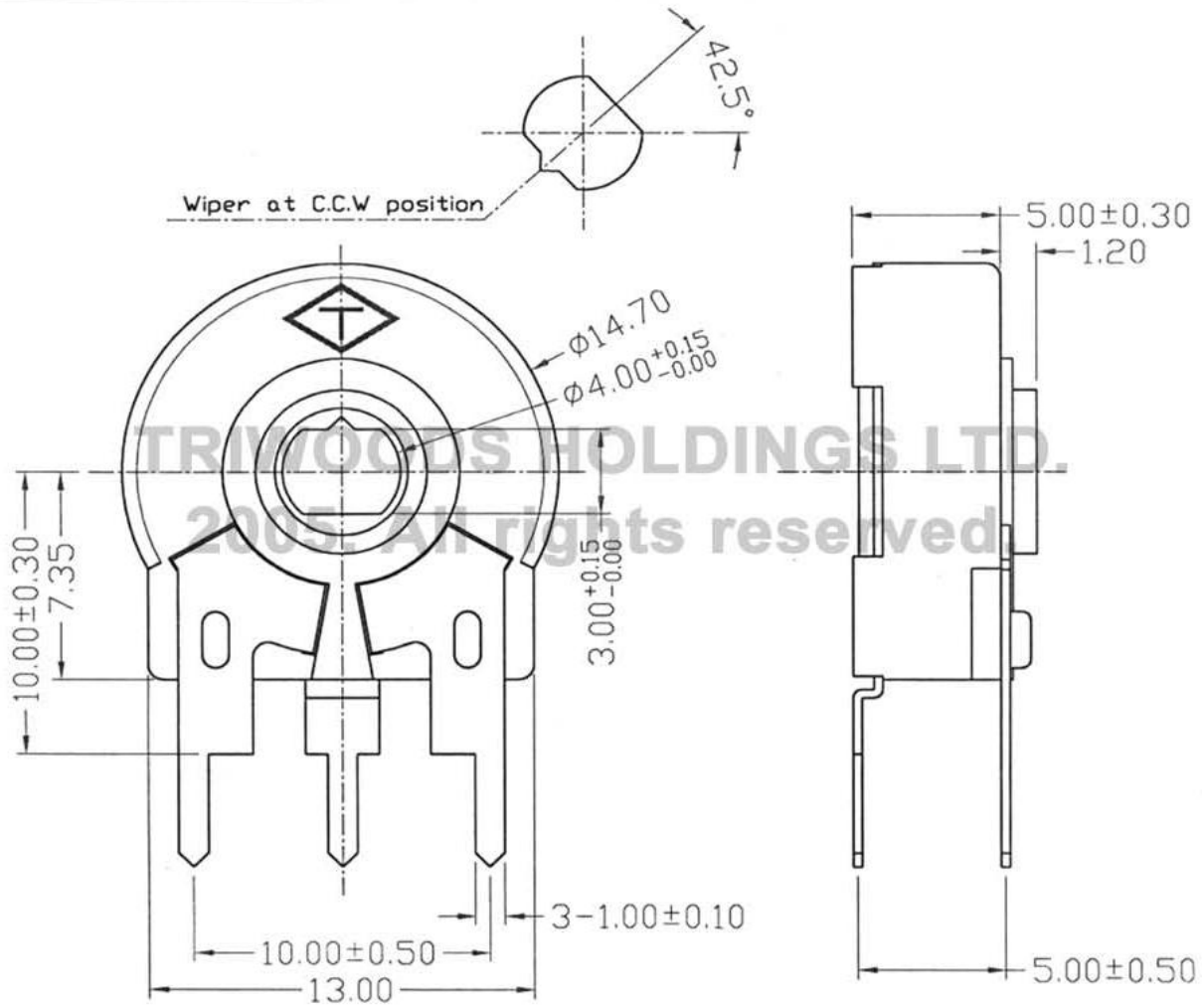
Rotational Angle: 265° \pm 5 °
Torque: 20 ~ 200g.cm
End-Stop Strength: 400g.cm minimum

Operating Temperature: -25°C ~ +75°C
Temp. Characteristics: +5 ~ -30% change in resistance after 5 hours at 70°C
Humidty Characteristics: Maximum 20% Change in Resistance after 350 hours at 40°C and RH 95% loaded

Soldering Method: Hand Soldering
Soldering Temperature: 260°C
Soldering Time: 2 seconds

APPEARANCE

DRAWING



CIRCUIT

RECOMMEND P.C.B LAYOUT

未注角度	$\pm 10^\circ$
未注公差	0-10mm ± 0.3 mm
未注公差	10-60mm ± 0.5 mm



三達集團有限公司
Triwoods Holdings Ltd.

PT-153E(10*5)

DRAWING NO	REV	SHEET/OF
TEC-WI-E.WX-326	A2	