

PT15 微调合成碳膜电位器

(PT15 15MM TRIMMER POTENTIOMETERS)

一般事项

- 此规格适用于电子设备之可变电阻器。
- 使用温度范围: $-25^{\circ}\text{C} \sim +70^{\circ}\text{C}$

General

- This specification is applied to potentiometers used for electronic equipment.
- Operating temperature: $-25^{\circ}\text{C} \sim +70^{\circ}\text{C}$

特点

- 长寿命, 低成本。
- 优良的防尘结构, 没有任何开口部分
- 阻值线性多样化
- 力矩小
- 旋转 50%处有定位或整个旋转行程带定位
- 品种规格多, 适用性强

Features

- Carbon resistive element.
- Dust proof enclosure.
- Polyester substrate.
- Also upon request:
 - ◇ Wiper positioned at 50% or fully clockwise.
 - ◇ Supplied in magazines for automatic insertion.
 - ◇ Long life model for low cost control pot

Applications

- ◇ Self extinguishable plastic UL 94V-0
- ◇ Cut track option
- ◇ Special tapers
- ◇ Mechanical detents
- ◇ Low torque option
- ◇ Special switch option

性能说明 CHARACTERISTICS

电气性能 ELECTRICAL SPECIFICATIONS

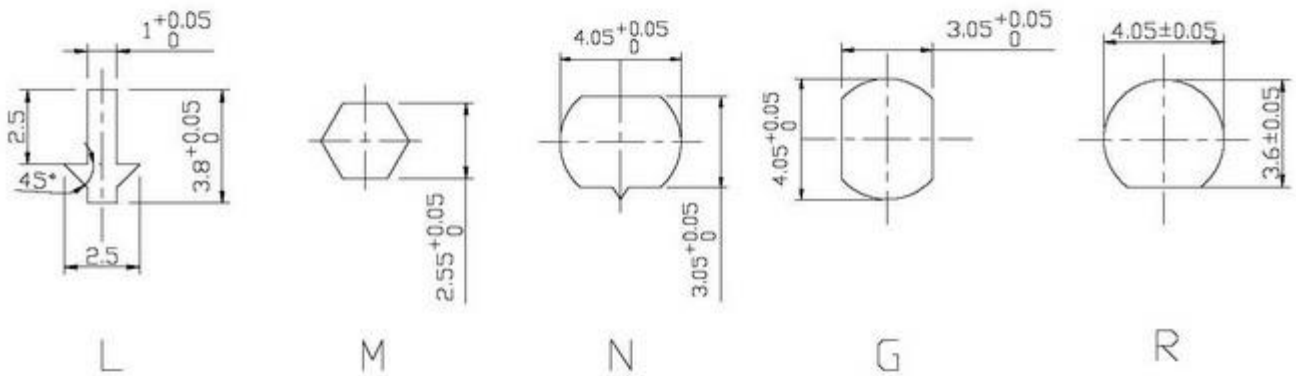
阻值范围 Range of value	$100\ \Omega \leq R_n \leq 5M\ \Omega$
阻值误差 Tolerance	$100\ \Omega \leq R_n \leq 1M\ \Omega \dots\dots\dots \pm 20\%$ $1M\ \Omega < R_n \leq 5M\ \Omega \dots\dots\dots \pm 30\%$
最大使用电压 Max voltage	250V DC (lin), 125V DC (no lin)
额定功率 Rated power	0.25W (lin), 0.12W (no lin)
线性 Taper	Lin, Log, ALog
残留电阻 Residual resistance	$\leq 5\%R_n(3\ \Omega \text{ min})$
平滑性 Equivalent noise resistance	$\leq 3\%R_n(3\ \Omega \text{ min})$

机械性能 MECHANICAL SPECIFICATIONS

机械旋转角度 Mechanical rotation angle	265° ±5°
电气旋转角度 Electrical rotation angle	240° ±20°
旋转力矩 Torque	0.5~2.5Ncm
止档力矩 Stop torque	>10Ncm
机械耐久性 Mechanical endurance	10,000Cycles
焊接 Soldering	温度 T≤260°C±5°C,时间 t≤10s

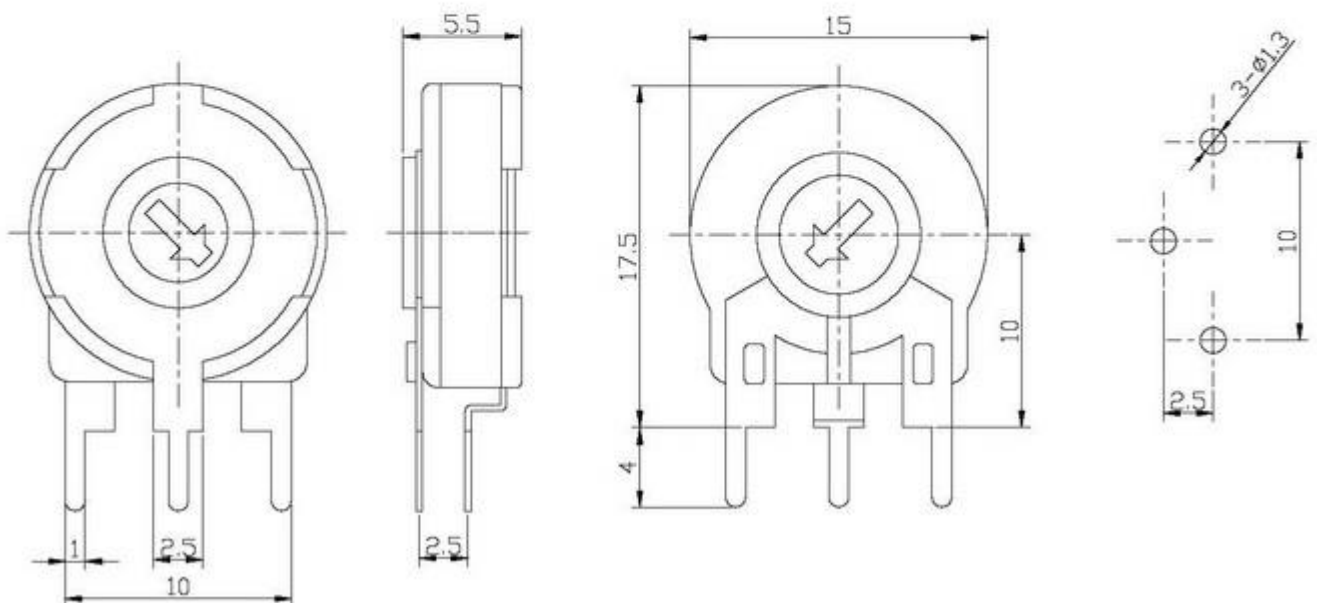
外形图及安装尺寸 DRAWING AND MOUNTING

ROTORS 孔的形式

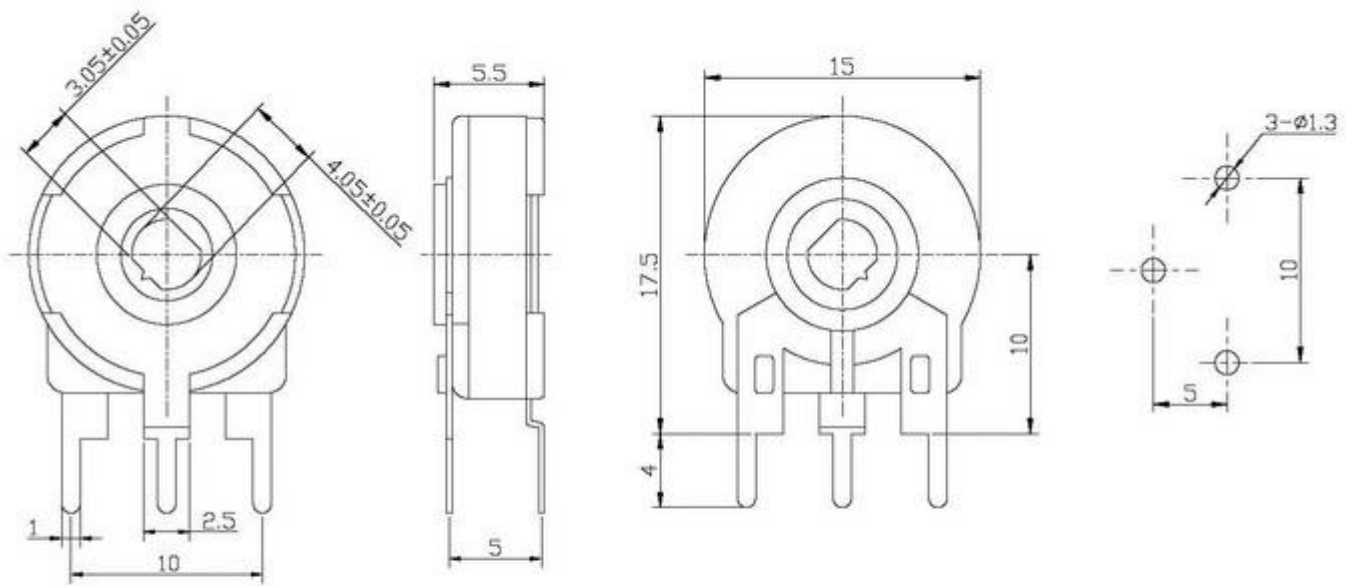


H=Vertical mount/ Horizontal adjust 立式—水平调节

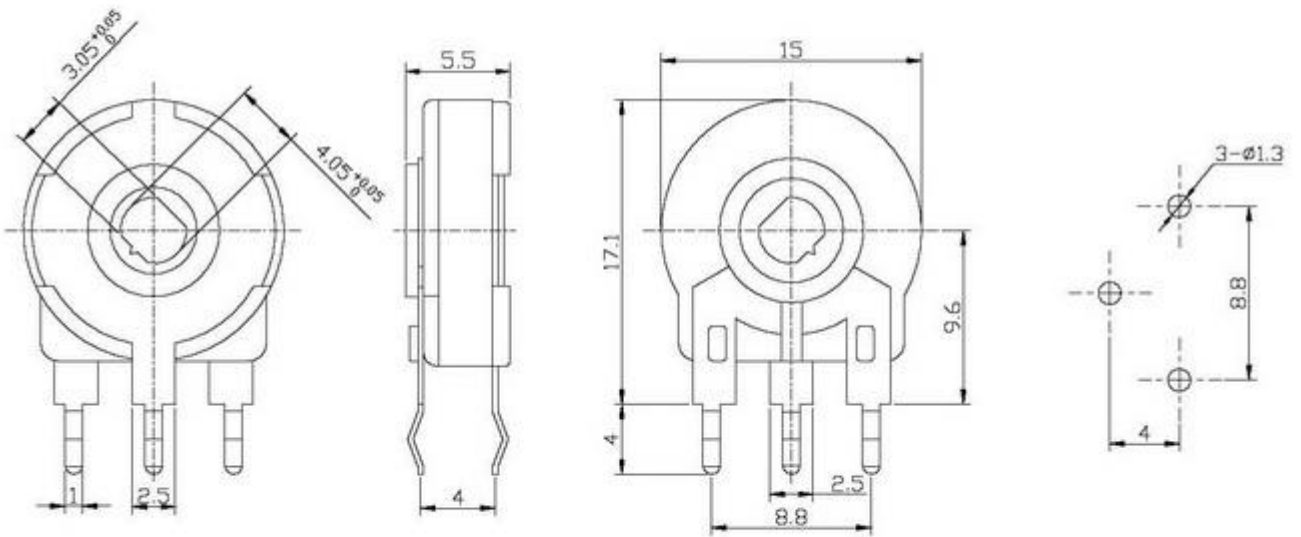
h(2.5)



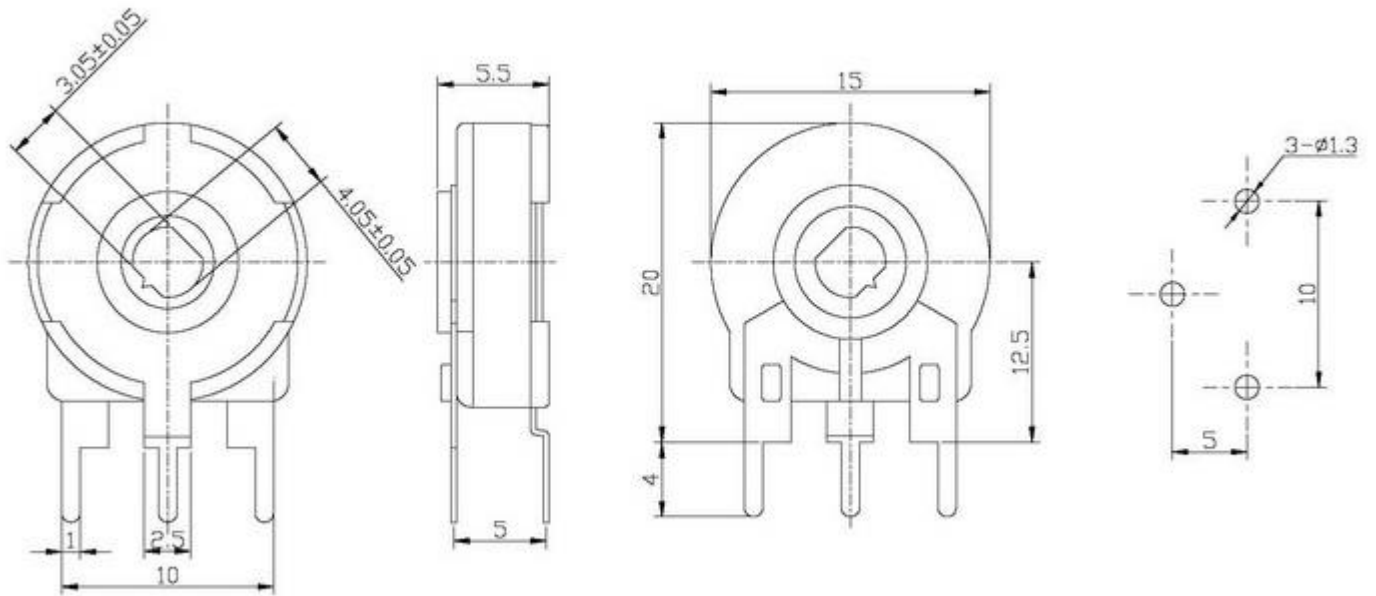
h(5)



B

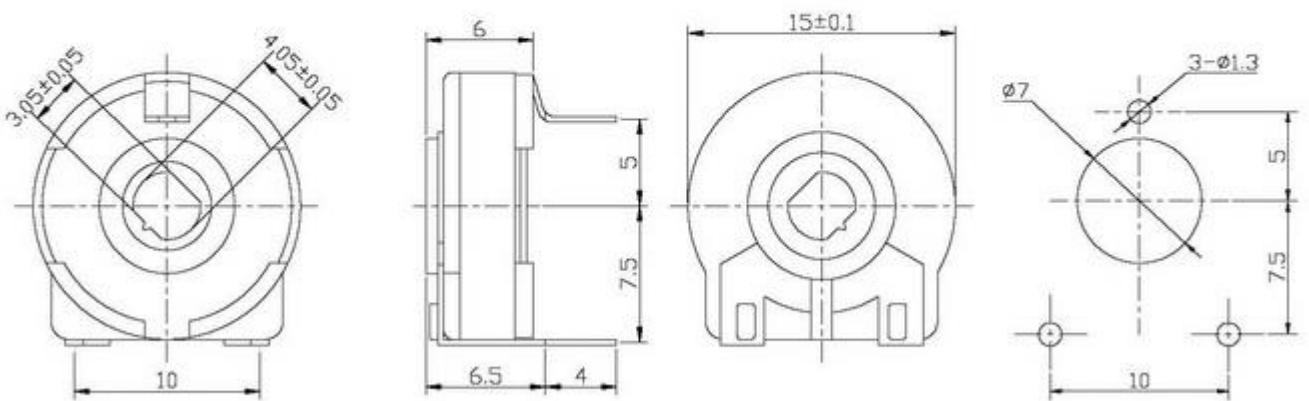


Hc(5)

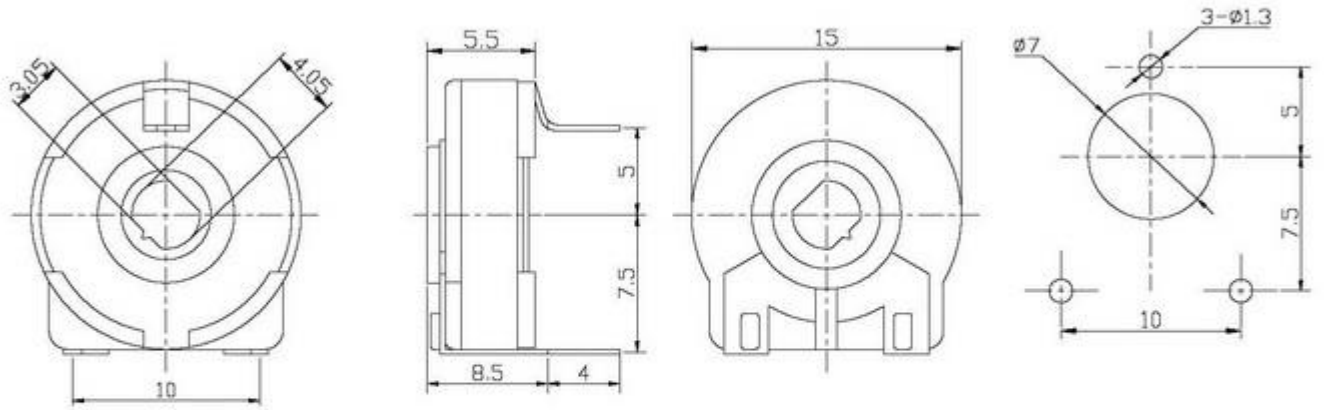


V=Horizontal mount/Vertical adjust 卧式-垂直调节

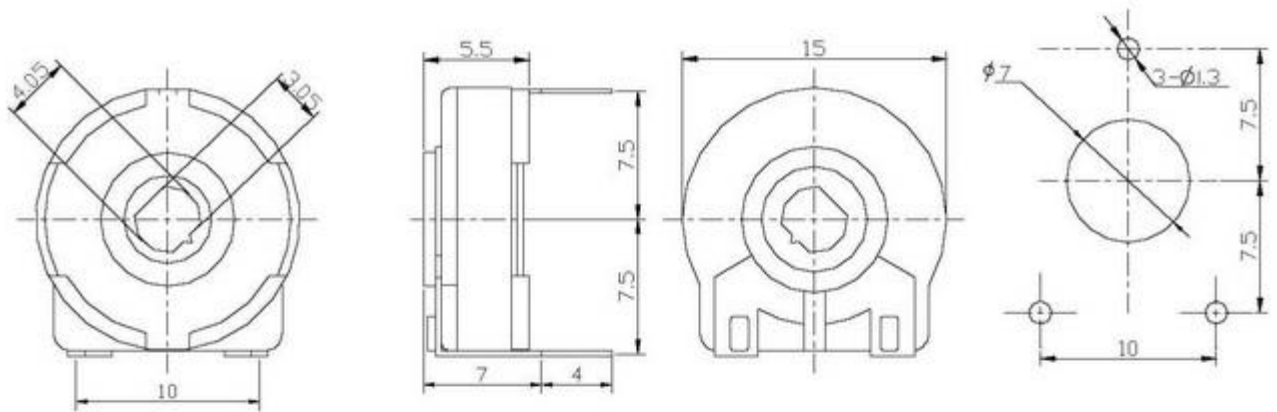
V(12.5)



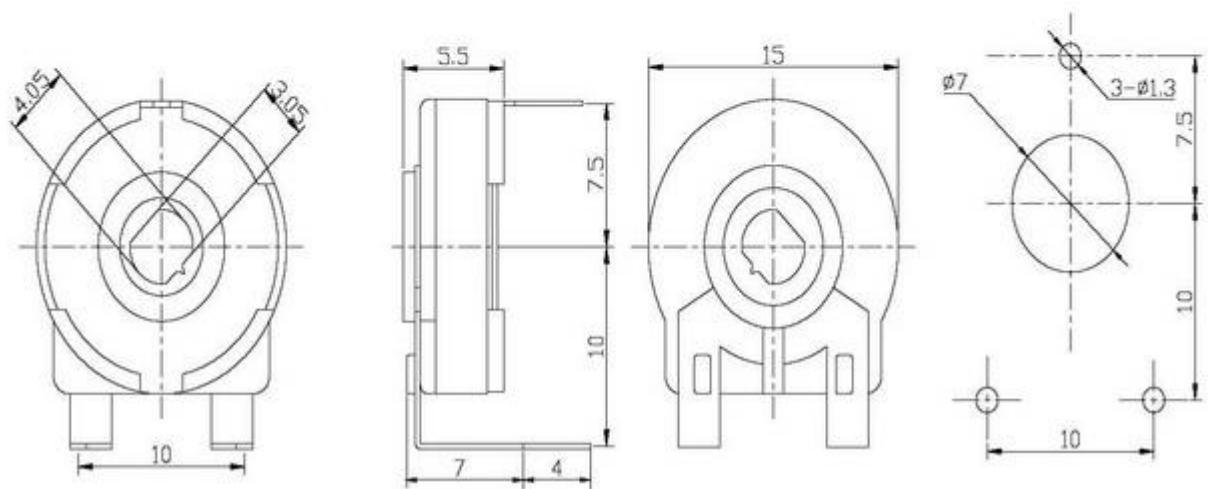
Va(12.5)



V(15)

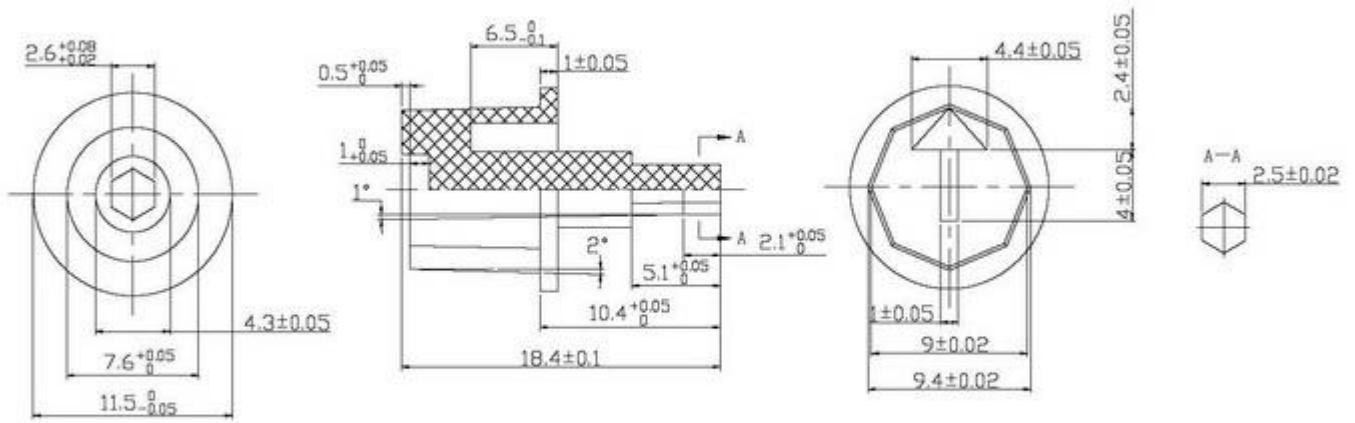


V(17.5)



SHAFT SIZE

NO.01



NO.02

