

PT-103S(5*2.5)

3 Pins, Vertical Mount/ Horizontal Adjust, Arrow Slot, Pitch: 5x2.5mm, RoHS Compliant

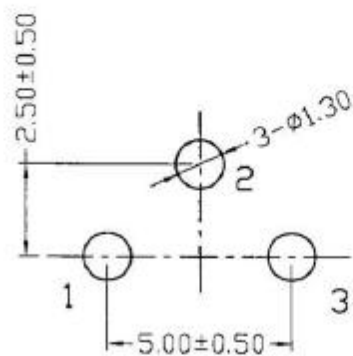
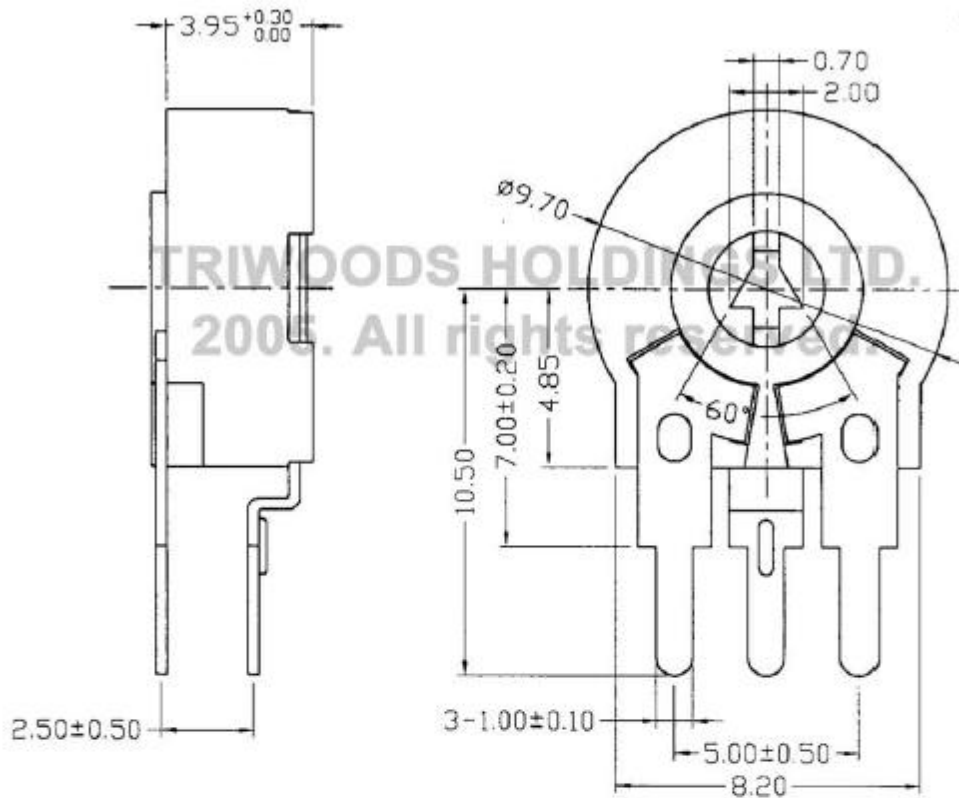
RoHS

GENERAL SPEC.

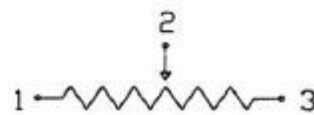
Nominal Resistance:	200 Ω to 2M Ω
Std. Res. Tolerance:	+/- 30%
Residual Resistance	less than 10 Ω
Taper:	Logairthm (A), Linear (B) and Anti-logairthm(C)
Power Rating:	0.15 W for Linear Taper, 0.07 for other tapers
Operating Voltage:	250V for Linear Taper, 125V for other Tapers.
Rotational Life:	500 Cycles/ 10,000 Cycles
<hr/>	
Rotational Angle:	235°± 5 °
Torque:	20 ~ 200g.cm
End-Stop Strength:	400g.cm minimum
<hr/>	
Operating Temperature:	-25°C ~ +75°C
Temp. Characteristics:	+5 ~ -30% change in resistance after 5 hours at 70°C
Humidity Characteristics:	Maximum 20% Change in Resistance after 350 hours at 40°C and RH 95% loaded
<hr/>	
Soldering Method	Hand Soldering
Soldering Temperature:	260°C
Soldering Time:	3 seconds

APPEARANCE

DRAWING



RECOMMEND P.C.B LAYOUT



CIRCUIT



三達集團有限公司
Triwoods Holdings Ltd.

PT-103S(5*2.5)

DRAWING NO	REV	SHEET/OF
TEC-WI-E.VX-244	A4	