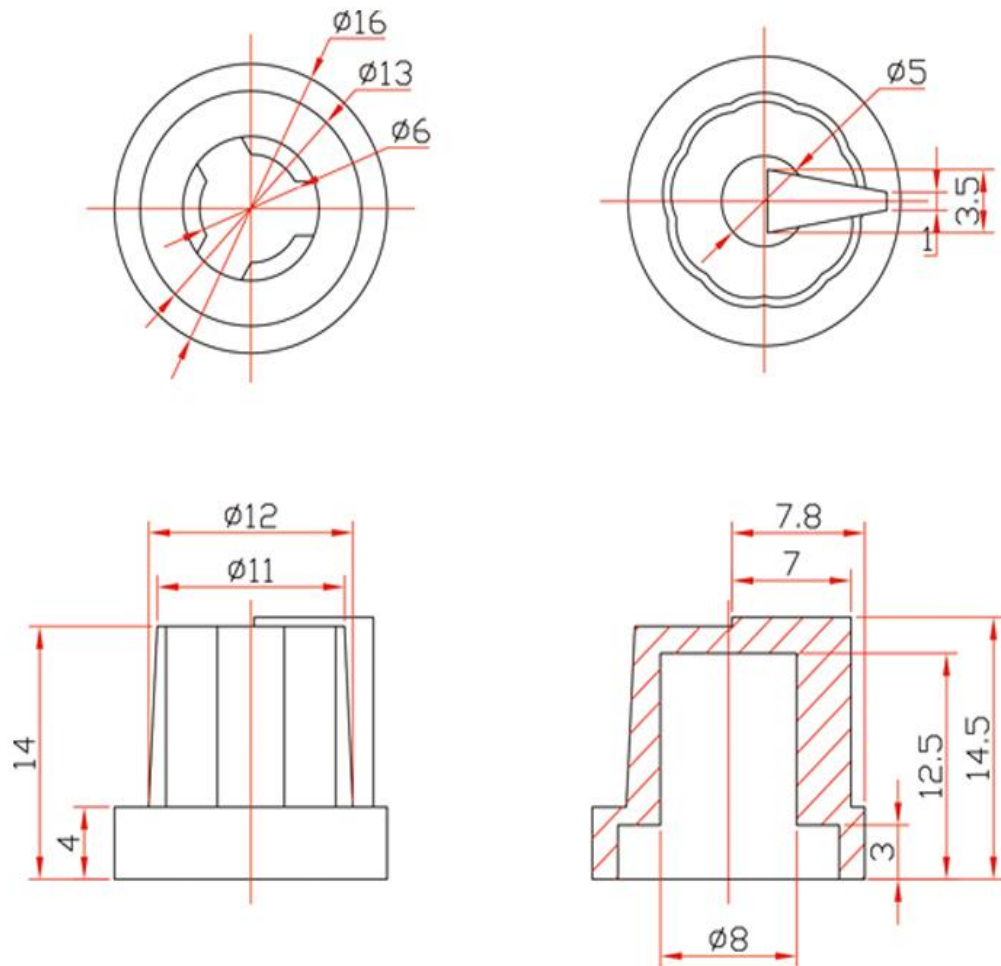
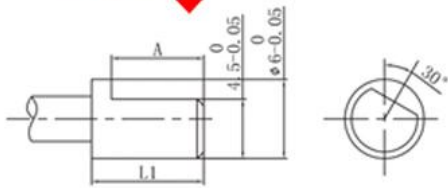


DIMENSIONAL DRAWING & MODEL EXPLANATION

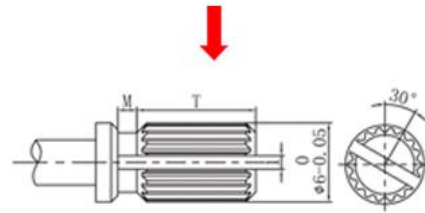


YUEQING OMTER ELECTRONIC & TECHNOLOGY CO., LTD.

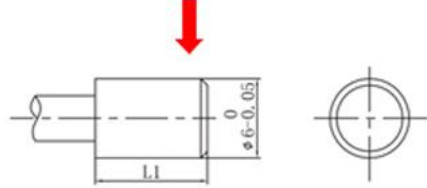
Shaft:D
Shaft



Shaft:6 * 18Teeth



Shaft:6mm



Shaft:6.4mm



YUEQING OMTER ELECTRONIC & TECHNOLOGY CO., LTD.