



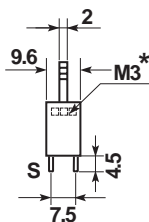
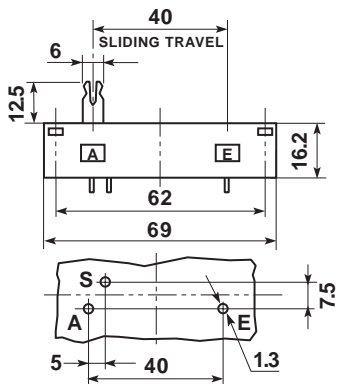
Carbon Slider Potentiometers - 40 mm travel

Mechanical data

Travel: 40 mm
 Operating force: $0.7 \div 2$ N
 Permissible force at end stop: 50 N max
 Permissible lateral force on spindle: 20 N max
 Permissible axial force on spindle: 50 N (5 sec. max)
 Permissible torque on spindle: 30 Ncm max
 Packing: 100 pcs

Electrical data

Rated dissipation @40°C: 0.3 W lin. law
 0.15 W log. law
 Limiting element voltage: 350 VDC
 Resistance tolerance: 220R to 1 M0: $\pm 20\%$
 over 1 M0 $\pm 30\%$
 Resistance range: 220R to 4M7 lin. law
 470R to 2M2 log. law

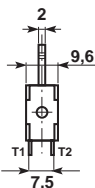
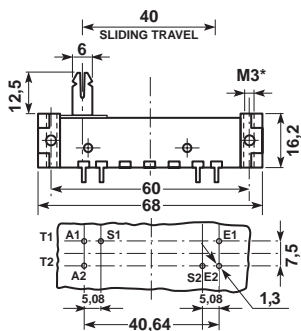


*For M3 screws



CI PGST 4400
Dust protection

Dimensions in mm



*For M3 screws

T1 Single
T1+T2 Stereo



CI PGST 400100M
CI PGST 400100S stereo

Stock Types

Laws		Values								
Lin.	A	1K0	2K2	4K7	10K	22K	47K	100K	220K	470K
Log.	B	1K0	2K2	4K7	10K	22K	47K	100K	220K	470K

For other technical specifications please visit the internet site www.radiohm.com
 >>Products >>Potentiometers & Switches >>Carbon Slider Potentiometers