

RF-500TB

OUTPUT : 0.01W ~ 2.0W (APPROX)

貴金属ブラシ | Precious metal-brush motors | 貴金属電刷



代表的用途 音響・映像機器

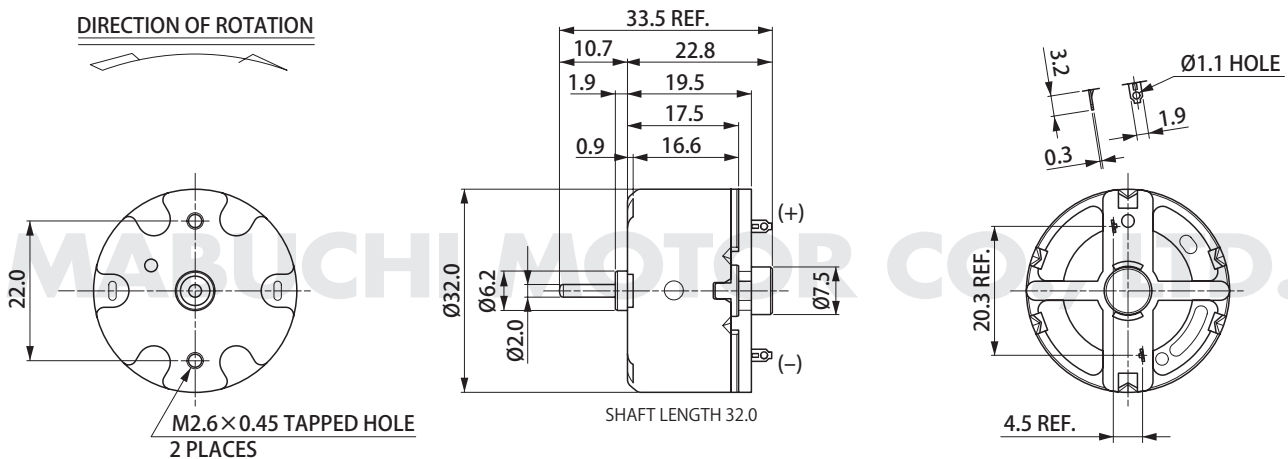
Typical Applications Audio and Visual Equipment

主要用途 音響、映像機器

WEIGHT : 45g (APPROX)

MODEL	VOLTAGE		NO LOAD		AT MAXIMUM EFFICIENCY					STALL		
	OPERATING RANGE	NOMINAL	SPEED	CURRENT	SPEED	CURRENT	TORQUE		OUTPUT	TORQUE		CURRENT
			r/min	A	r/min	A	mN-m	g-cm	W	mN-m	g-cm	A
RF-500TB-14415	1.5~9.0	5V CONSTANT	3100	0.026	2540	0.12	1.23	12.6	0.33	6.86	70	0.54
RF-500TB-12560	4~14	12V CONSTANT	5500	0.025	4630	0.13	1.79	18.2	0.86	11.3	115	0.71

DIRECTION OF ROTATION

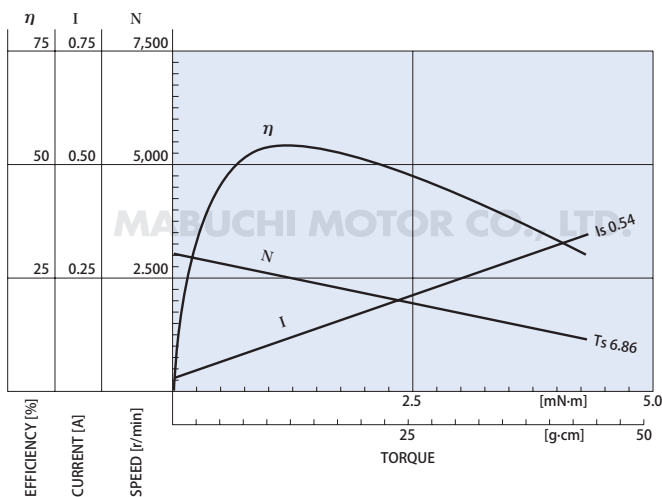


取付けネジの長さはモータケース面より1.5以下
Usable machine screw length 1.5 max. from motor mounting surface.
安装螺丝的长度须从马达壳面算起1.5以内

UNIT : MILLIMETERS

RF-500TB-14415

5.0V



RF-500TB-12560

12.0V

