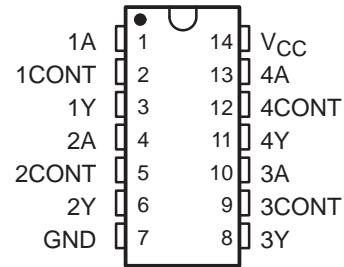


MC1489, MC1489A, SN55189, SN55189A, SN75189, SN75189A QUADRUPLE LINE RECEIVERS

SLLS095D – SEPTEMBER 1973 – REVISED OCTOBER 1998

- Input Resistance . . . 3 k Ω to 7 k Ω
- Input Signal Range . . . ± 30 V
- Operate From Single 5-V Supply
- Built-In Input Hysteresis (Double Thresholds)
- Response Control that Provides:
Input Threshold Shifting
Input Noise Filtering
- Meet or Exceed the Requirements of
TIA/EIA-232-F and ITU Recommendation
V.28
- Fully Interchangeable With Motorola™
MC1489 and MC1489A

SN55189, SN55189A . . . J OR W PACKAGE
MC1489, MC1489A, SN75189, SN75189A
D, N, OR NS† PACKAGE
(TOP VIEW)



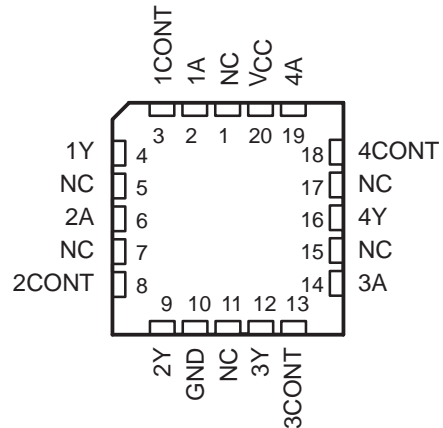
† The NS package is only available left-end taped and reeled.
For SN75189, order SN75189NSR.

description

These devices are monolithic low-power Schottky quadruple line receivers designed to satisfy the requirements of the standard interface between data-terminal equipment and data-communication equipment as defined by TIA/EIA-232-F. A separate response-control (CONT) terminal is provided for each receiver. A resistor or a resistor and bias-voltage source can be connected between this terminal and ground to shift the input threshold levels. An external capacitor can be connected between this terminal and ground to provide input noise filtering.

The SN55189 and SN55189A are characterized for operation over the full military temperature range of -55°C to 125°C . The MC1489, MC1489A, SN75189, and SN75189A are characterized for operation from 0°C to 70°C .

SN55189, SN55189A . . . FK PACKAGE
(TOP VIEW)



NC – No internal connection



Please be aware that an important notice concerning availability, standard warranty, and use in critical applications of Texas Instruments semiconductor products and disclaimers thereto appears at the end of this data sheet.

Motorola is a trademark of Motorola, Incorporated.

PRODUCTION DATA information is current as of publication date. Products conform to specifications per the terms of Texas Instruments standard warranty. Production processing does not necessarily include testing of all parameters.

 **TEXAS
INSTRUMENTS**

POST OFFICE BOX 655303 • DALLAS, TEXAS 75265

Copyright © 1998, Texas Instruments Incorporated
On products compliant to MIL-PRF-38535, all parameters are tested unless otherwise noted. On all other products, production processing does not necessarily include testing of all parameters.

MC1489, MC1489A, SN55189, SN55189A, SN75189, SN75189A QUADRUPLE LINE RECEIVERS

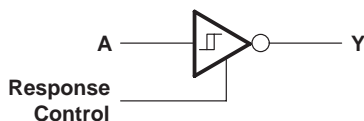
SLLS095D – SEPTEMBER 1973 – REVISED OCTOBER 1998

logic symbol†

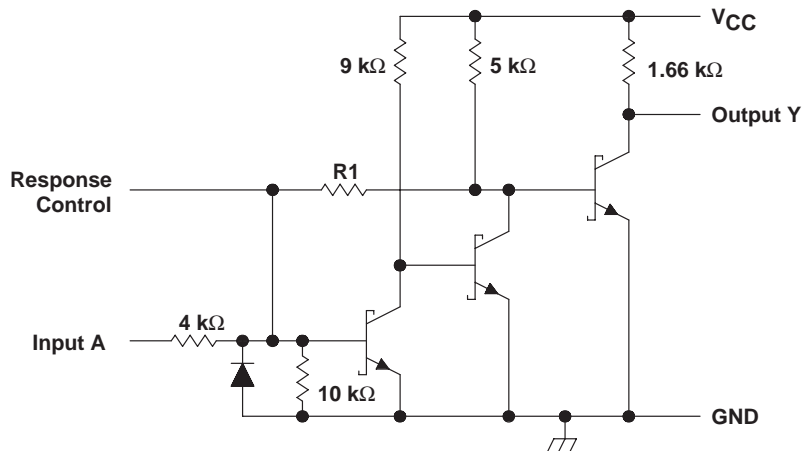


† This symbol is in accordance with ANSI/IEEE Std 91-1984 and IEC Publication 617-12. Pin numbers shown are for the D, J, N, NS, and W packages.

logic diagram (positive logic)



schematic (each receiver)



| | | |
|----|------------------------------|---------------------------------|
| | MC1489 SN55189 SN75189 | MC1489A SN55189A SN75189A |
| R1 | 8.4 kΩ | 1.84 kΩ |

Resistor values shown are nominal.

MC1489, MC1489A, SN55189, SN55189A, SN75189, SN75189A QUADRUPLE LINE RECEIVERS

SLLS095D – SEPTEMBER 1973 – REVISED OCTOBER 1998

absolute maximum ratings over operating free-air temperature (unless otherwise noted)†

| | |
|---|------------------------------|
| Supply voltage, V_{CC} (see Note 1) | 10 V |
| Input voltage, V_I | ± 30 V |
| Output voltage, I_O | 20 mA |
| Continuous total power dissipation | See Dissipation Rating Table |
| Operating free-air temperature range, T_A : SN55189, SN55189A | –55°C to 125°C |
| MC1489, MC1489A, SN75189, SN75189A | 0°C to 70°C |
| Storage temperature range, T_{stg} | –65°C to 150°C |
| Case temperature for 60 seconds, FK package | 260°C |
| Lead temperature 1,6 mm (1/16 inch) from case for 60 seconds: J or W package | 300°C |
| Lead temperature 1,6 mm (1/16 inch) from case for 10 seconds: D, N, or NS package | 260°C |

† Stresses beyond those listed under “absolute maximum ratings” may cause permanent damage to the device. These are stress ratings only, and functional operation of the device at these or any other conditions beyond those indicated under “recommended operating conditions” is not implied. Exposure to absolute-maximum-rated conditions for extended periods may affect device reliability.

NOTES: 1. All voltage values are with respect to the network ground terminal.

DISSIPATION RATING TABLE

| PACKAGE | $T_A \leq 25^\circ\text{C}$ POWER RATING | DERATING FACTOR ABOVE $T_A = 25^\circ\text{C}$ | $T_A = 70^\circ\text{C}$ POWER RATING | $T_A = 125^\circ\text{C}$ POWER RATING |
|---------|---|---|--|---|
| D | 950 mW | 7.6 mW/°C | 608 mW | N/A |
| FK | 1375 mW | 11.0 mW/°C | 880 mW | 275 mW |
| J‡ | 1375 mW | 11.0 mW/°C | 880 mW | 275 mW |
| N | 1150 mW | 9.2 mW/°C | 736 mW | N/A |
| NS | 625 mW | 4.0 mW/°C | 445 mW | N/A |
| W | 1000 mW | 8.0 mW/°C | 640 mW | 200 mW |

‡ In the J package, SN55189 and SN55189A chips are either silver glass or alloy mounted.

recommended operating conditions

| | MIN | NOM | MAX | UNIT |
|---------------------------------------|-----|-----|------|------|
| Supply voltage, V_{CC} | 4.5 | 5 | 5.5 | V |
| Input voltage, V_I | –25 | | 25 | V |
| High-level output current, I_{OH} | | | –0.5 | mA |
| Low-level output current, I_{OL} | | | 10 | mA |
| Operating free-air temperature, T_A | 0 | | 70 | °C |



MC1489, MC1489A, SN55189, SN55189A, SN75189, SN75189A QUADRUPLE LINE RECEIVERS

SLLS095D – SEPTEMBER 1973 – REVISED OCTOBER 1998

electrical characteristics over operating free-air temperature range, $V_{CC} = 5\text{ V} \pm 1\%$ (unless otherwise noted)

| PARAMETER | TEST FIGURE | TEST CONDITIONS† | | SN55189 SN55189A | | | MC1489, MC1489A SN75189 SN75189A | | | UNIT |
|--|-------------|--|---|---------------------|------|------|--|------|------|------|
| | | | | MIN | TYP‡ | MAX | MIN | TYP‡ | MAX | |
| V_{IT+} Positive-going input threshold voltage | 1 | '89 | $T_A = 25^\circ\text{C}$ | 1 | 1.3 | 1.5 | 1 | 1.3 | 1.5 | V |
| | | | $T_A = 0^\circ\text{C to } 70^\circ\text{C}$ | | | | 0.9 | 1.6 | | |
| | | | $T_A = -55^\circ\text{C to } 125^\circ\text{C}$ | 0.6 | 1.9 | | | | | |
| | | '89A | $T_A = 25^\circ\text{C}$ | 1.75 | 1.9 | 2.25 | 1.75 | 1.9 | 2.25 | |
| | | | $T_A = 0^\circ\text{C to } 70^\circ\text{C}$ | | | | 1.55 | 2.25 | | |
| | | | $T_A = -55^\circ\text{C to } 125^\circ\text{C}$ | 1.30 | 2.65 | | | | | |
| V_{IT-} Negative-going input threshold voltage | 1 | '89, '89A | $T_A = 25^\circ\text{C}$ | 0.75 | 1.0 | 1.25 | 0.75 | 1.0 | 1.25 | V |
| | | | $T_A = 0^\circ\text{C to } 70^\circ\text{C}$ | | | | 0.65 | 1.25 | | |
| | | | $T_A = -55^\circ\text{C to } 125^\circ\text{C}$ | 0.35 | 1.6 | | | | | |
| V_{OH} High-level output voltage | 1 | $V_I = 0.75\text{ V}, I_{OH} = -0.5\text{ mA}$ | | 2.6 | 4 | 5 | 2.6 | 4 | 5 | V |
| | | Input open, $I_{OH} = -0.5\text{ mA}$ | | 2.6 | 4 | 5 | 2.6 | 4 | 5 | |
| V_{OL} Low-level output voltage | 1 | $V_I = 3\text{ V}, I_{OL} = 10\text{ mA}$ | | 0.2 | | 0.45 | 0.2 | | 0.45 | V |
| I_{IH} High-level input current | 2 | $V_I = 25\text{ V}$ | | 3.6 | 8.3 | | 3.6 | 8.3 | | mA |
| | | $V_I = 3\text{ V}$ | | 0.43 | | | 0.43 | | | |
| I_{IL} Low-level input current | 2 | $V_I = -25\text{ V}$ | | -3.6 | -8.3 | | -3.6 | -8.3 | | mA |
| | | $V_I = -3\text{ V}$ | | -0.43 | | | -0.43 | | | |
| I_{OS} Short-circuit output current | 3 | | | -3 | | -3 | | | | mA |
| I_{CC} Supply current | 2 | $V_I = 5\text{ V},$ Outputs open | | 20 | | 26 | 20 | | 26 | mA |

† All characteristics are measured with the response-control terminal open.

‡ All typical values are at $V_{CC} = 5\text{ V}, T_A = 25^\circ\text{C}$.

switching characteristics, $V_{CC} = 5\text{ V}, C_L = 15\text{ pF}, T_A = 25^\circ\text{C}$

| PARAMETER | TEST FIGURE | TEST CONDITIONS | MIN | TYP | MAX | UNIT |
|---|-------------|----------------------------|-----|-----|-----|------|
| t_{PLH} Propagation delay time, low- to high-level output | 4 | $R_L = 3.9\text{ k}\Omega$ | | 25 | 85 | ns |
| t_{PHL} Propagation delay time, high- to low-level output | | $R_L = 390\ \Omega$ | | 25 | 50 | |
| t_{TLH} Transition time, low- to high-level output | | $R_L = 3.9\text{ k}\Omega$ | | 120 | 175 | ns |
| t_{THL} Transition time, high- to low-level output | | $R_L = 390\ \Omega$ | | 10 | 20 | |



PARAMETER MEASUREMENT INFORMATION†

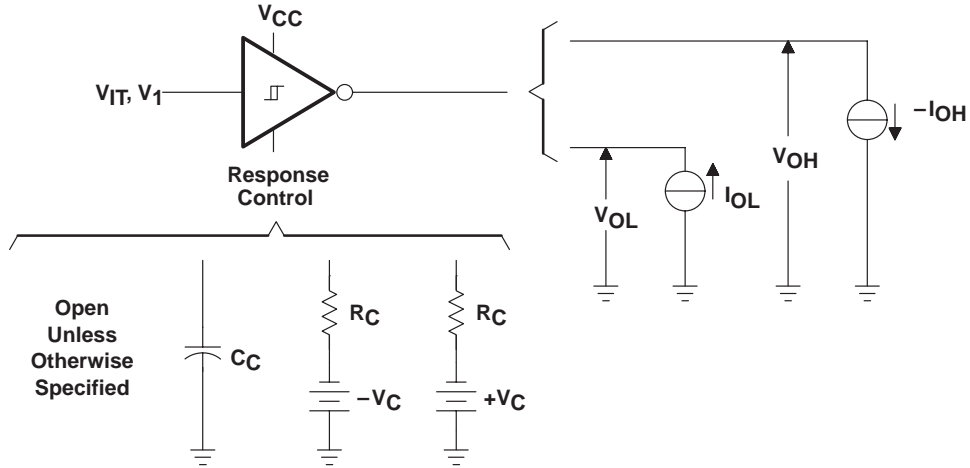
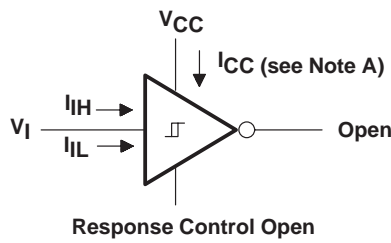


Figure 1. V_{IT+} , V_{IT-} , V_{OH} , V_{OL}



NOTE A: I_{CC} is tested for all four receivers simultaneously.

Figure 2. I_{iH} , I_{iL} , I_{CC}

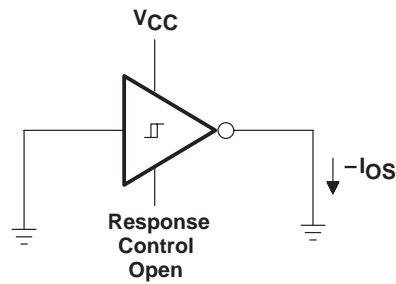


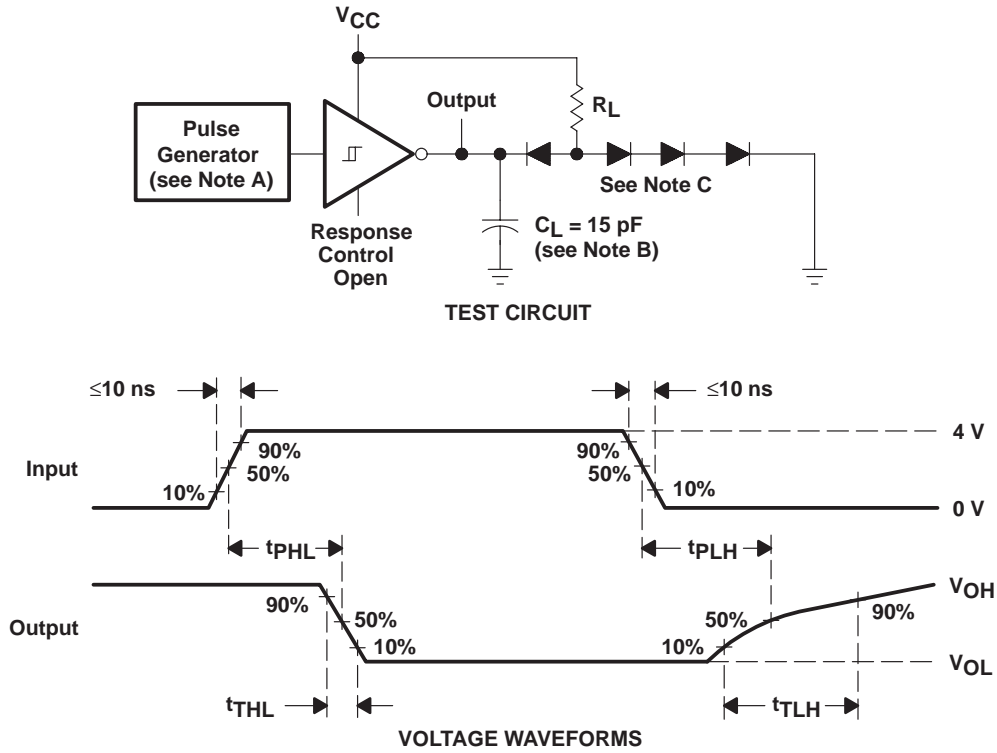
Figure 3. I_{OS}

† Arrows indicate actual direction of current flow. Current into a terminal is a positive value.

MC1489, MC1489A, SN55189, SN55189A, SN75189, SN75189A QUADRUPLE LINE RECEIVERS

SLLS095D – SEPTEMBER 1973 – REVISED OCTOBER 1998

PARAMETER MEASUREMENT INFORMATION



- NOTES: A. The pulse generator has the following characteristics: $Z_O = 50 \Omega$, $t_w = 500 \text{ ns}$.
 B. C_L includes probe and jig capacitances.
 C. All diodes are 1N3064 or equivalent.

Figure 4. Test Circuit and Voltage Waveforms

MC1489, MC1489A, SN55189, SN55189A, SN75189, SN75189A QUADRUPLE LINE RECEIVERS

SLLS095D – SEPTEMBER 1973 – REVISED OCTOBER 1998

TYPICAL CHARACTERISTICS

SN65189, SN75189
OUTPUT VOLTAGE
vs
INPUT VOLTAGE

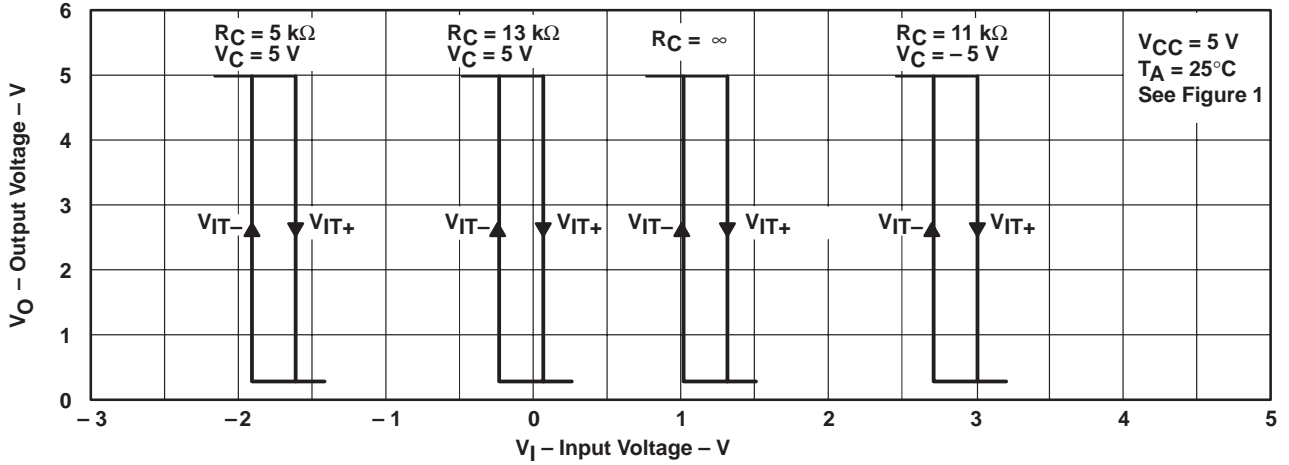


Figure 5

SN65189A, SN75189A
OUTPUT VOLTAGE
vs
INPUT VOLTAGE



Figure 6

MC1489, MC1489A, SN55189, SN55189A, SN75189, SN75189A QUADRUPLE LINE RECEIVERS

SLLS095D – SEPTEMBER 1973 – REVISED OCTOBER 1998

TYPICAL CHARACTERISTICS†



Figure 7

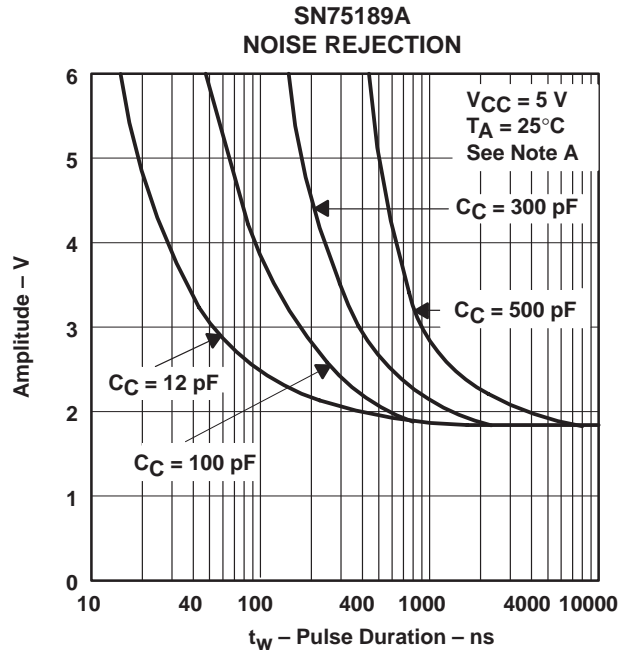


Figure 8



NOTE A: Maximum amplitude of a positive-going pulse that, starting from 0 V, will not cause a change in the output level.

Figure 9



NOTE A: Maximum amplitude of a positive-going pulse that, starting from 0 V, will not cause a change in the output level.

Figure 10

† Data for free-air temperatures below 0°C and above 70°C are applicable to SN55189 and SN55189A circuits only.

TYPICAL CHARACTERISTICS

INPUT CURRENT
vs
INPUT VOLTAGE

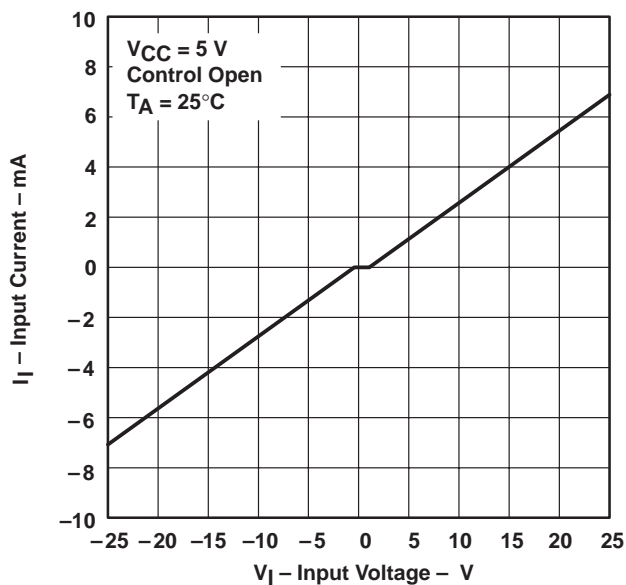


Figure 11

IMPORTANT NOTICE

Texas Instruments and its subsidiaries (TI) reserve the right to make changes to their products or to discontinue any product or service without notice, and advise customers to obtain the latest version of relevant information to verify, before placing orders, that information being relied on is current and complete. All products are sold subject to the terms and conditions of sale supplied at the time of order acknowledgement, including those pertaining to warranty, patent infringement, and limitation of liability.

TI warrants performance of its semiconductor products to the specifications applicable at the time of sale in accordance with TI's standard warranty. Testing and other quality control techniques are utilized to the extent TI deems necessary to support this warranty. Specific testing of all parameters of each device is not necessarily performed, except those mandated by government requirements.

CERTAIN APPLICATIONS USING SEMICONDUCTOR PRODUCTS MAY INVOLVE POTENTIAL RISKS OF DEATH, PERSONAL INJURY, OR SEVERE PROPERTY OR ENVIRONMENTAL DAMAGE ("CRITICAL APPLICATIONS"). TI SEMICONDUCTOR PRODUCTS ARE NOT DESIGNED, AUTHORIZED, OR WARRANTED TO BE SUITABLE FOR USE IN LIFE-SUPPORT DEVICES OR SYSTEMS OR OTHER CRITICAL APPLICATIONS. INCLUSION OF TI PRODUCTS IN SUCH APPLICATIONS IS UNDERSTOOD TO BE FULLY AT THE CUSTOMER'S RISK.

In order to minimize risks associated with the customer's applications, adequate design and operating safeguards must be provided by the customer to minimize inherent or procedural hazards.

TI assumes no liability for applications assistance or customer product design. TI does not warrant or represent that any license, either express or implied, is granted under any patent right, copyright, mask work right, or other intellectual property right of TI covering or relating to any combination, machine, or process in which such semiconductor products or services might be or are used. TI's publication of information regarding any third party's products or services does not constitute TI's approval, warranty or endorsement thereof.