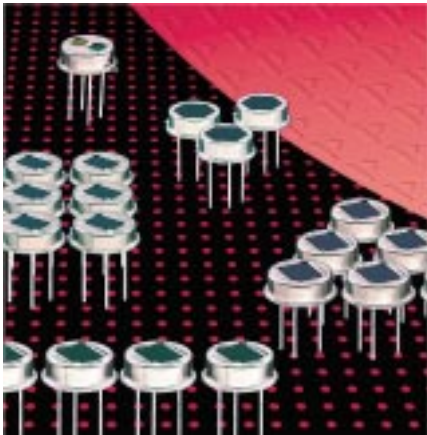


# Pyroelectric Detector LHi 954/958

## Dual Element configuration including FET and optical window

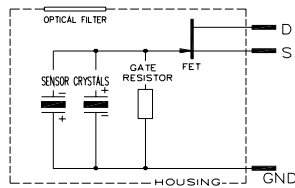
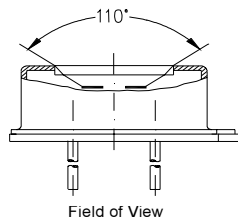


Dual Element Detector

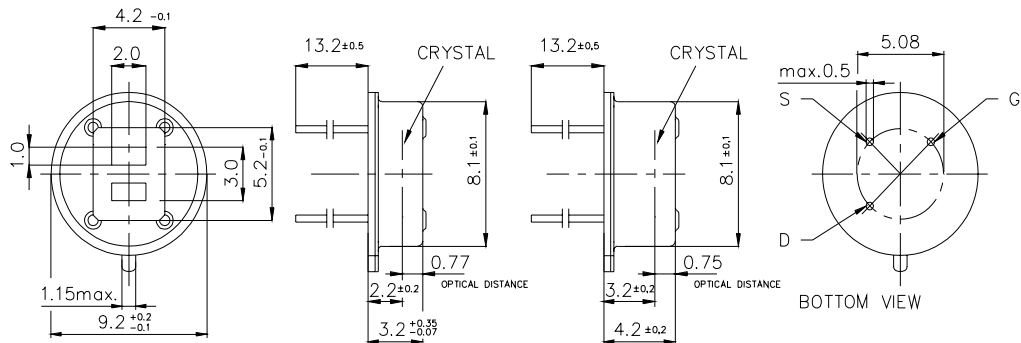
Designed in with many Applications

The **LHi 954** and **LHi 958** pyroelectric infrared-detectors have been industry standard for more than 10 years. They both are dual element types with FET in source follower connection.

The **LHi 954** detector is available in **TO-39** housing with standard infrared filter whereas the **LHi 958** is the same detector in a **TO-5** housing with standard infrared filter.



Parameters	LHi		954 / 958		units	condition
	min	typical	max			
<b>Element size</b>	2x1				mm <sup>2</sup>	(2 elements)
<b>Responsivity</b>	3000	3700			V/W	100°C, 1 Hz
<b>Match</b>	1		10			%
<b>Noise</b>	20		50			µVpp 25°C, 0,3...10Hz
<b>Offset Voltage</b>	0,2	1,50				V R <sub>s</sub> =47kΩ, 25°C
<b>D*</b>	5,6x10 <sup>-7</sup>		17,5x10 <sup>-7</sup>		cm √Hz/W	1Hz Bw, 100°C, 1 Hz
<b>Output Impedance</b>	5		10			kΩ R <sub>s</sub> =47kΩ, 25°C.
<b>Operating Voltage</b>	2		12		V R <sub>s</sub> =47kΩ, 25°C	
<b>Field of View, horizontal</b>	110°				unobstructed	
<b>vertical</b>	110°				unobstructed	
<b>Operating Temperature -40</b>			85			°C non permanent
<b>Storage Temperature -40</b>			85			°C non permanent



Europe:  
**PerkinElmer** Optoelectronics  
 GmbH & Co KG  
 Wenzel Jaksch Str 31  
 65199 Wiesbaden / Germany  
 Phone +49(0)611 492 0  
 Fax +49(0)611 492 170

USA:  
**PerkinElmer** Optoelectronics  
 44370 Christy Street  
 Fremont, CA 94538-3180  
 Phone +510 979 6500  
 +800 775 6786  
 Fax +510 687 1140

Asia: Dimensions in mm  
**PerkinElmer** Optoelectronics  
 47, Ayer Rajah Crescent #06-12  
 Singapore 139947  
 Phone +65 775 2022  
 Fax +65 775 1008



Right for modification reserved / WS / 28.8.2003