



PLH-5K

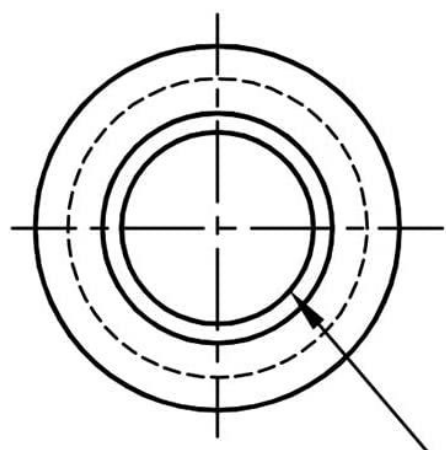
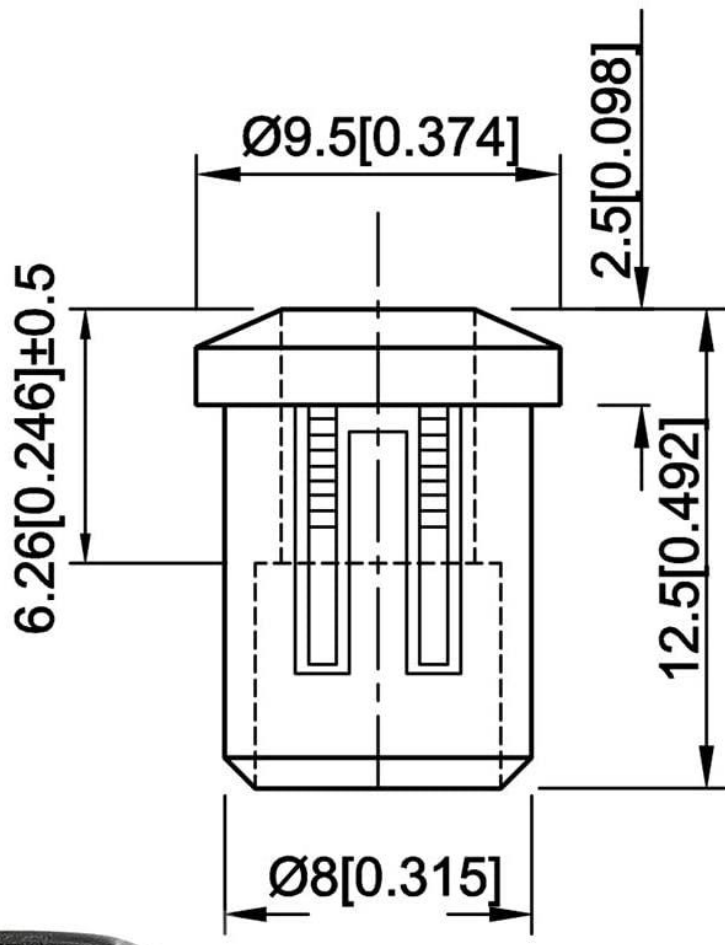


Fit LED Diode



Fit Prewired LED





$\text{Ø}5[0.197]$

UNIT : MM[INCH]

TOLERANCE : $\pm 0.25[\pm 0.01]$ UNLESS OTHERWISE NOTED