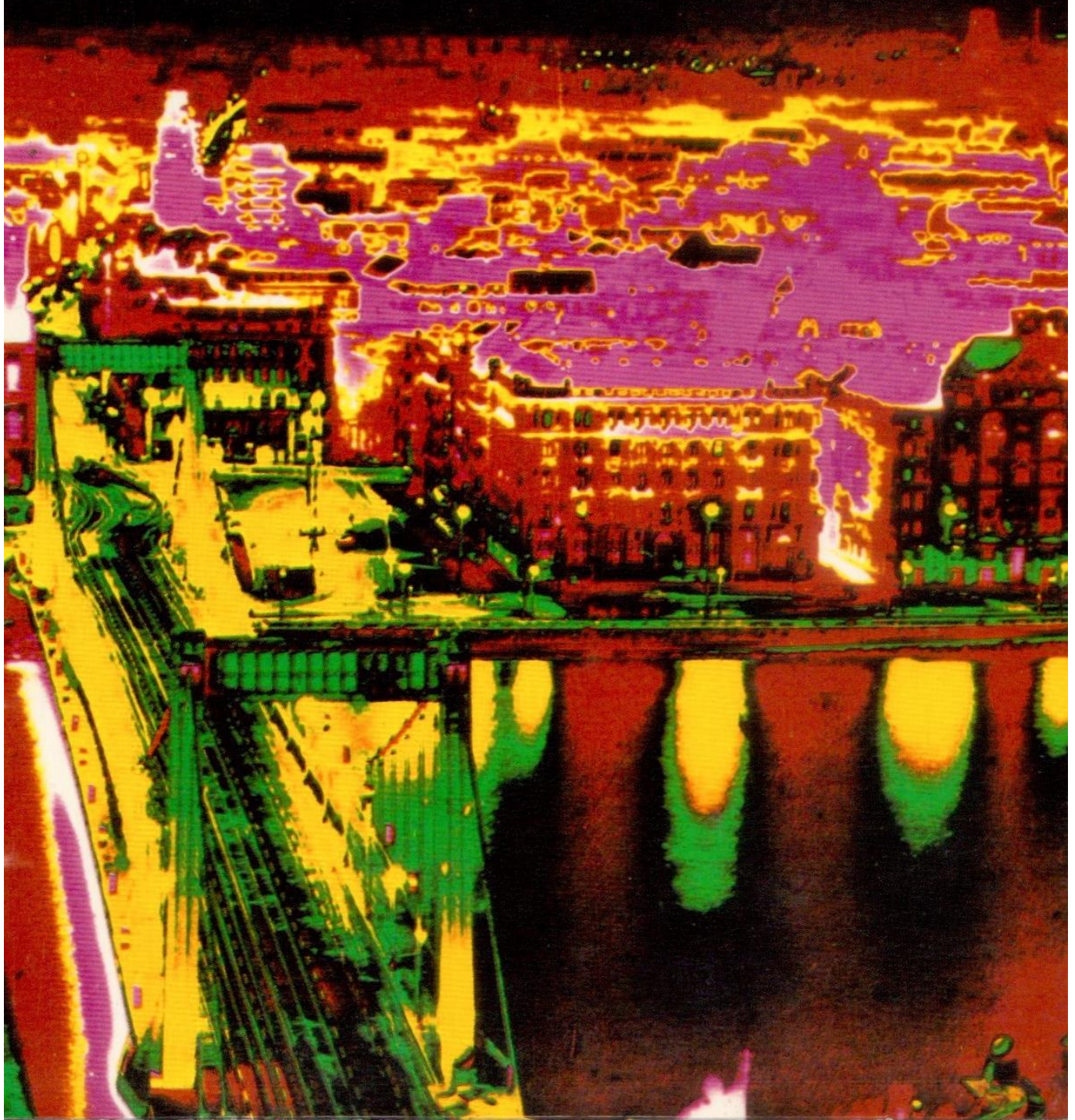
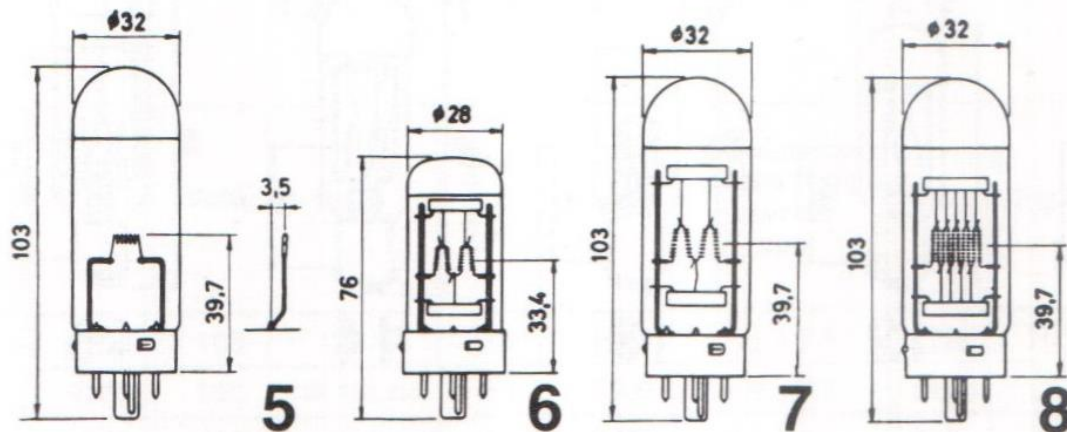


TUNGSRAM 

LAMPS
'79



PIN CAP PROJECTION LAMPS

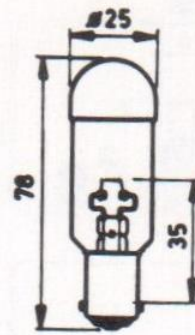


Type-No.	Watts	Volts	Avg. life, hours	Lumens	Dimensions of the light source, mm	Cap	Fig.	Burning position	Standard package quantity, pcs.
9208	150	24	25	4250	6,2 × 3,5 ¹	GY17q ²	5	3	25
9207	150	125	25	2900	7,5 × 5,5	G17q	6	2	25
9207	150	220, 230, 240	25	2700	9 × 8	G17q	6	2	25
9211	300	110, 120, 125	25	7400	9 × 9	G17q	7	2	25
9211	300	220, 230, 240	25	6900	11,5 × 8,5	G17q	7	2	25
9215	500	110, 120, 125	25	12500	9 × 9	G17q	8	2	25
9215	500	220, 230, 240	25	11800	13 × 10	G17q	8	2	25

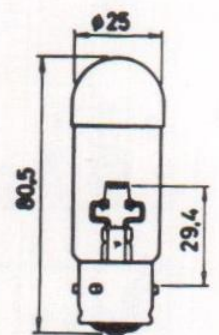
¹ The light source does not coincide with the lamp axis; during operation the lamp may slightly be tilted in the direction of the light source offset.

² two and two pins are connected in parallel; all the four carry current; special socket necessary

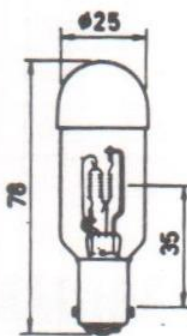
BAYONET CAP PROJECTION LAMPS



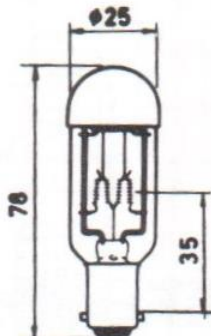
9



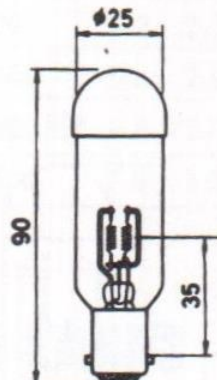
10



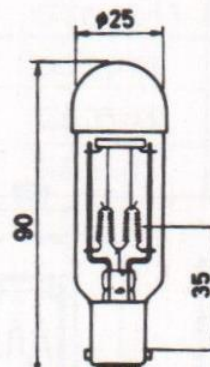
11



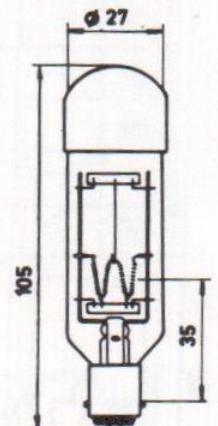
12



13



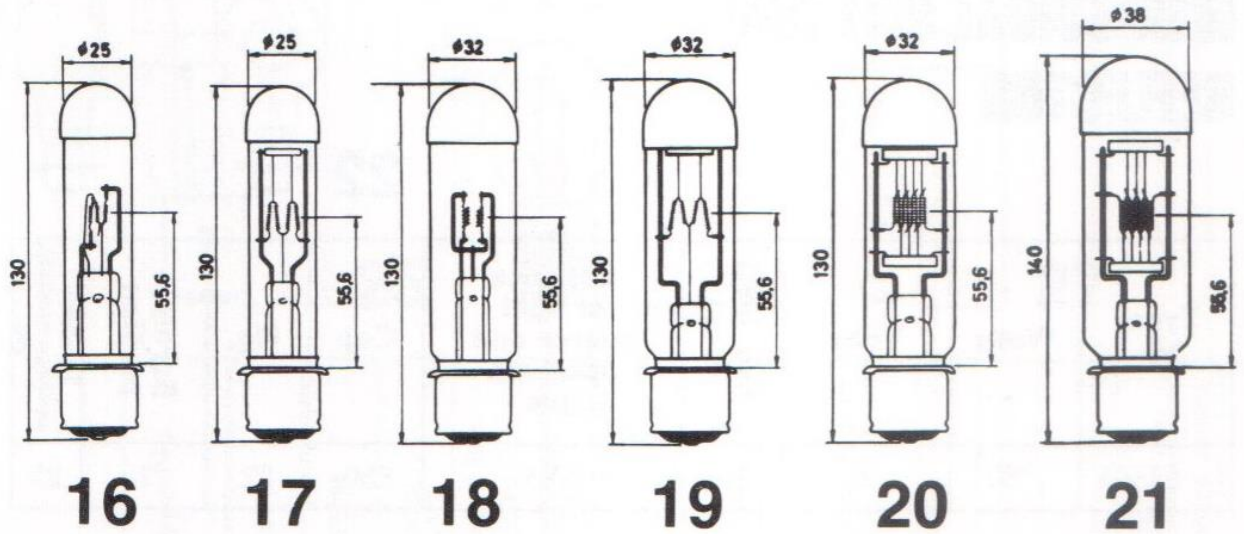
14



15

Type- No.	Watts	Volts	Avg. life, hours	Lumens	Dimensions of the light source, mm	Cap	Fig.	Burning position	Standard package quantity, pcs.
64038	100	12	25	2800	4 × 2.7	BA15s	9	2	100
64048	100	12	25	2800	4 × 2.7	BA21s-4	10	2	100
9202	100	110, 120	50	1800	5 × 5.5	BA15s	11	2	100
9202	100	220, 230, 240	50	1600	9 × 7.5	BA15s	12	2	100
9403	150	110, 120	25	2900	7 × 7	BA15s	13	2	100
9206	150	220, 230, 240	50	2700	9.5 × 8	BA15s	14	2	100
9404	200	110, 120	25	4400	6.5 × 6.5	BA15s	13	2	100
9405	300	110, 120	25	7000	9 × 9	BA15s	15	2	25
9405	300	220, 230, 240		6500	11.5 × 8.5				

PREFOCUS CAP PROJECTION LAMPS

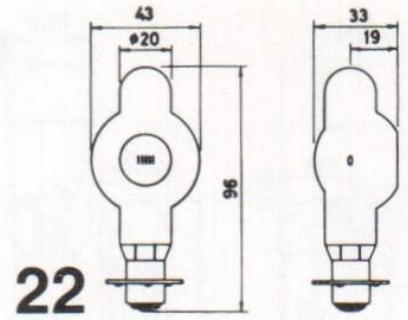


Type-No.	Watts	Volts	Avg. life, hours	Lumens	Dimensions of the light source, mm	Cap	Fig.	Burning position	Standard package quantity, pcs.
9200	100	110, 120	50	1900	6 × 5.5	P28s	16	2	25
9200	100	220, 230, 240	50	1500	9 × 7.5	P28s	17	2	25
9203	150	220, 230	50	2700	9.5 × 8	P28s	17	2	25
9406	250	120	50	5500	7 × 8	P28s	18	2	25
9253	250	220, 230	50	4800	11 × 8.5	P28s	19	2	25
9409	300	110, 120	25	7200	8.5 × 8	P28s	18	2	25
9251	300	220, 230, 240	25	6900	11.5 × 8	P28s	19	2	25
9245	375	75	50	9000	9 × 9	P28s	20 ¹	2	25
9258	500	110, 120	25	12500	8.4 × 8.4	P28s	20	2	25
9258	500	220, 230, 240	25	11800	12.3 × 9.6	P28s	20	2	25
9261	750	110, 120	25	19500	10.1 × 9.6	P28s	21	2	25
9261	750	220, 230	25	18150	13 × 10.5	P28s	21	2	25
9266	1000	110, 120	50	27500	11.1 × 11.3	P28s	21	2	25
9266	1000	220	50	25000	14 × 11	P28s	21	2	25

¹ with a light source of 5 filament coils

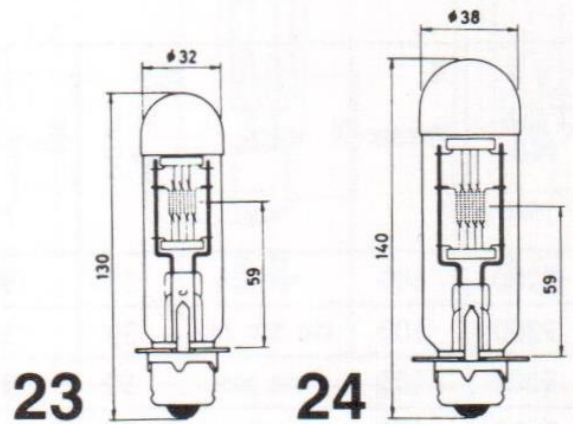
² The light source does not coincide with the lamp axis; during operation the lamp may slightly be tilted in the direction of the light source offset.

PROJECTION LAMPS WITH ELLIPSOIDAL INTEGRAL REFLECTOR

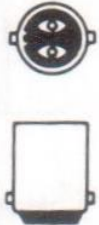
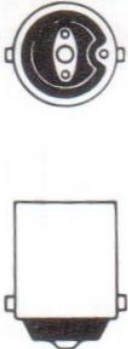

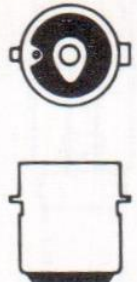
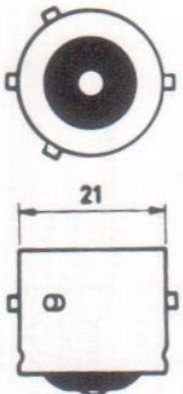


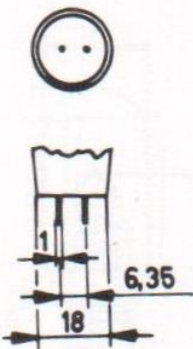
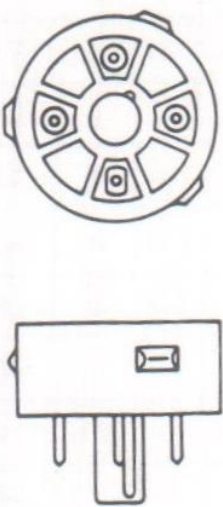


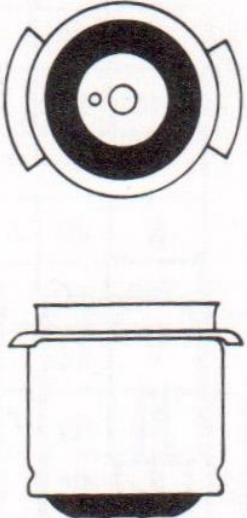


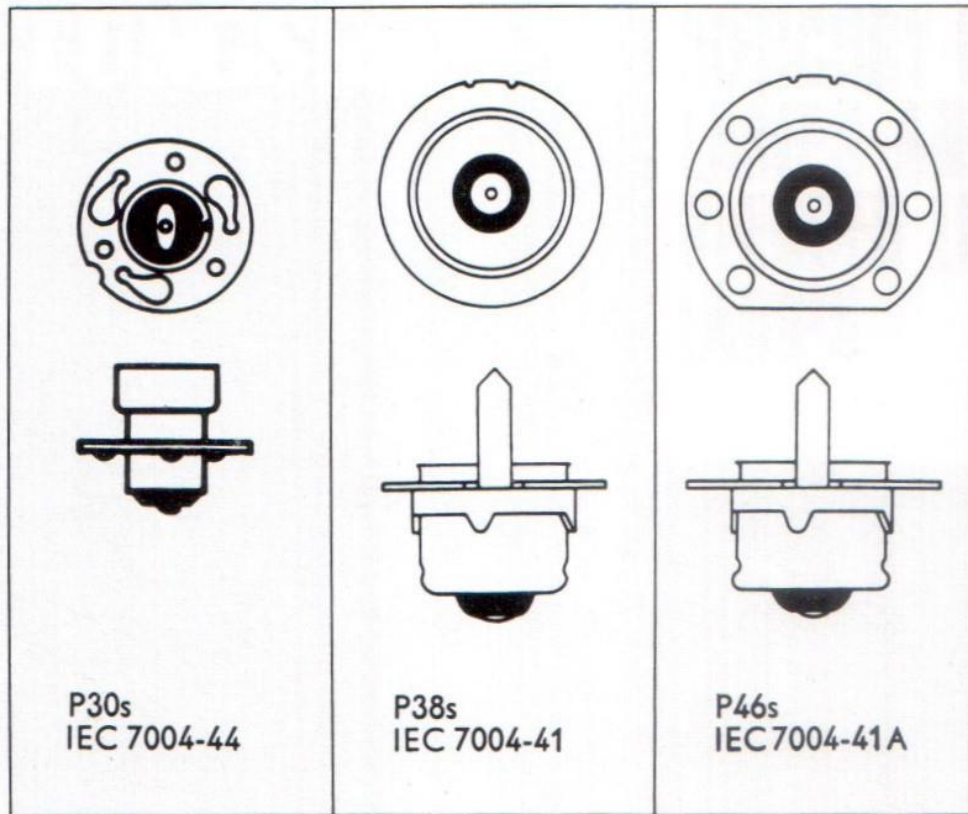
Type-No.	Watts	Volts	Avg. life, hours	Distance of light source and aperture, mm	Cap	Fig.	Burning position	Standard package quantity, pcs.
64508	50	8	25	33.5	P30s	22	2	25

BELL & HOWELL CAP PROJECTION LAMPS



Type-No.	Watts	Volts	Avg. life, hours	Dimensions of the light source, mm	Cap	Fig.	Burning position	Standard package quantity, pcs.
9285	500	110, 120	25	8.4 × 8.4	P38s	23	2	25
9285	500	220, 230, 240	25	12.3 × 9.6	P38s	23	2	25
9286	500	110, 120	25	8.4 × 8.4	P46s	—	2	25
9286	500	220, 230, 240	25	12.3 × 9.6	P46s	—	2	25
9287	750	110, 120	25	10.1 × 9.6	P46s	24	2	25
9287	750	220, 230	25	13 × 10.5	P46s	24	2	25
9288	1000	110, 120	25	11.3 × 11.1	P46s	24	2	25
9288	1000	220	25	14 × 11	P46s	24	2	25

<p>Caps</p>  <p>BA15d IEC 7004-11A DIN 49720</p>	 <p>BA15s IEC 7004-11A DIN 49720</p>	 <p>BA20d IEC 7004-12 DIN 49730</p>	 <p>BA20s IEC 7004-12 DIN 49730</p>
 <p>BA21s-4</p>	 <p>E14/25 × 17 IEC 7004-23 DIN 49615</p>	 <p>G6,35-15 IEC 7004-59A GY6,35-15 IEC 7004-59</p>	 <p>GZ 6,35-18</p>
 <p>G17q GY17q IEC 7004-45</p>	 <p>H9,6s/22 × 13 IEC — DIN —</p>	 <p>H15s/25 × 17 IEC — DIN —</p>	 <p>P28s IEC 7004-42</p>



Burning Positions



not permissible

