



LA4533M

Power Amplifier for 3V Headphone Stereos

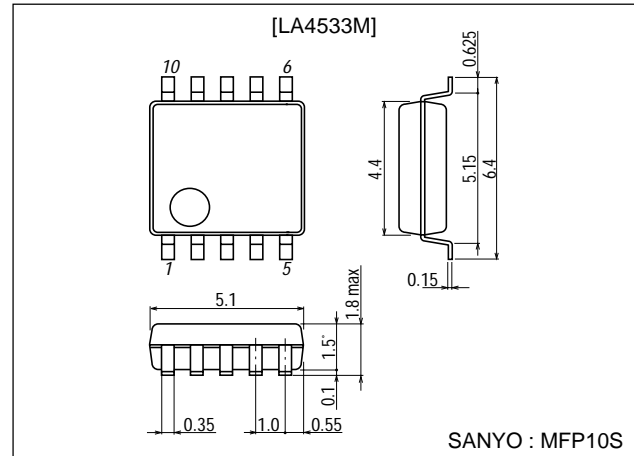
Features

- Low current consumption.
- 16Ω load drive capability.
- Excellent reduced voltage characteristics.
- Excellent power supply ripple rejection.
- Minimum number of external parts required (no input capacitor, feedback capacitor required).
- Applicable to radio sets because of high voltage gain.
- Less harmonic interference in radio band.
- On-chip power switch function, muting function.

Package Dimensions

unit:mm

3086A-MFP10S



Specifications

Absolute Maximum Ratings at Ta = 25°C

Parameter	Symbol	Conditions	Ratings	Unit
Maximum supply voltage	V _{CC} max	Quiescent	4.5	V
Allowable power dissipation	P _d max		300	mW
Operating temperature	T _{opr}		-20 to +75	°C
Storage temperature	T _{stg}		-40 to +125	°C

Operating Conditions at Ta = 25°C

Parameter	Symbol	Conditions	Ratings	Unit
Recommended supply voltage	V _{CC}		3.0	V
Operating voltage range	V _{CC} op		1.6 to 4.0	V
Recommended load resistance	R _L		16 to 32	Ω

Operating Characteristics at Ta = 25°C, R_L=16Ω, R_g=600Ω, See specified Test Circuit.

Parameter	Symbol	Conditions	Ratings			Unit
			min	typ	max	
Quiescent current	I _{cco1}	V _{CC} =2.4V, quiescent		5.4	10	mA
	I _{cco2}	V _{CC} =4.5V, pin 10 → GND		1.1	2.0	mA
	I _{cco3}	V _{CC} =4.5V, pin 1 → GND			1.0	μA
Voltage gain	VG1	V _{CC} =2.4V, f=1kHz, V _O =-10dBm	30	32	34	dB
	VG2	V _{CC} =1.6V, f=1kHz, V _O =-20dBm	29	32	34	dB
Voltage gain difference	ΔVG1	V _{CC} =2.4V, f=1kHz, V _O =-10dBm			1.0	dB
	ΔVG2	V _{CC} =1.6V, f=1kHz, V _O =-20dBm			1.0	dB

Continued on next page.

■ Any and all SANYO products described or contained herein do not have specifications that can handle applications that require extremely high levels of reliability, such as life-support systems, aircraft's control systems, or other applications whose failure can be reasonably expected to result in serious physical and/or material damage. Consult with your SANYO representative nearest you before using any SANYO products described or contained herein in such applications.

■ SANYO assumes no responsibility for equipment failures that result from using products at values that exceed, even momentarily, rated values (such as maximum ratings, operating condition ranges, or other parameters) listed in products specifications of any and all SANYO products described or contained herein.

SANYO Electric Co., Ltd. Semiconductor Company

TOKYO OFFICE Tokyo Bldg., 1-10, 1 Chome, Ueno, Taito-ku, TOKYO, 110-8534 JAPAN

21500TN (KT)/63095HA (KOTO) / No.2248-1/3

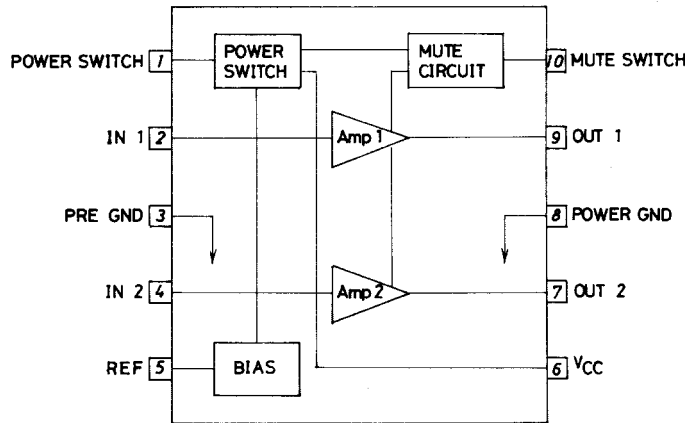
LA4533M

Continued from preceding page.

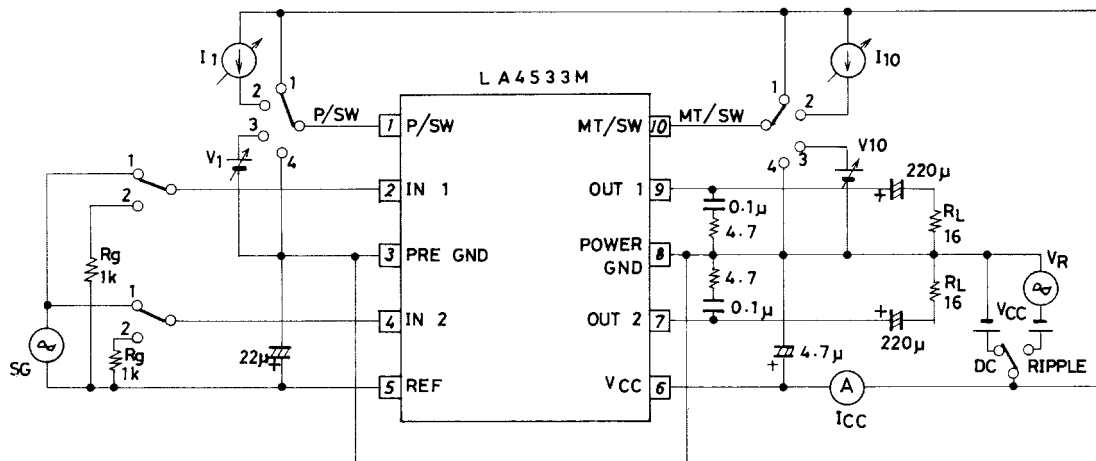
Parameter	Symbol	Conditions	Ratings			Unit
			min	typ	max	
Total harmonic distortion	THD	$V_{CC}=2.0V, f=1kHz, P_O=1mW$		0.5	1.5	%
Output power	P_O	$V_{CC}=3.0V, f=1kHz, THD=10\%$	20	40		mW
Crosstalk	CT	$V_{CC}=2.4V, f=100Hz, R_g=1k\Omega, V_O=-10dB$	40	50		dB
Ripple rejection	SVRR	$V_{CC}=1.6V, f=100Hz, R_g=1k\Omega, V_R=-20dBm, BPF=100Hz$	45	60		dB
Output noise voltage	V_{NO}	$V_{CC}=4.5V, R_g=1k\Omega, BPF=20Hz$ to 20kHz		62	100	μV
Power off effect	V_O (off)	$V_{CC}=1.6V, f=100Hz, \text{pin } 1 \rightarrow GND, V_{IN}=-10dB$			-80	dB
Muting effect	V_O (MT)	$V_{CC}=1.6V, f=100Hz, \text{pin } 10 \rightarrow GND, V_{IN}=-10dB$			-80	dB
Power on current sensitivity	I_1 (on)	$V_{CC}=1.5V, V_5 \geq 0.85V$		0.05	1.0	μA
Power off voltage sensitivity	V_1 (off)	$V_{CC}=1.5V, V_5 \leq 0.1V$	0.5	0.6		V
Muting off current sensitivity	I_{10} (off)	$V_{CC}=1.5V, V_5 \geq 0.85V$		0.2	1.0	μA
Muting on voltage sensitivity	V_{10} (on)	$V_{CC}=1.5V, V_5 \leq 0.1V$	0.5	0.65		V

Note) The quiescent current is represented by the current flowing into pin 6. The respective maximum currents flowing into pin 1 and pin 10 are calculated by $(\text{pin voltage} - 0.5) / 16 [V/k\Omega]$ and the total current increases by these current values.

Equivalent Circuit Block Diagram and Application Circuit



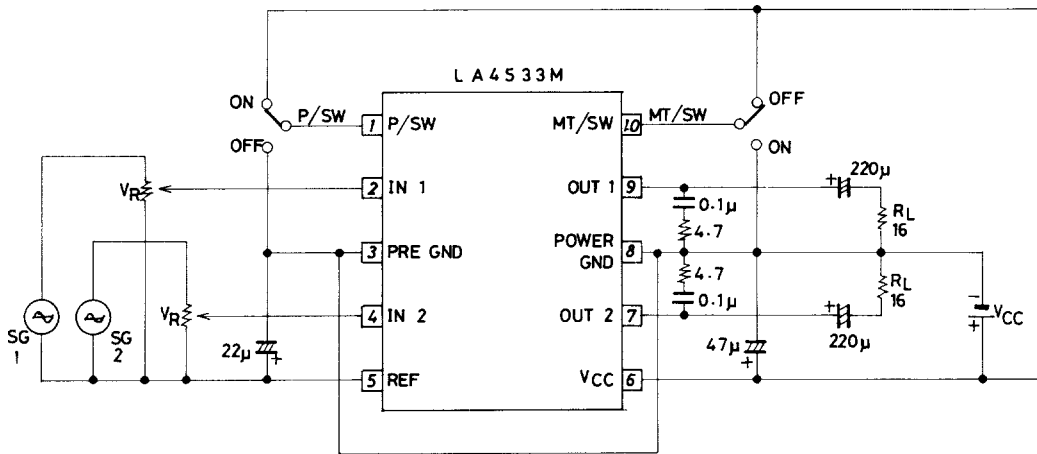
Test Circuit



Unit (resistance : Ω , capacitance : F)

LA4533M

Sample Application Circuit



Unit (resistance : Ω , capacitance : F)

- Specifications of any and all SANYO products described or contained herein stipulate the performance, characteristics, and functions of the described products in the independent state, and are not guarantees of the performance, characteristics, and functions of the described products as mounted in the customer's products or equipment. To verify symptoms and states that cannot be evaluated in an independent device, the customer should always evaluate and test devices mounted in the customer's products or equipment.
- SANYO Electric Co., Ltd. strives to supply high-quality high-reliability products. However, any and all semiconductor products fail with some probability. It is possible that these probabilistic failures could give rise to accidents or events that could endanger human lives, that could give rise to smoke or fire, or that could cause damage to other property. When designing equipment, adopt safety measures so that these kinds of accidents or events cannot occur. Such measures include but are not limited to protective circuits and error prevention circuits for safe design, redundant design, and structural design.
- In the event that any or all SANYO products (including technical data, services) described or contained herein are controlled under any of applicable local export control laws and regulations, such products must not be exported without obtaining the export license from the authorities concerned in accordance with the above law.
- No part of this publication may be reproduced or transmitted in any form or by any means, electronic or mechanical, including photocopying and recording, or any information storage or retrieval system, or otherwise, without the prior written permission of SANYO Electric Co., Ltd.
- Any and all information described or contained herein are subject to change without notice due to product/technology improvement, etc. When designing equipment, refer to the "Delivery Specification" for the SANYO product that you intend to use.
- Information (including circuit diagrams and circuit parameters) herein is for example only ; it is not guaranteed for volume production. SANYO believes information herein is accurate and reliable, but no guarantees are made or implied regarding its use or any infringements of intellectual property rights or other rights of third parties.

This catalog provides information as of February, 2000. Specifications and information herein are subject to change without notice.