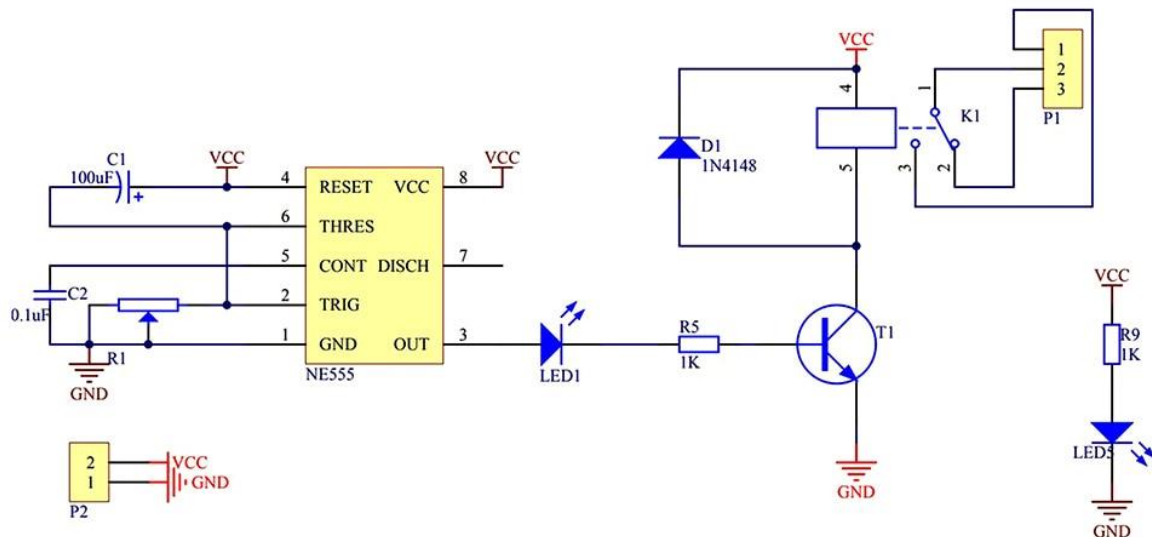


DC 12V Time Delay Relay with NE555



Specification:

1. Size: 68mm * 21mm
2. Main chip: NE555
3. Operating voltage: DC 12V
4. Characteristics:

After the relay is supplied with 12v power, the relay will not suck, and the state of the relay output terminal is: normally open and public disconnection, normally closed and public conduction; After the delay of 1-10s (adjustable), the relay will pull up. At this time, the state of the relay output terminal is: normally open and public conduction, normally closed and public disconnection; As long as the module is continuously powered on, this state will remain.
5. The delay time is adjustable (0~10 seconds)
6. Adding potentiometer can increase delay time
7. Increasing capacitor C1 can increase delay time
8. With input power indicator light
9. With relay suction indicator light
10. Can control AC 220V/10A equipment. (Large Control Equipment 2000W)
11. It has relay freewheeling protection.
12. Delay time formula: $T = 1.1RC$. For example: capacitor 100uf resistor 100K $T = 1.1 * 100000 * 0.0001 = 11$ seconds