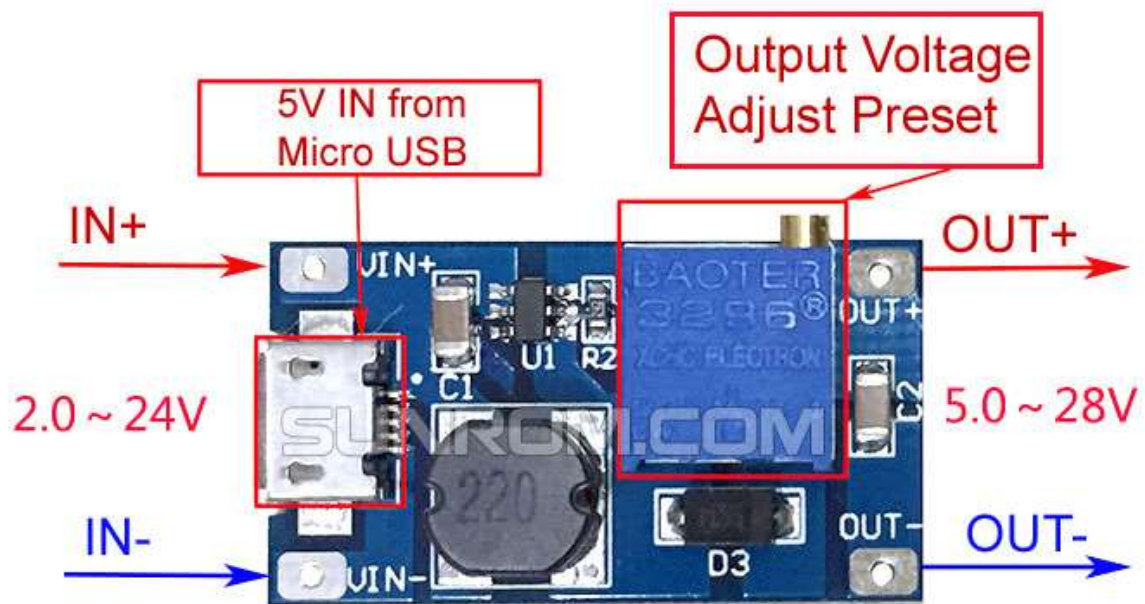


## Specifications

- 2V to 24V input voltage with output boost 5V to 28V adjustable
- Maximum output current: 2A (Recommended up to 1A only)
- Input voltage: 2V ~ 24V
- Maximum output voltage: 5V ~ 28V (Recommend to use up to 26V only)
- Efficiency: ~93%
- On board preset: Adjust Output Voltage ( Multi Turns 20 Turns)
- Input voltage should not exceed the maximum input voltage
- Peak current output current should not more than 2A
- Output voltage should always be higher than Input voltage
- PCB Size: 30 mm \* 17 mm \* 14 mm



## How to use

- Connect the the IN+ and IN- of the module with 2~24V power supply
- Adjust the potentiometer to adjust the output voltage. Please note that the output voltage should be higher than the input voltage during normal use.

## Board Schematic and Dimensions

