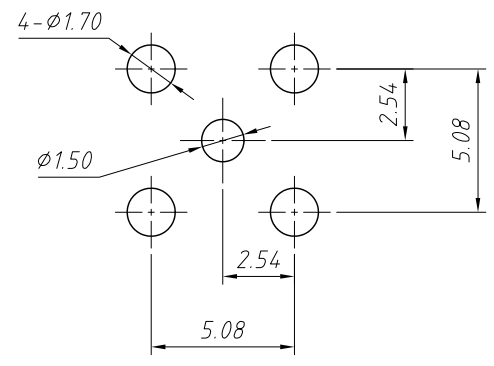
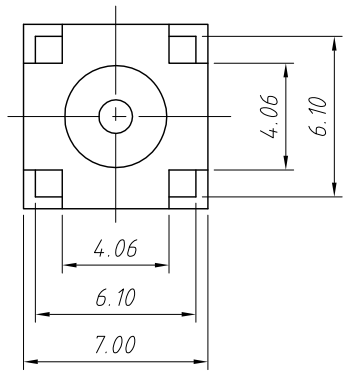
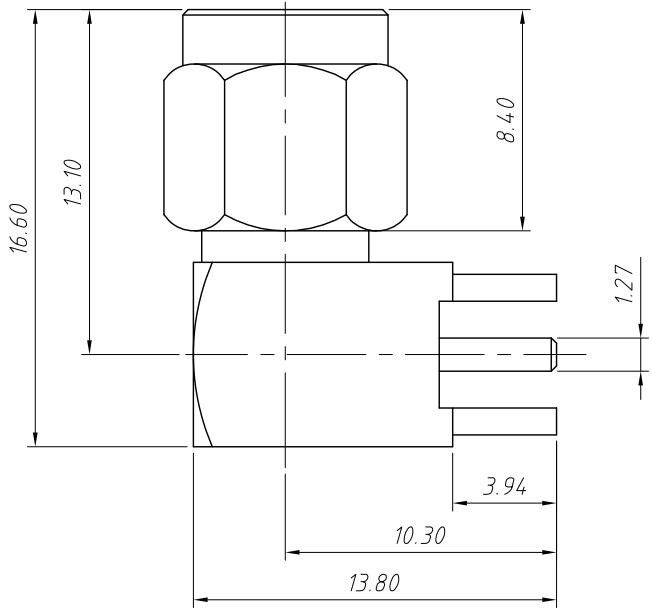


1  
RoHS Compliance



PCB Mounting Hole

**Material:**  
 Housing: Brass, Gold Plating  
 Shell: Brass, Gold Plating  
 Insulator: Teflon, Natural  
 Cover: Brass, Gold Plating  
 Contact Pin: Ber. Copper, Gold Plating

**Note:**  
 Impedance: 50Ω

ANGLE TOLERANCE	PROJECTION	Description:	PCB Mount SMA Connector Right Angle (Plug, Male, 50Ω)	
±3°				
GENERAL TOLERANCE	UNITS	mm	KLS P/N: L-KLS1-SMA015	
x.x ±0.30	SHEET SIZE	A4	NingBo KLS ELECTRONIC CO.,L TD.	
x.xx ±0.20	Draw:	Daniel		2020-11-11
x.xxx ±0.10	Check:	Daniel		2020-11-11