

FUSE CLIPS & BLOCKS



保险丝夹及保险丝座




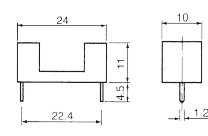

Suitable fuse: $\phi 5.2 \times 20\text{mm}$
 Maximum rated value: 10A, 250V.AC
 Material: Silver-plating (nickel-plating)
 copper (sping copper)

S1050




Suitable fuse: $\phi 6.35 \times 30\text{mm}$
 Maximum rated value: 10A, 250V.AC
 Material: Silver-plating (nickel-plating)
 copper (sping copper)

S1051

Suitable fuse: $\phi 5.2 \times 20\text{mm}$
 Maximum rated value: 6A, 250V.AC
 Holder: Flame-retard plastic
 Clip pole: Silver-plating brass

S1052




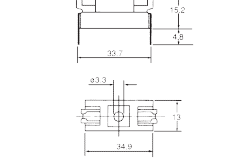

Suitable fuse: $\phi 5.2 \times 20\text{mm}$
 Maximum rated value: 6A, 250V.AC
 Holder: Flame-retard plastic
 Clip pole: Silver-plating brass

S1052-1




Suitable fuse: $\phi 5.25 \times 20\text{mm}$
 Maximum rated value: 6A, 250V.AC
 Holder: Flame-retard plastic
 Clip pole: Silver-plating brass

S1053

Suitable fuse: $\phi 6.35 \times 30\text{mm}$
 Maximum rated value: 6A, 250V.AC
 Holder: Flame-retard plastic
 Clip pole: Silver-plating brass

S1054




Suitable fuse: $\phi 5.2 \times 20\text{mm}$
 Maximum rated value: 6A, 250V.AC
 Holder: Flame-retard plastic
 Clip pole: Silver-plating brass

S1055





Suitable fuse: $\phi 5.2 \times 20\text{mm}$
 Maximum rated value: 30A, 250V.AC
 Casing: Bakelite
 Pole: Silver-plating brass

S1056




Suitable fuse: $\phi 6.35 \times 30\text{mm}$
 Maximum rated value: 30A, 250V.AC
 Casing: Bakelite
 Pole: Silver-plating brass

S1057




Suitable fuse: $\phi 5.2 \times 20\text{mm}$
 Maximum rated value: 10A, 250V.AC
 Casing: Flame-retard plastic
 Pole: Silver-plating brass

S1058