

40X40X20 mm

KF0420-01 Series



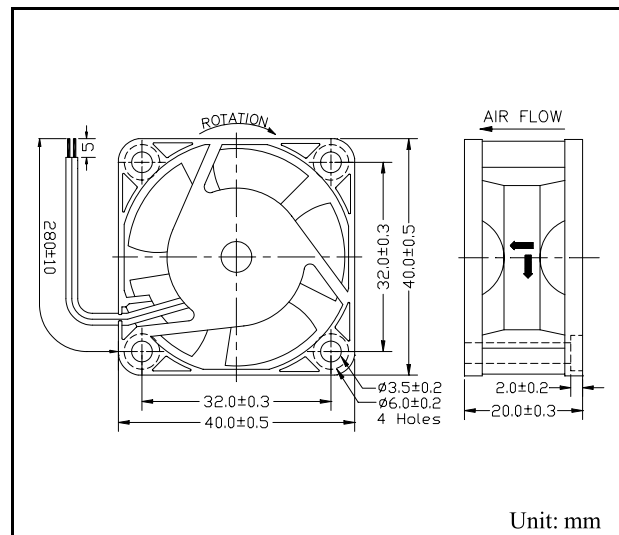
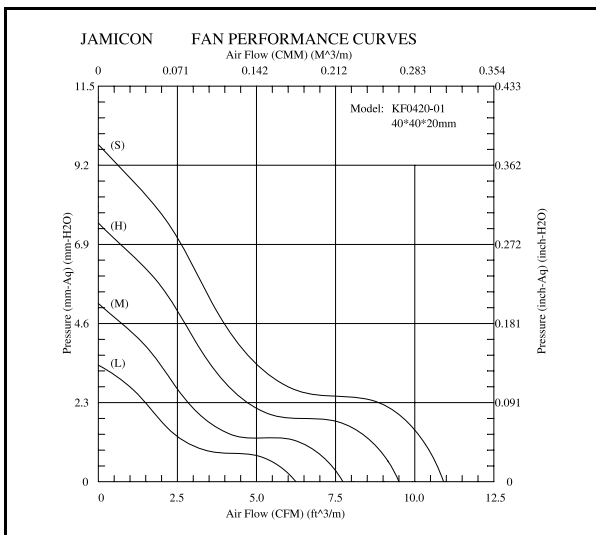
- **Frame** : Plastic Material UL 94V-0
- **Impeller** : Plastic Material UL 94V-0
- **Speed Range** : $\pm 10\%$

SPECIFICATIONS

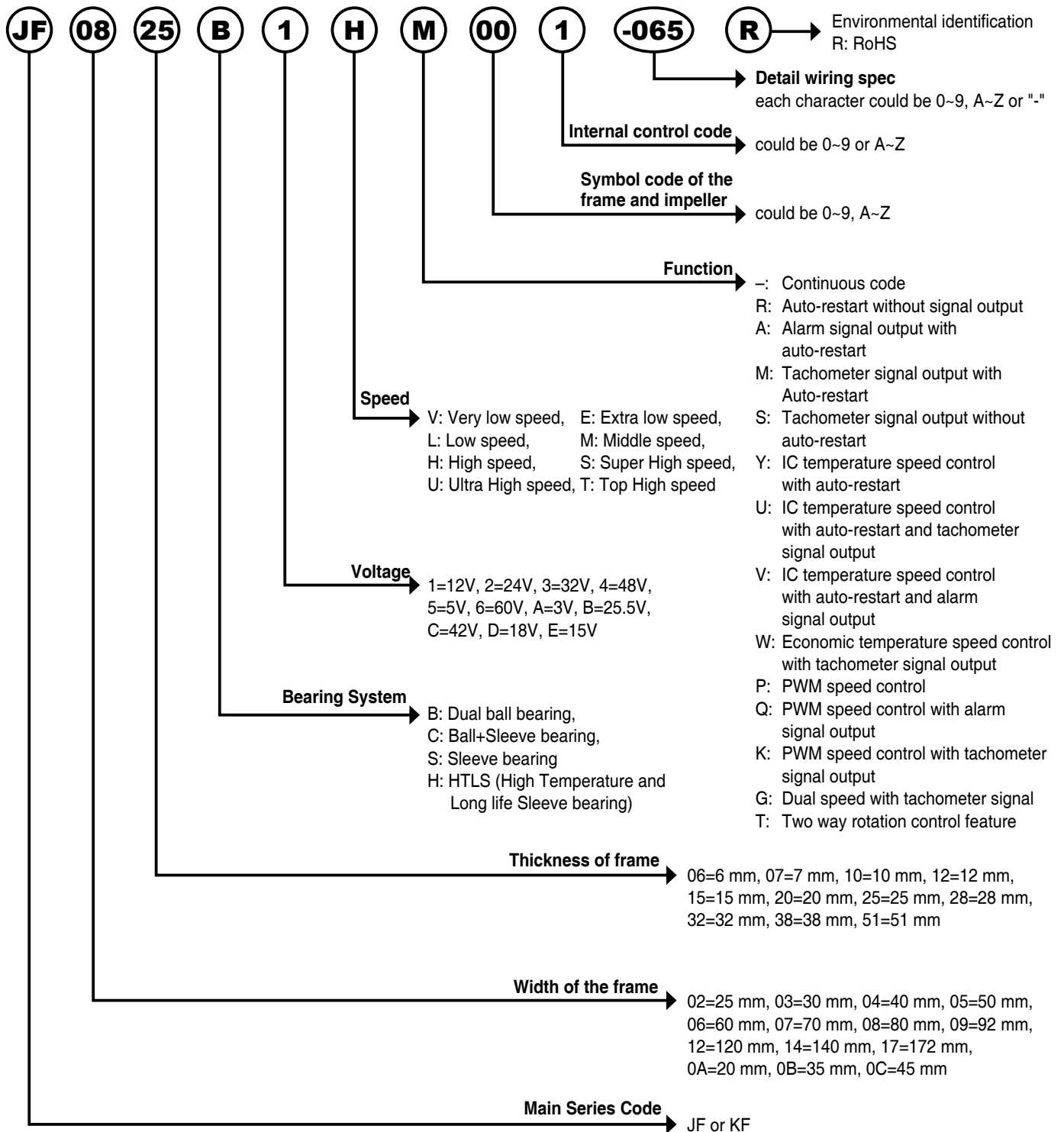
Model	Bearing	Rated Voltage (V)	Operating Voltage (V)	Air Flow (CFM)	Static Pressure (inchH ₂ O)	Speed (R.P.M.)	Input Current (Amp)	Input Power (Watt)	Nominal Power (Watt)	Noise (dBA)	Weight (g)
KF0420-5H-01	B, H,S	5	4.25~5.75	9.50	0.296	7500	0.23	1.15	1.3	32.6	25
KF0420-5M-01	B, H,S			7.73	0.204	6200	0.15	0.75	0.8	26.5	
KF0420-5L-01	B, H,S			6.24	0.134	5000	0.09	0.45	0.6	22.0	
KF0420-1S-01	B, H	12	10.2~13.8	10.91	0.386	8500	0.13	1.56	1.6	35.2	
KF0420-1H-01	B, H,S			9.50	0.296	7500	0.10	1.20	1.6	32.6	
KF0420-1M-01	B, H,S			7.73	0.204	6200	0.08	0.96	1.3	26.5	
KF0420-1L-01	B, H,S	24	20.4~27.6	6.24	0.134	5000	0.06	0.72	0.8	22.0	
KF0420-2S-01	B, H			10.91	0.386	8500	0.09	2.16	2.6	35.2	
KF0420-2H-01	B, H,S			9.50	0.296	7500	0.07	1.68	2.0	32.6	
KF0420-2M-01	B, H,S	24	20.4~27.6	7.73	0.204	6200	0.05	1.20	1.5	26.5	
KF0420-2L-01	B, H,S			6.24	0.134	5000	0.04	0.96	1.1	22.0	

Specifications subject to change without notice

The 7TH character of Model No means the bearing code. Please refer to the page "PART NUMBER SYSTEM".
Please contact us for detail if your request bearing system is not shown in the above list.



Part Number System



Reference List of Measure Unit

Air Flow Unit (風量單位)

CFM : Cubic Feet Per Minute (ft³/min ; 立方英尺/分)

CMM : Cubic Meter Per Minute (m³/min ; 立方公尺/分)

CMH : Cubic Meter Per Hour (m³/hr ; 立方公尺/小時)

Air Flow Unit Conversion (風量單位換算表)

CFM	CMM	CMH
1	0.0283	1.698
35.3	1	60
0.588	0.0167	1

Static Pressure Unit (靜壓單位)

Pa : Pascal (Pa = N/m² ; 牛頓/平方米)

mmAq : 1 mmAq = 1 mmH₂O

Static Pressure Unit Conversion (靜壓單位換算表)

Pa	mmH ₂ O	inch H ₂ O
1	0.10197	0.004017
9.80665	1	0.03939
249	25.4	1