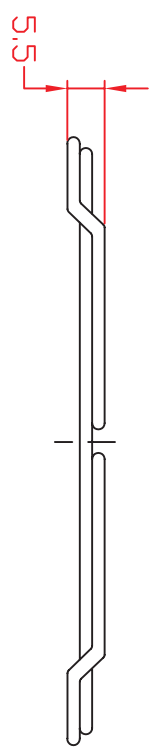
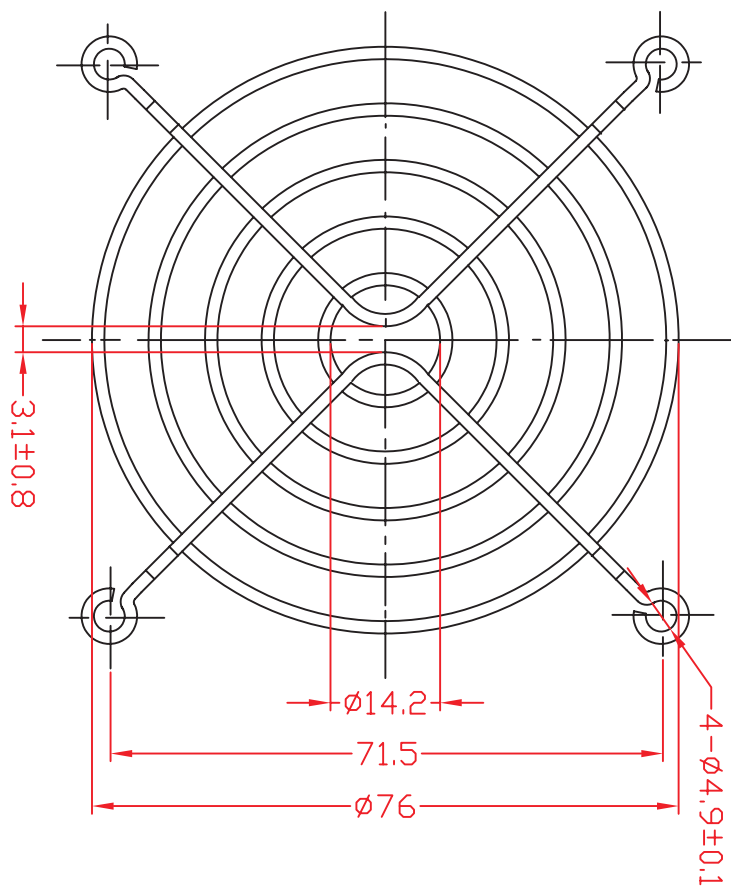


EDITION	DATE	REVISION RECORD	REVISION NO.	APPROVED



- NOTES:
- 1.MATERIAL:C1008 BRIGHT BASIC WIRE.
 - 2.FINISH:BRIGHT NICKEL CHROME.Cr3
 - 3.(1)RINGS ARE φ 1.8mm.
(2)RIBS ARE φ 1.8mm.
 - 4.WELD JOINTS TO WITHSTAND 88 LBS PULL FORCE.
 - 5.SPACING BETWEEN RINGS TO BE EUQDISTANT 5.48mm.
 - 6.GENERAL TOLERANCE UNLESS NOTED:±0.5mm.
 - 7.PART MEETS φ 6.35mmPLUG GAUGE TEST.
 - 8.UNIT:mm.

APPROVED	CHECKED	DESIGNED	DRAWN	SCALE		MATERIAL	SEE NOTES	TITLE	FAN GUARD
				1	1				
				DRAWING DATE		FINISH	SEE NOTES	PART NO.	REV
									0