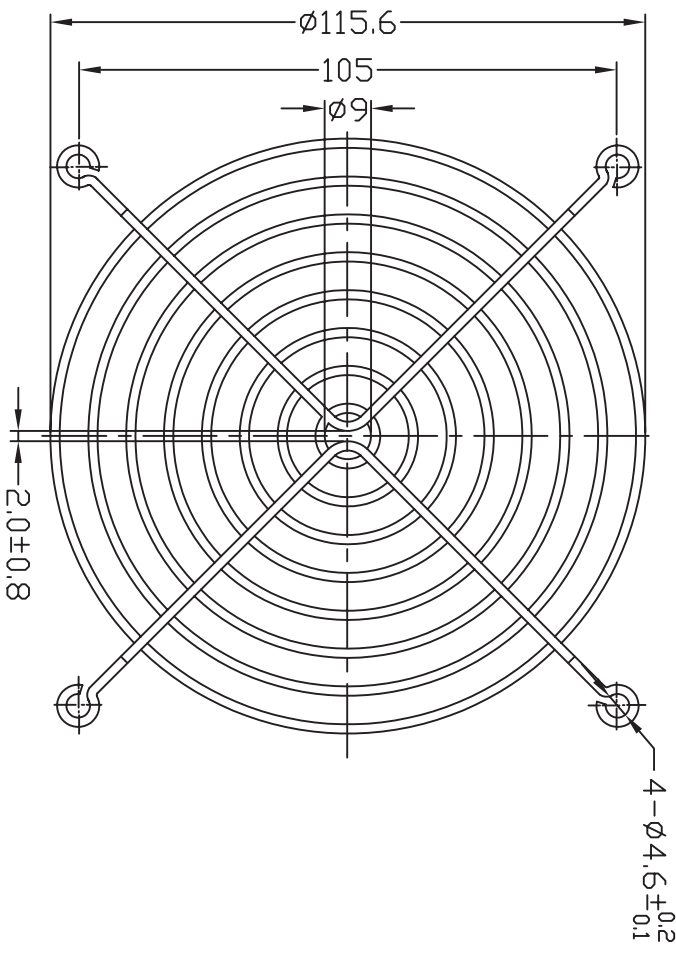
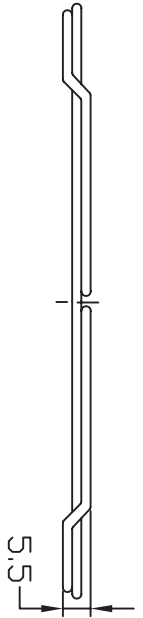


EDITION	DATE	REVISION RECORD	REVISION NO.	APPROVED



- NOTES:
1. MATERIAL: C1008 BRIGHT BASIC WIRE.
 2. FINISH: BRIGHT NICKEL CHROME. C3+
 3. (1) RINGS ARE $\phi 1.8$ mm.
(2) RIBS ARE $\phi 1.8$ mm.
 4. WELD JOINTS TO WITHSTAND 88 LBS PULL FORCE.
 5. SPACING BETWEEN RINGS TO BE EQUIDISTANT 5.56mm.
 6. GENERAL TOLERANCE UNLESS NOTED: ± 0.5 mm.
 7. PART MEETS $\phi 6.35$ mm PLUG GAUGE TEST.
 8. UNIT: mm.



APPROVED	CHECKED	DESIGNED	DRAWN	MATERIAL	SEE NOTES	TITLE	FAN GUARD

SCALE	1	1.5	FINISH	SEE NOTES	PART NO.	REV

DRAWING DATE