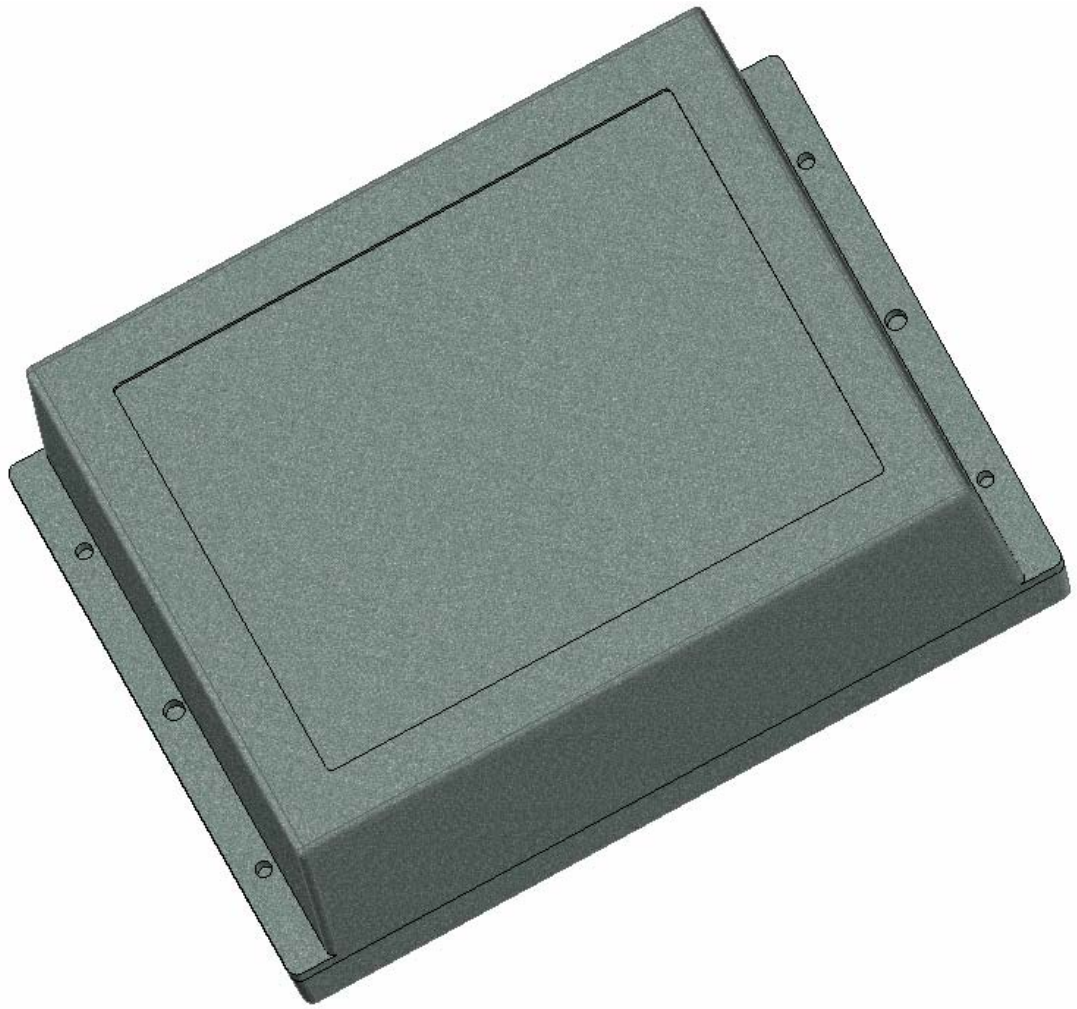
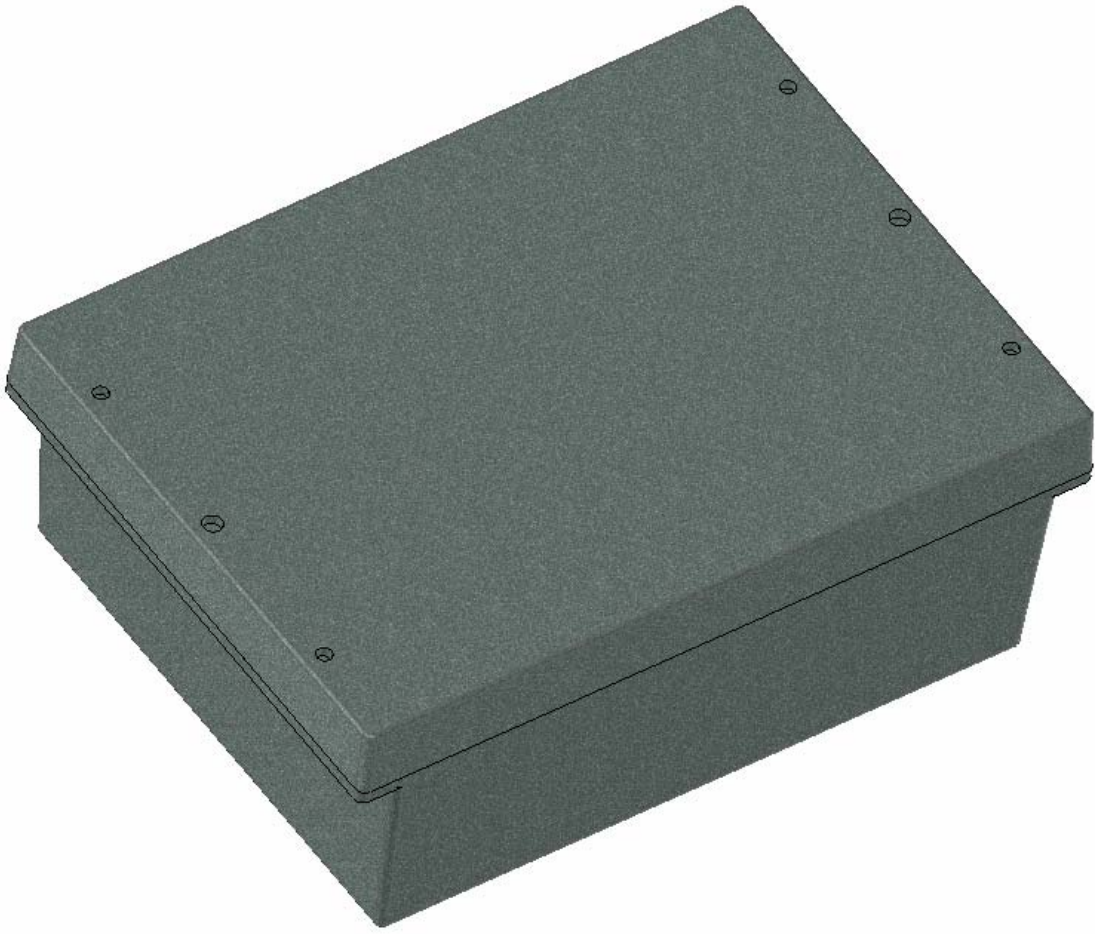


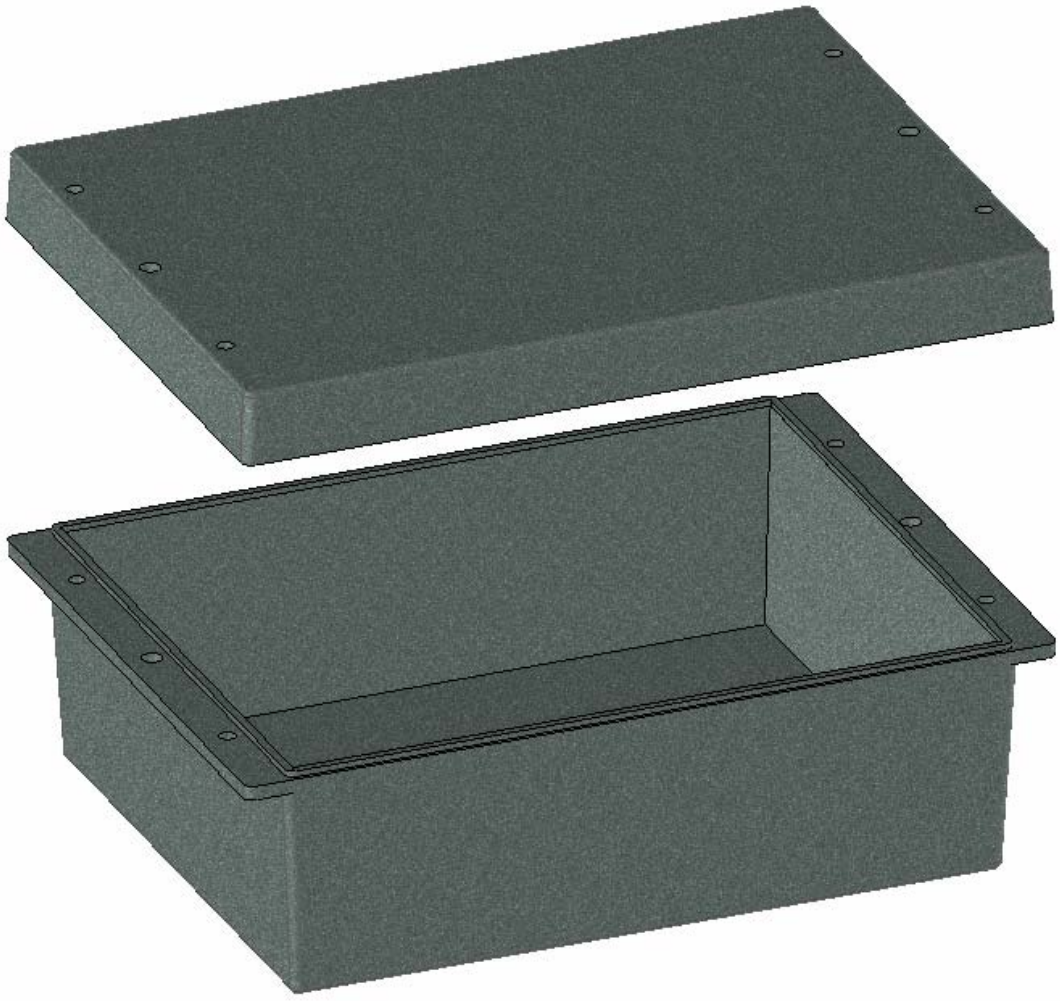
|                |        |                            |
|----------------|--------|----------------------------|
| Model produktu | Z-46 A |                            |
| Format:        | A4     | Materiál: Polystyrene (PS) |
| Skála:         | 1:1    | Tolerancia: +/- 0.1        |

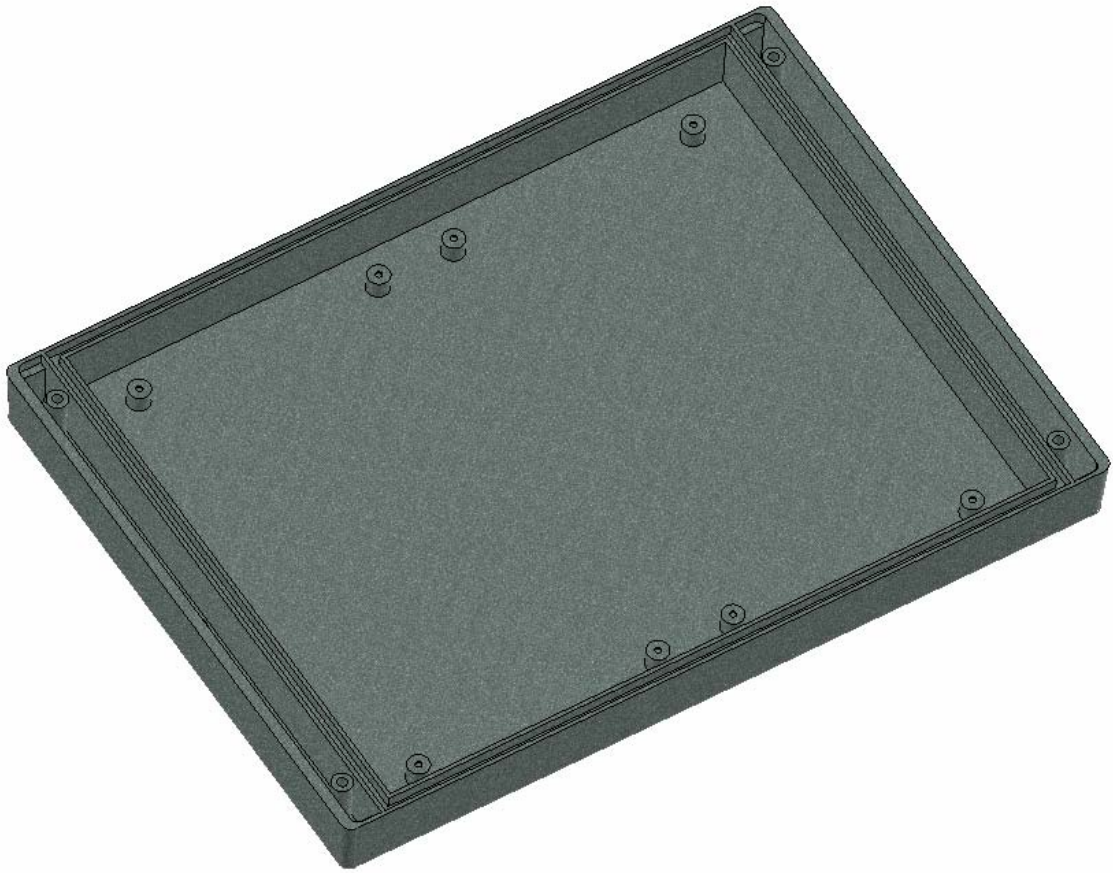


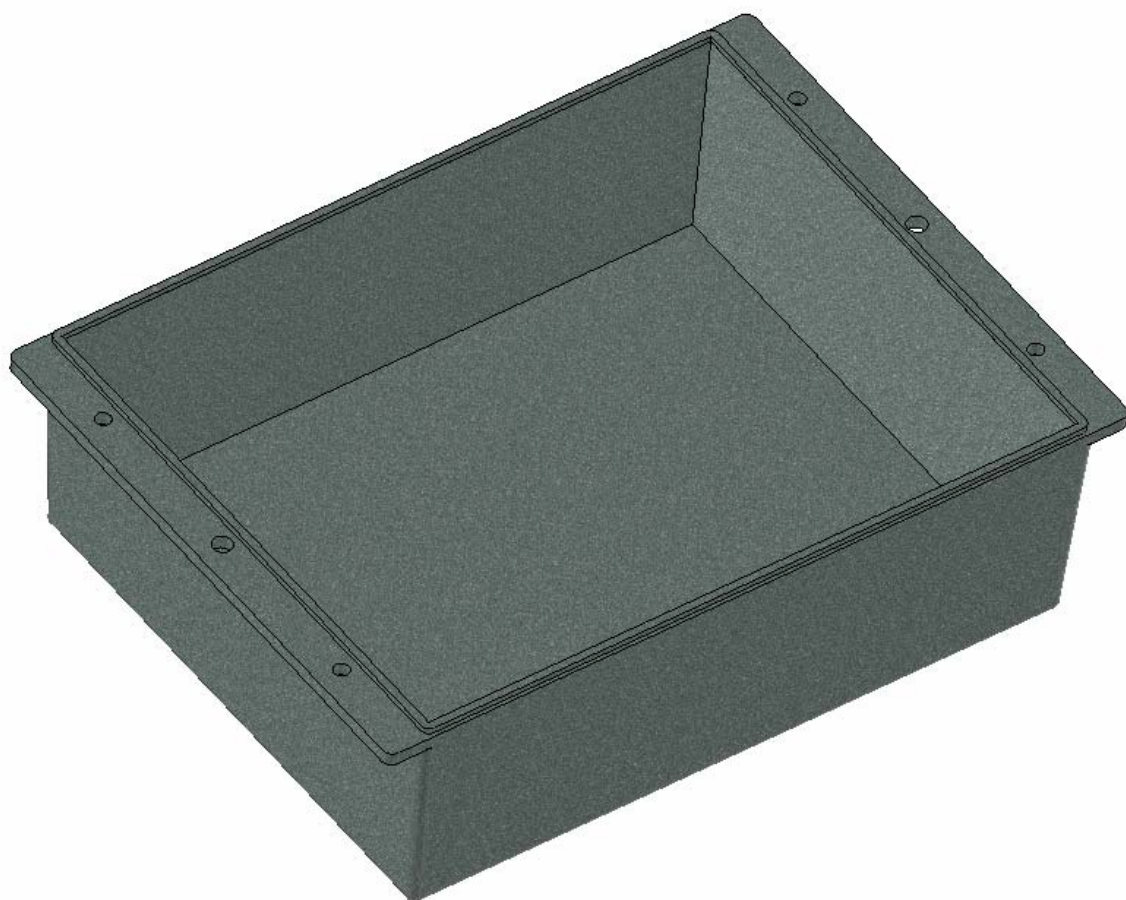


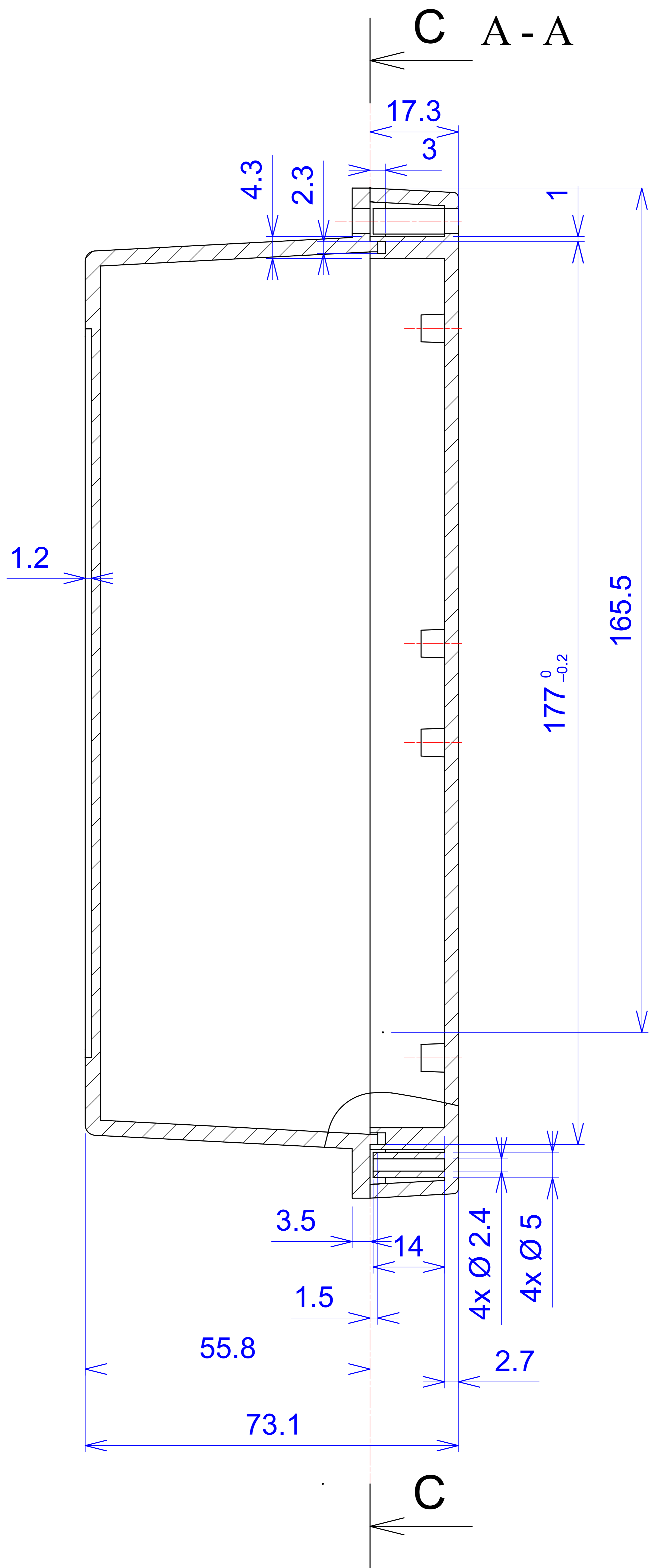




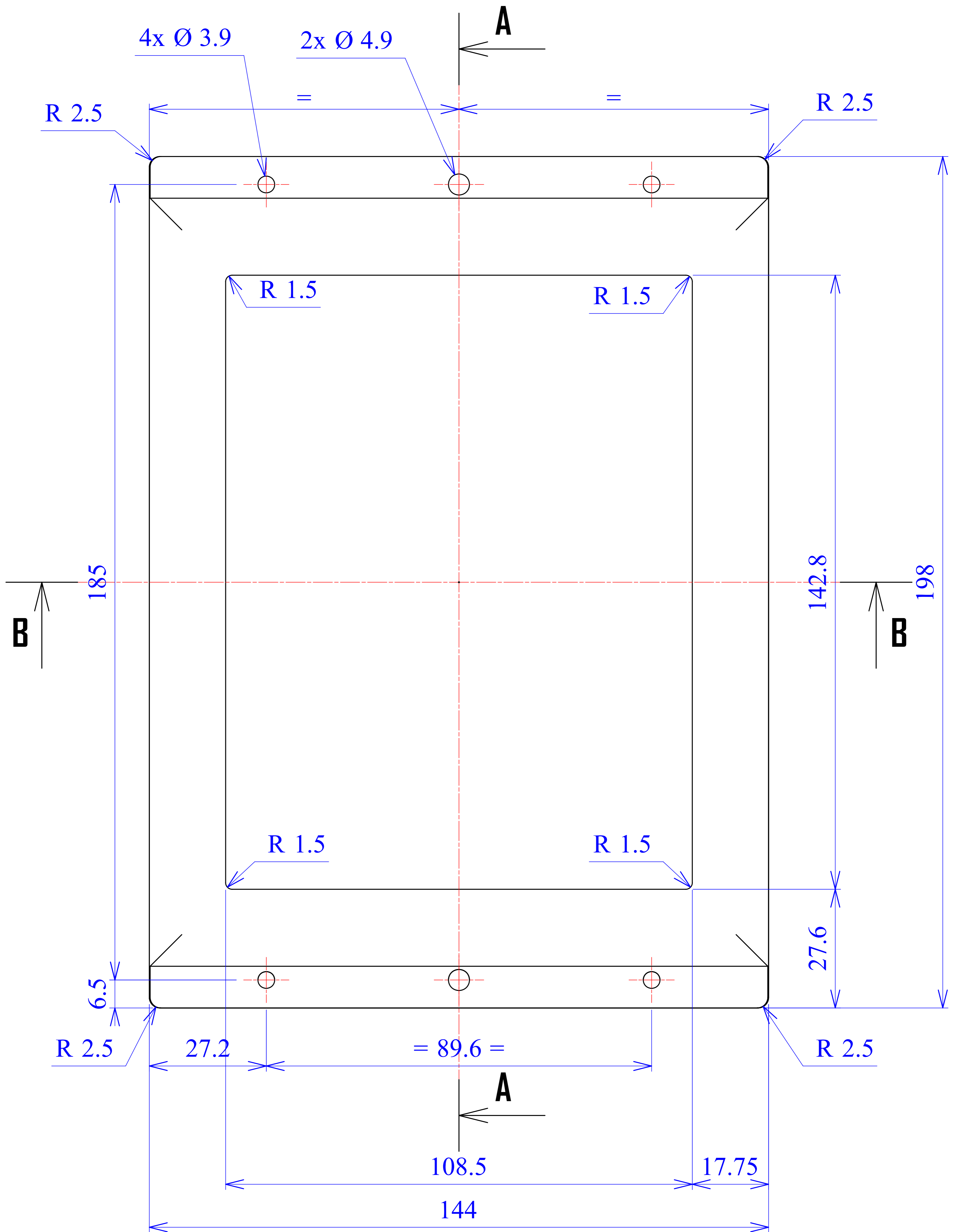


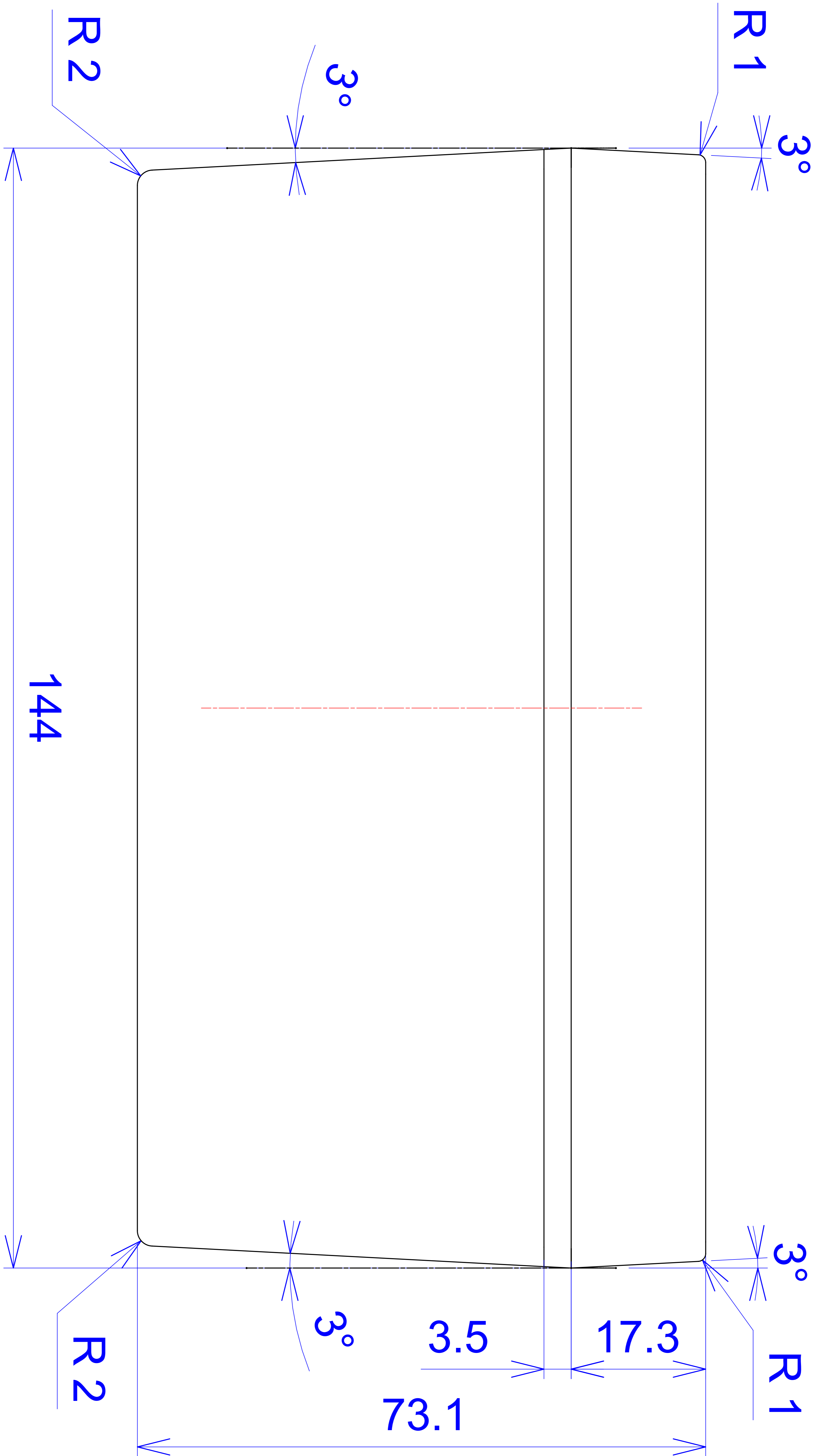


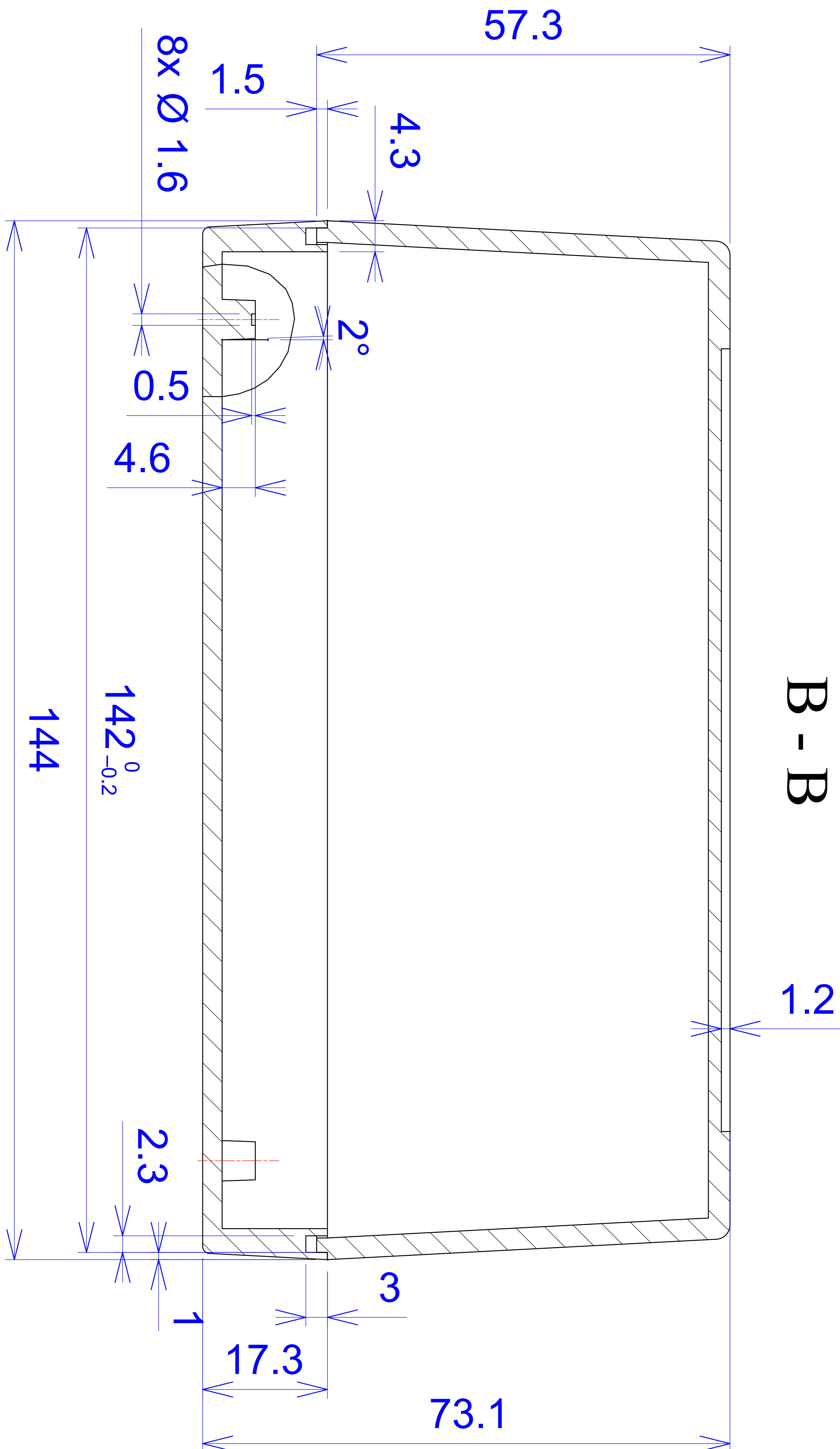


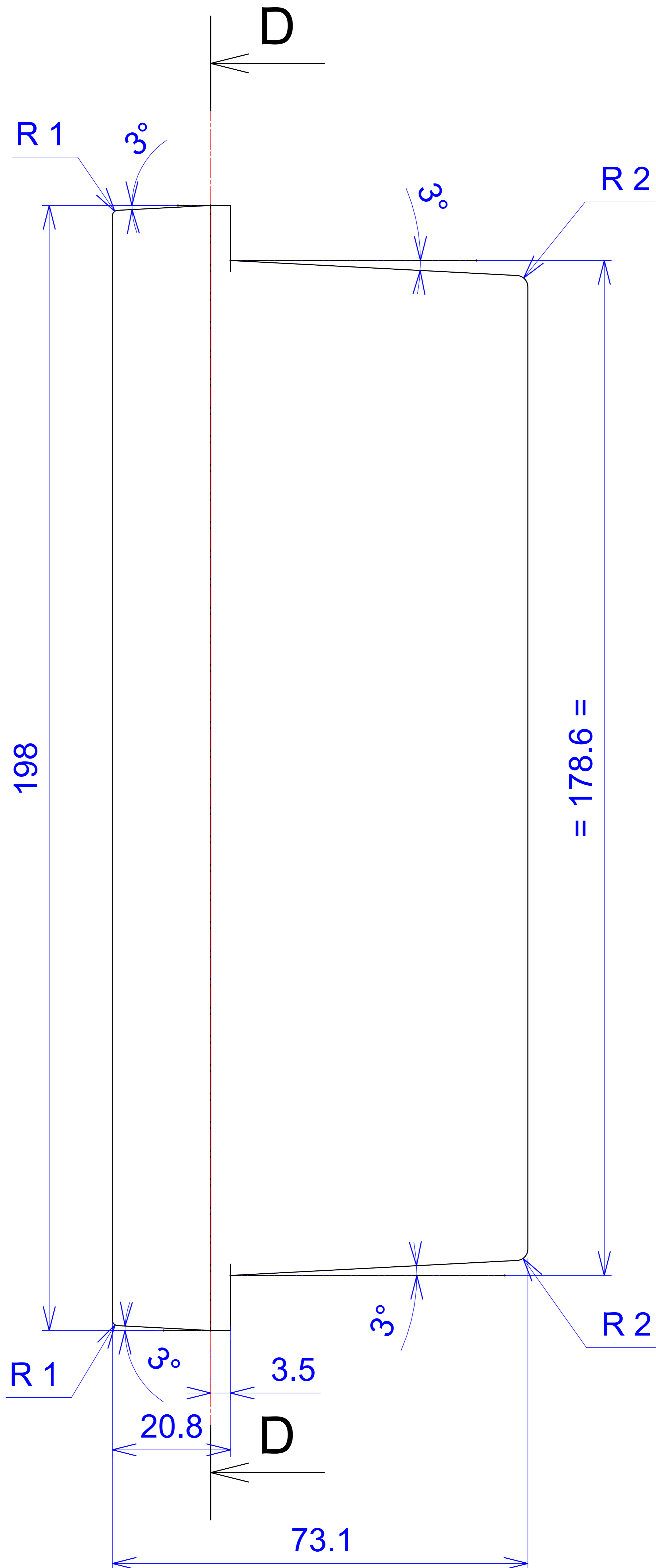


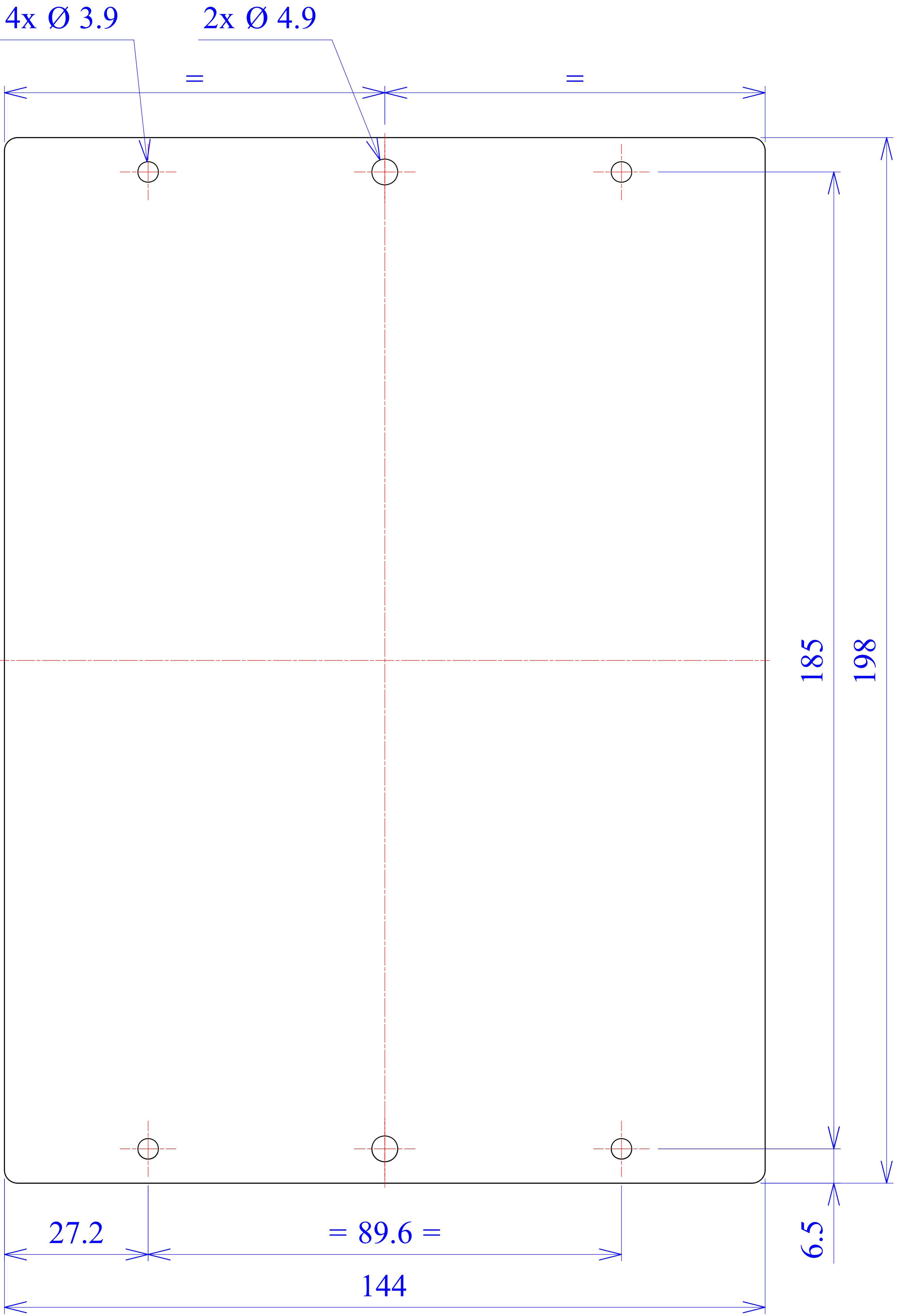








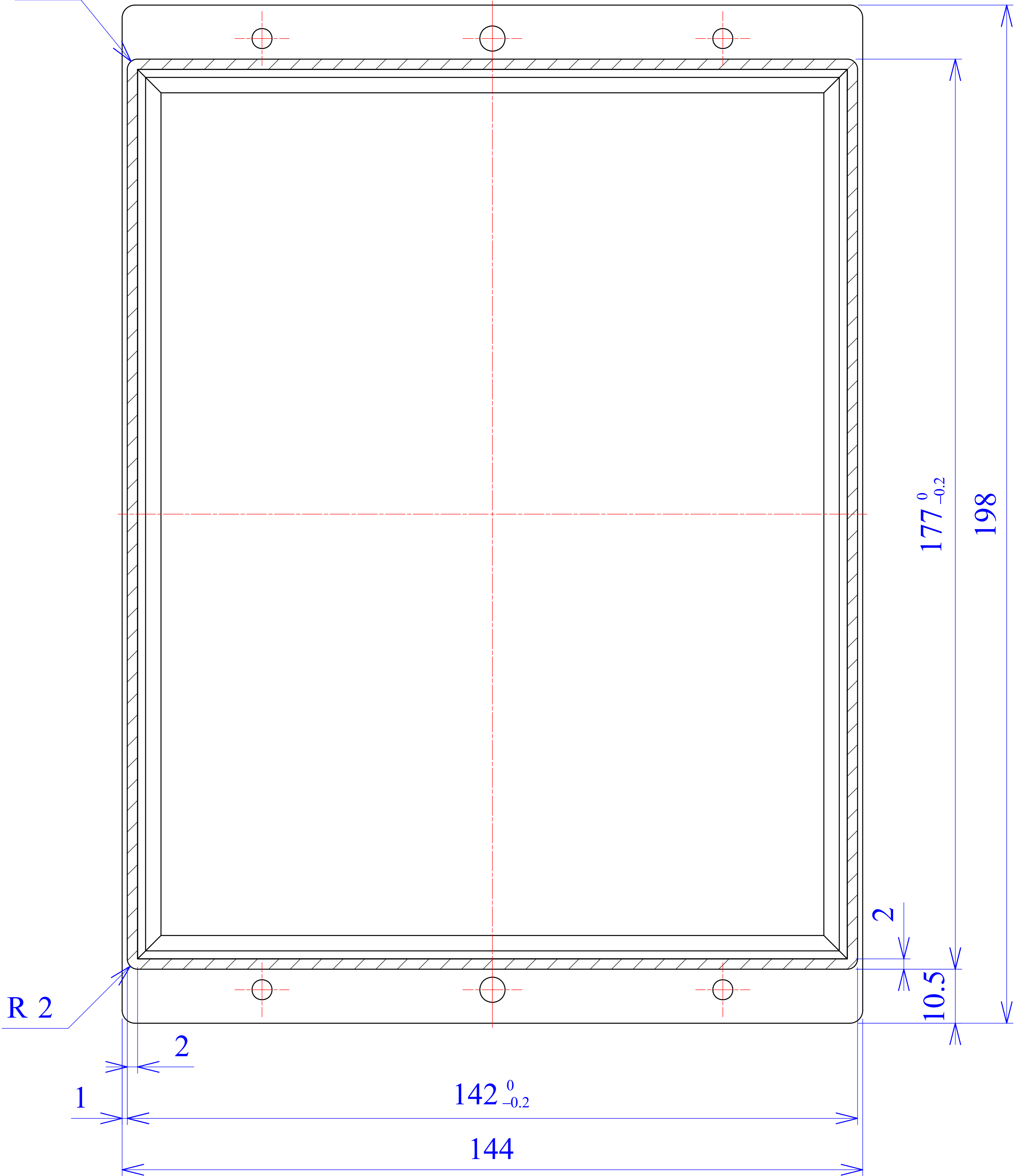






C - C

R 2



R 2

1

2

142<sup>0</sup><sub>-0.2</sub>

144

2

10.5

177<sup>0</sup><sub>-0.2</sub>

198

