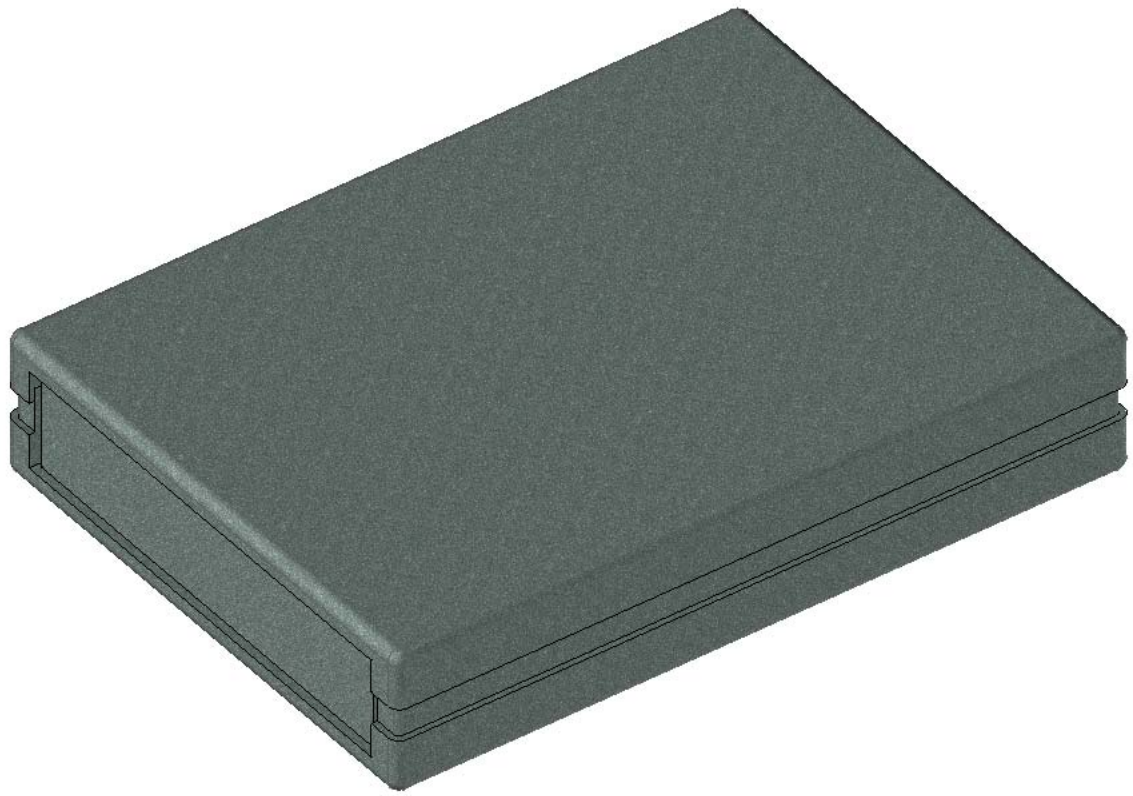
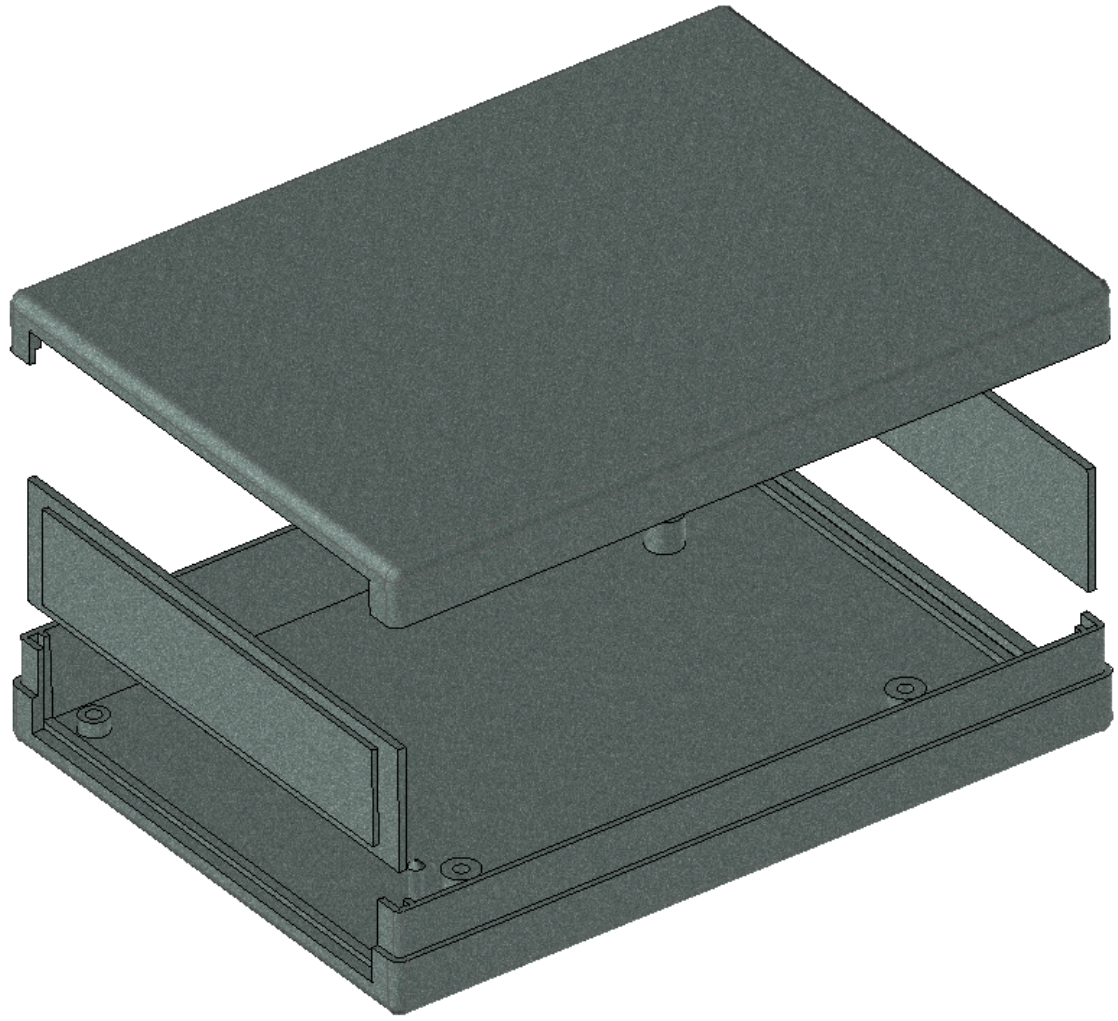
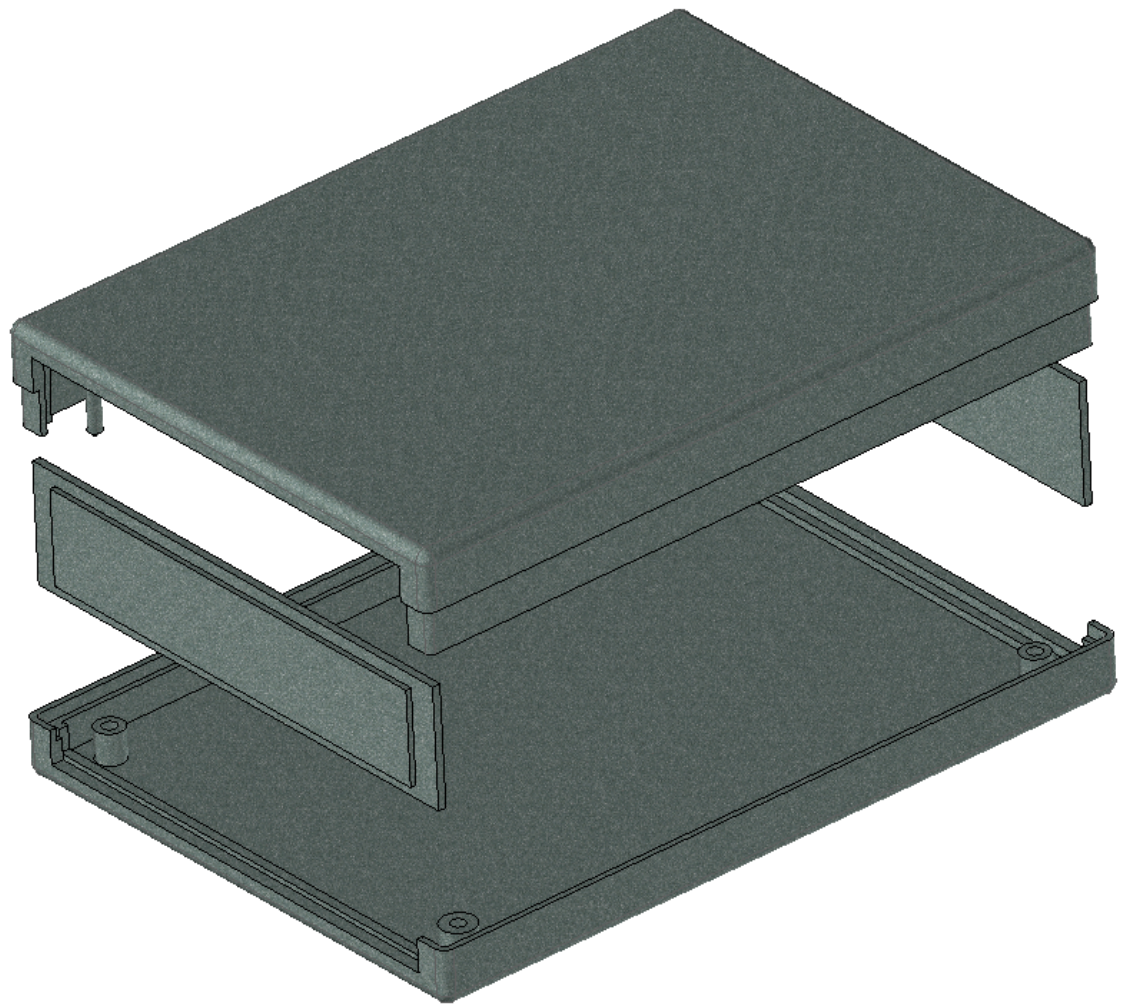
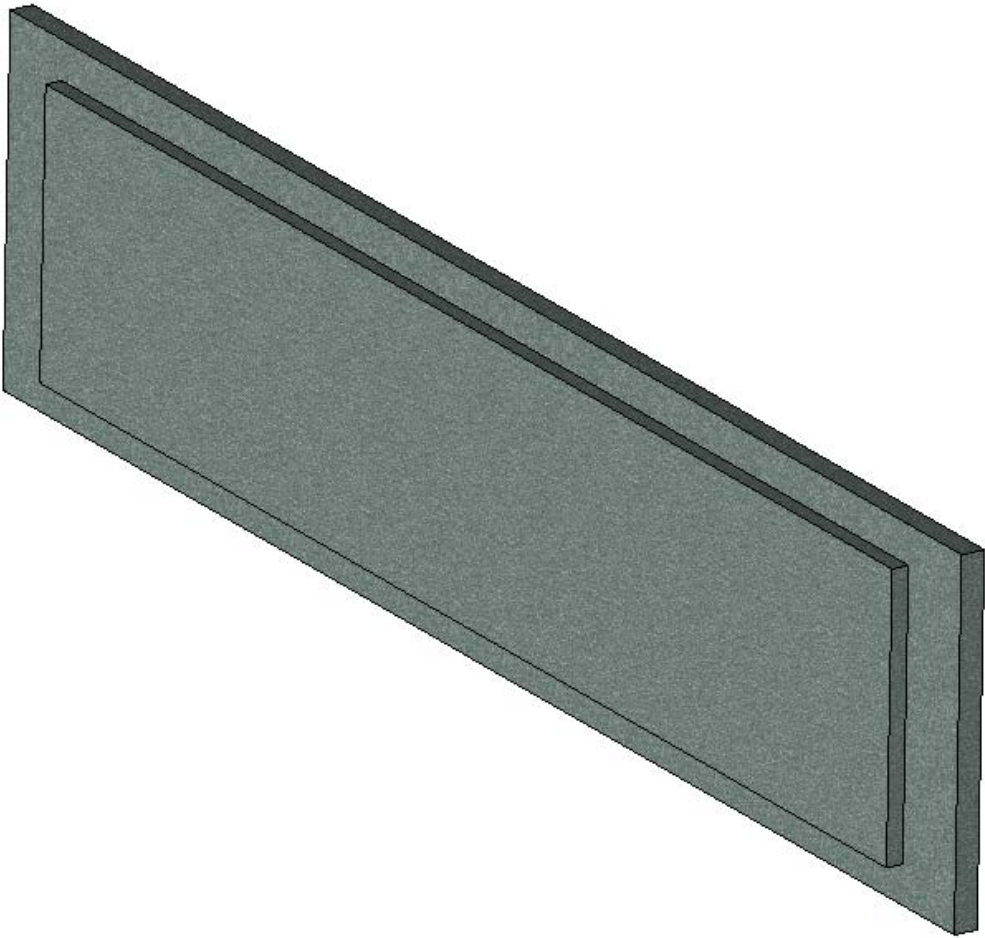


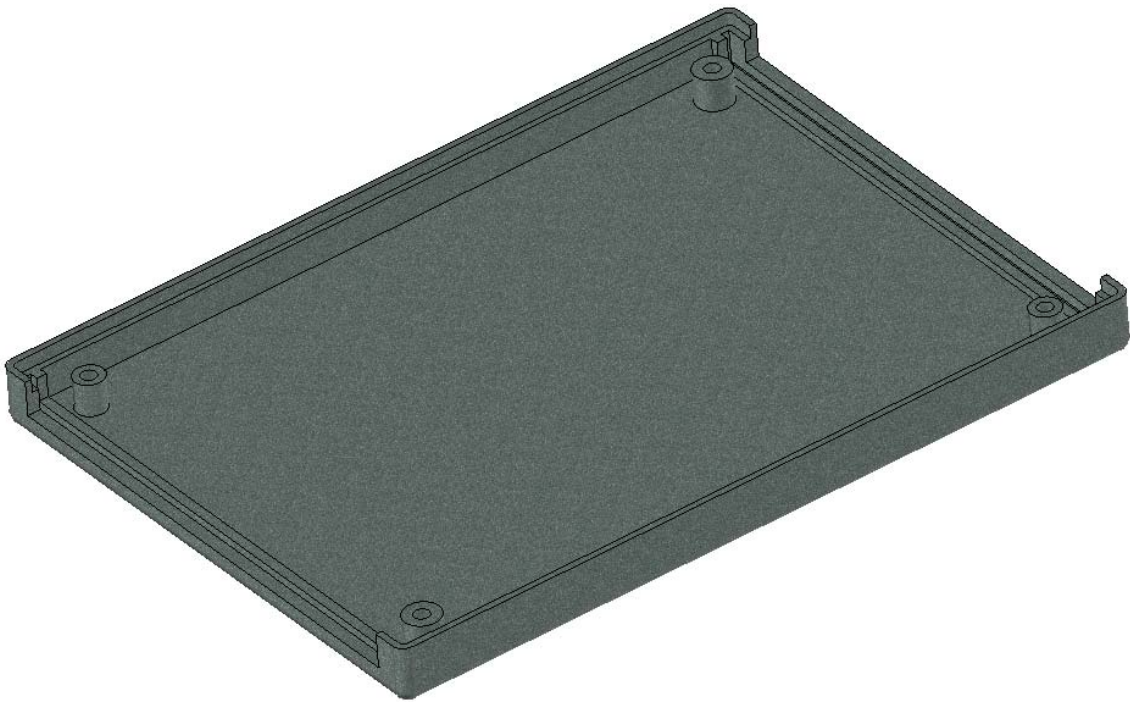
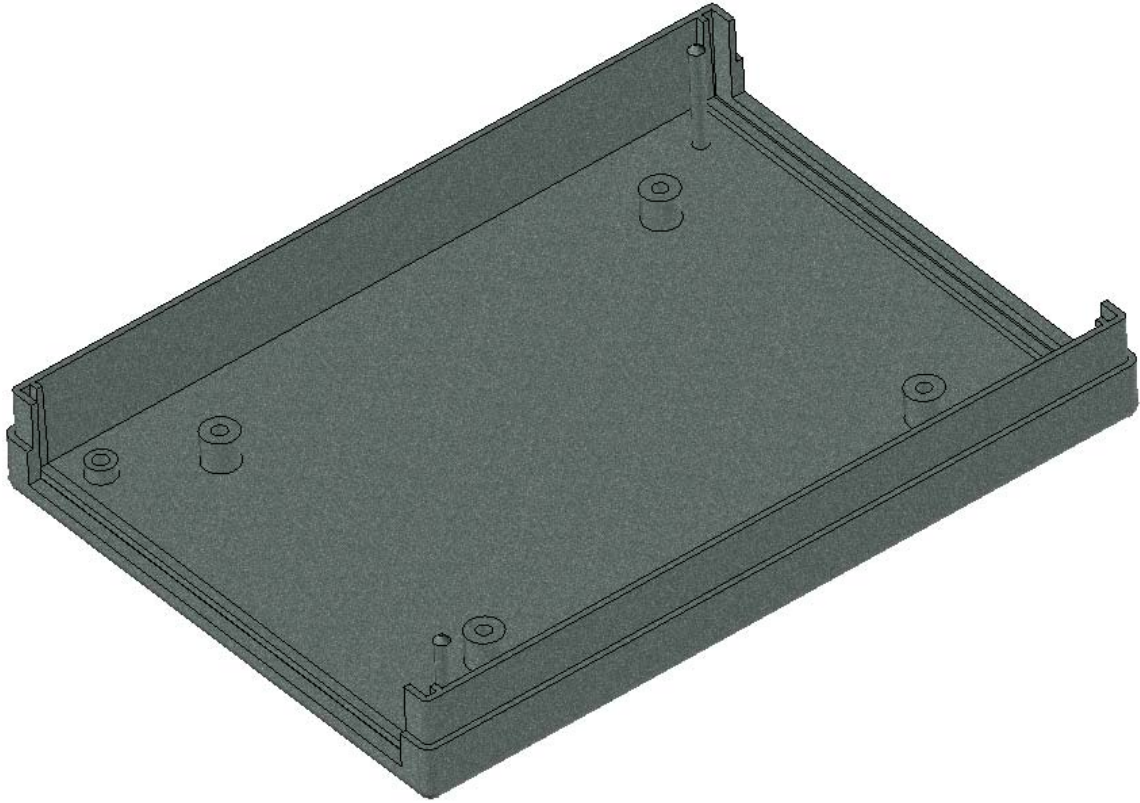
Model produktu	Z-19	
Format:	A4	Materiat: Polystyrene (PS)
Skala:	1:1	Tolerancja: +/- 0.1

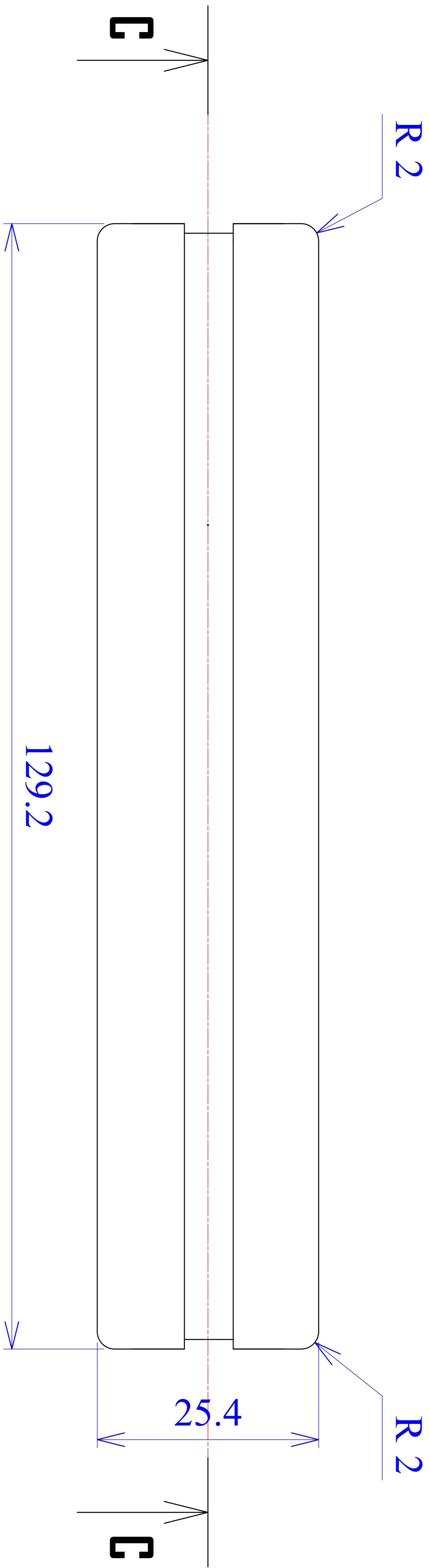


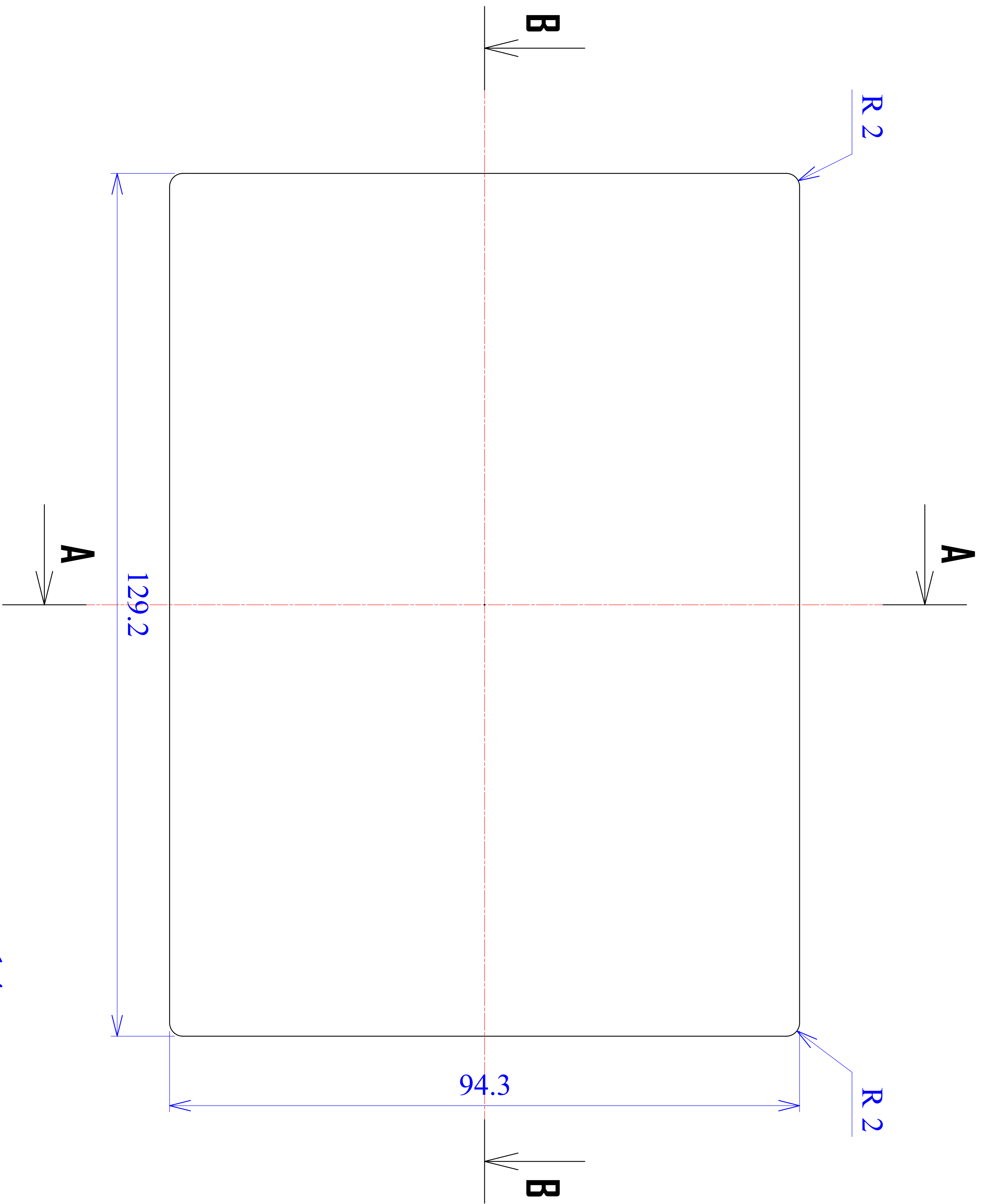












129.2

94.3

R 2

R 2

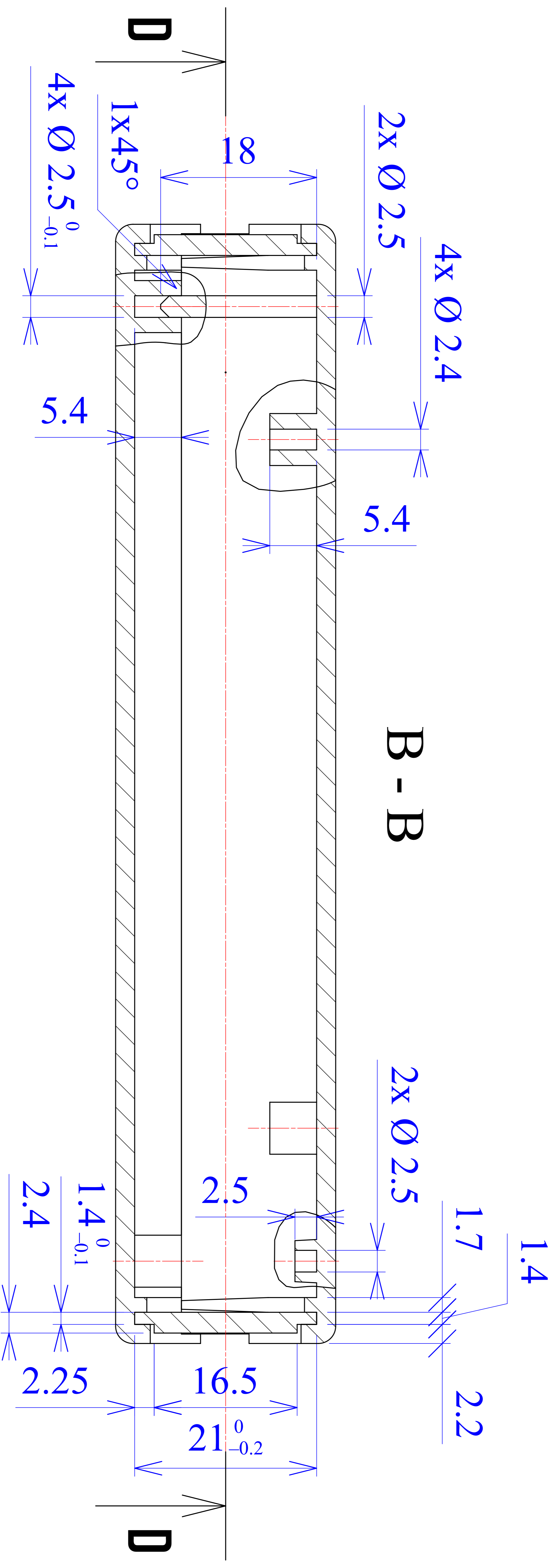
A

A

B

B

14



2x Ø 2.5

4x Ø 2.4

B - B

2x Ø 2.5

1.4

1.7

2.2

18

5.4

2.5

16.5

21_{-0.2}⁰

D

D

1x45°

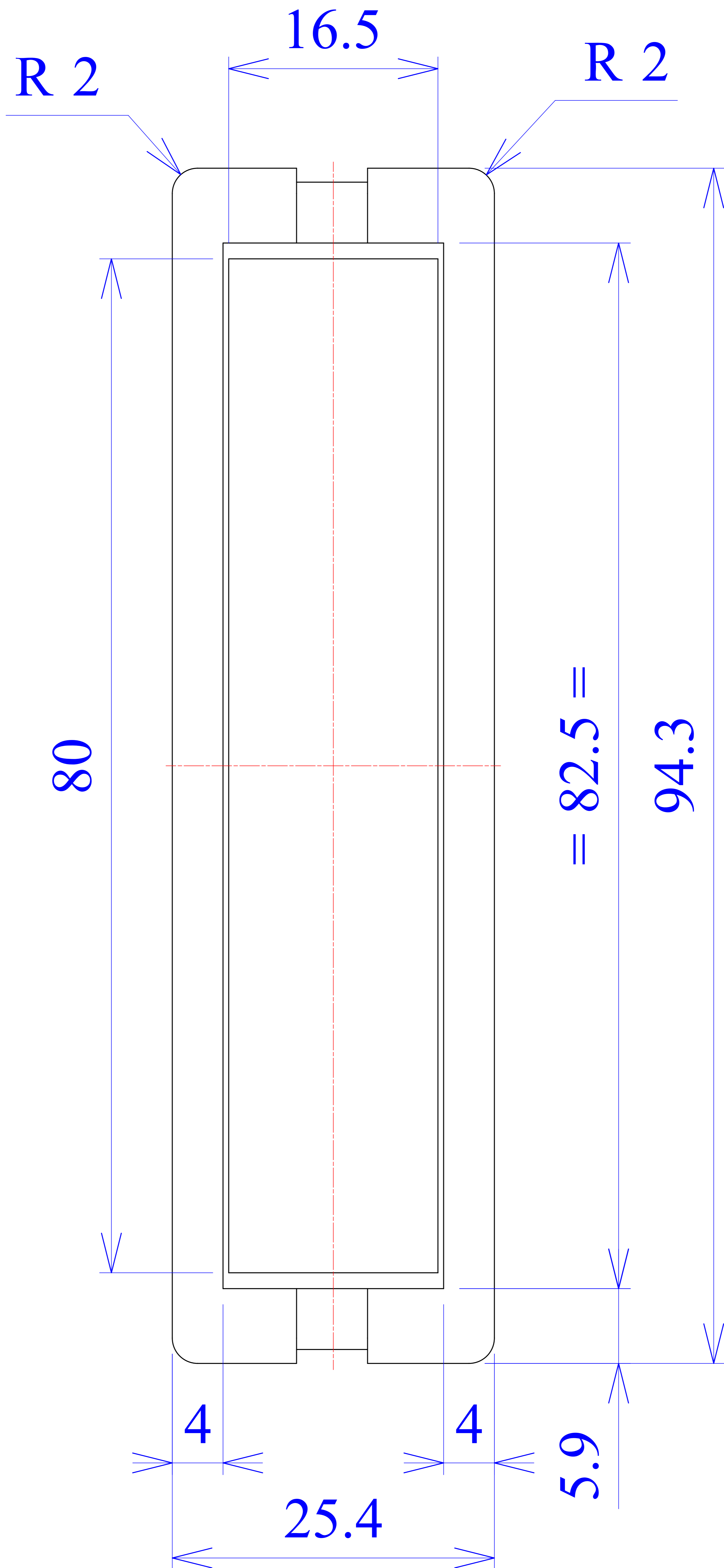
4x Ø 2.5_{-0.1}⁰

5.4

1.4_{-0.1}⁰

2.4

2.25



A - A

