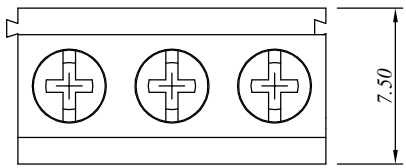


| SIGN | DATE | DESCRIPTION | APPROVER |
|------|------|-------------|----------|
| △ | | | |
| △ | | | |
| △ | | | |



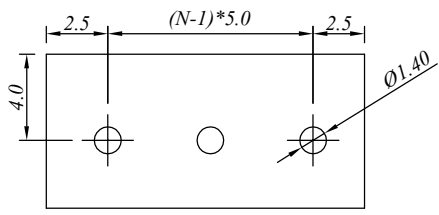
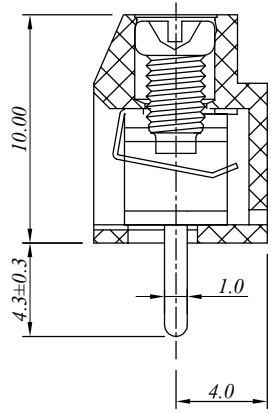
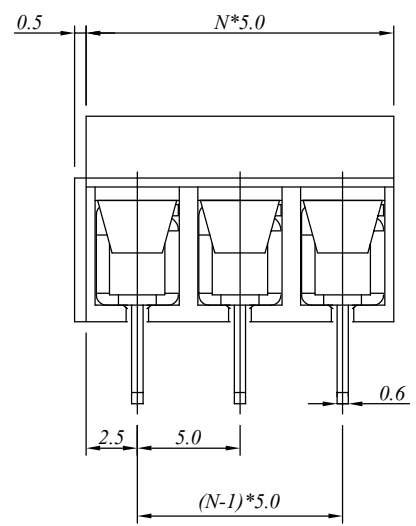
P.C.B. LAYOUT

材质于电镀/*Material*
 塑件/*Insulator body*: PA66, UL94V-0
 方针/*Contact(metal housing)*: Brass, Tin plated
 螺丝/*Terminal screw*: M2.5, Steel Zn plated
 弹片/*Wire guard*: Stainless steel

电器性能/*Electrical*
 参考标准/*Standard*: UL IEC
 额定电压/*Rated voltage*: 300V 250V
 额定电流/*Rated current*: 8A 15A
 接触电阻/*Contact resistance*: 20m Ω (max)
 绝缘电阻/*Insulation resistance*: 500M Ω /500V
 耐电压/*Withstanding voltage*: AC 2000V/1Min
 使用线径/*Wire range*: 14-26AWG, 1.5mm²

机械性能/*Mechanical*
 扭矩/*Torque*: 0.4Nm(3.6Lb.in)
 温度范围/*Temperature range*: -40°C to +120°C
 剥线长度/*Steip length*: 6-7mm
 瞬间温度/*Max soldering*: +250°C, for 5 Sec

尺寸/*Dimensions*
 间距/*Pitch*: 5.0mm
 极数/*Poles*: 2-24P



N=Number of contacts

慈溪万海电子有限公司 CIXI WANHAI ELECTRONICS CO., LTD.

| | | | | | |
|-----------------------|------------|-------------|----------|---|--|
| PART. NAME: JM126-5.0 | | | | TITLE: | |
| PART. NO.: | | | | DWG NAME: | |
| APPROVED BY | CHECKED BY | DESIGNED BY | DRAWN BY | CUSTOM NO.: | <i>Tolerance</i> x. ±0.50 x.x ±0.30 x.xx ±0.10 xx° ±1° |
| | | | | UNITS: mm SCALE: 4/1 REVISION: B1 | |
| | | | | | |
| | | | | | |