

Receptacle Contacts

Technical Features

Contact Material:

CuSn, CuFe, CuNiSi
Cantilever Spring: Stainless Steel

Contact Finish:

pre-tin plated, gold plated

Wire Size Range:

0.2–0.5 mm² (FLR)
0.5–1.0 mm² (FLR)
1.5 mm² (FLR)

Contact Resistance (New State):

CuSn: <5 mΩ
CuFe: <4 mΩ

Total Temperature max.:

–40 °C to +120 °C (tin plated)
–40 °C to +140 °C (gold plated)

Mating Cycles:

10 (tin plated)
100 (gold plated)

Insertion Force*:

max. 4 N (proof tab 0.6 mm thick)

Extraction Force*:

min. 2 N (proof tab 0.6 mm thick)

Retention Force (from Housing):

– without second locking device
> 25 N
– second locking device only
> 100 N
depends on housing material

Dimensions of Male Contacts:

1.6 x 0.6 mm = Micro Timer II
1.6 x 0.8 mm = Micro Timer III

Modular Dimensions:

3.25 mm x 4.0 mm (smallest)

Version in Single Seal:

4.0 mm x 4.0 mm (smallest)

Extraction Tool:

Part No. **539960-1**

Product Group Drawings:

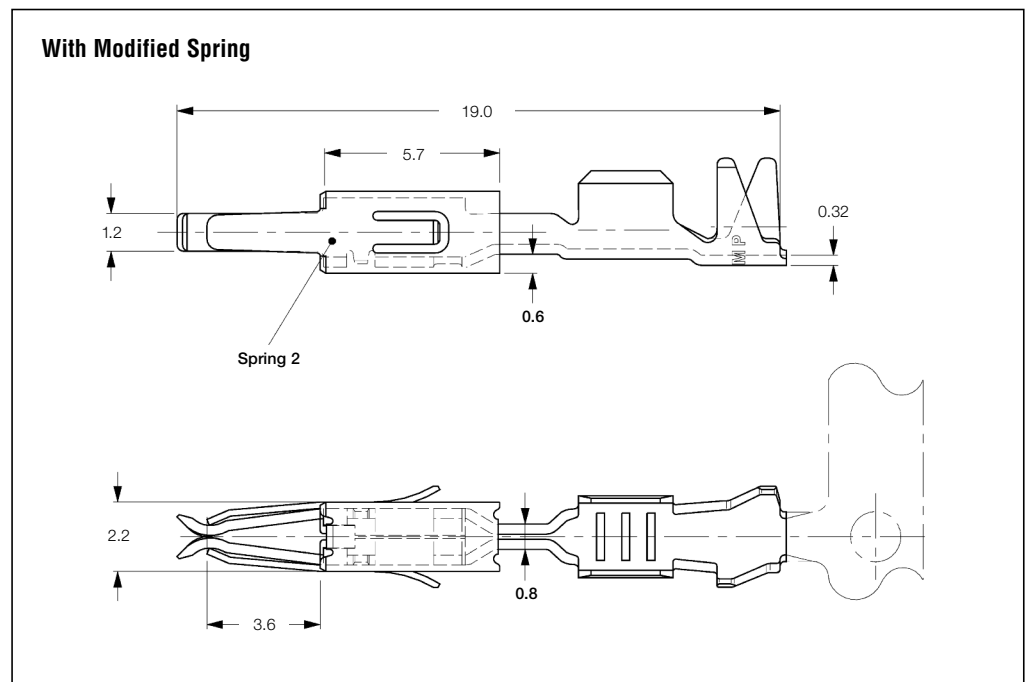
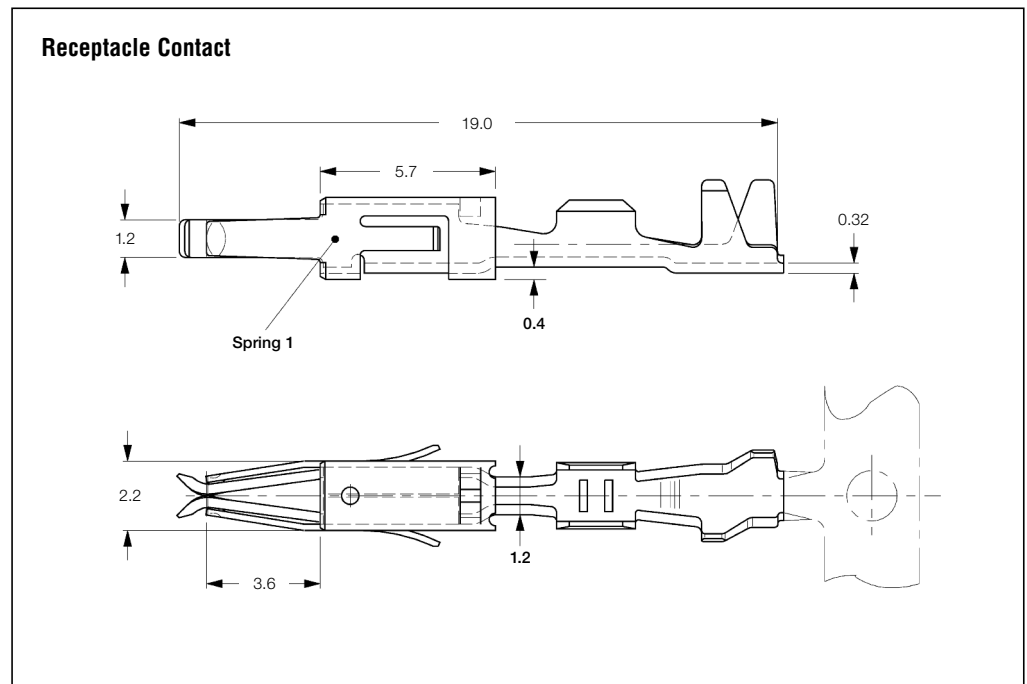
1355045 = Micro Timer II
1241916 = Micro Timer III

Product Specifications:

108-18055 = Micro Timer II
108-18386 = Micro Timer III

Application Specification:

114-18081



Max. Current in 68 Position Housing

| Material | Temperature (° C) | Current Carrying Capacity (Ampere) | | |
|----------|-------------------|------------------------------------|----------------------|----------------------|
| | | 0.35 mm ² | 0.50 mm ² | 0.75 mm ² |
| CuSn | 20 | 3.0 | 5.0 | 8.0 |
| | 90 | 1.5 | 2.0 | 4.0 |
| CuFe | 20 | 4.0 | 6.0 | 10.0 |
| | 90 | 1.5 | 2.5 | 5.0 |

*) Measured with an Steel Test Tab (see Product Spec. 108-18279).

) **Note: Micro Timer III is made for diagnosis applications.

Receptacle Contacts (continued)

Standard Receptacle Contacts

| Wire Size Range (mm ²) | Insulation Diameter (mm) | | Material and Finish* | Part Numbers | | | | | |
|------------------------------------|--------------------------|-----------|-----------------------------|--------------|------------------|--------------|------------------|-------------|-----------|
| | FLK | FLR | | Strip Form | Package Quantity | Loose-Piece | Package Quantity | Applicator* | Hand Tool |
| 0.2-0.5 | - | 1.15-1.60 | -1 / -2 / -3 / -4 / -5 / -6 | 962942 1) | 7,000 | 962944 1) | 500 | 1528061 | 2063409-1 |
| 0.5-1.0 | - | 1.4-2.1 | -1 / -2 / -3 / -4 / -5 / -6 | 962943 1) | 6,000 | 962945 1) | 500 | 1528256 | |
| | | | -1 / -2 | 964150 1) 3) | 5,000 | 964151 1) 3) | 500 | 1528096 | |
| 0.2-0.5 | - | 1.15-1.60 | -1 / -2 | 965914 6) | 6,000 | 965915 6) | 500 | 1528061 | |
| 0.5-1.0 | - | 1.4-2.1 | -1 | 968052 5) | 6,000 | 968053 5) | 500 | 1528256 | |
| | | | -1 | 969022 6) | 6,000 | 969023 6) | 500 | 1528304 | |

Receptacle Contacts with Single Wire Sealing System

| Wire Size Range (mm ²) | Insulation Diameter (mm) | | Material and Finish* | Part Numbers | | | | | |
|------------------------------------|--------------------------|---------|------------------------|--------------|------------------|-------------|------------------|-------------|-----------|
| | FLK | FLR | | Strip Form | Package Quantity | Loose-Piece | Package Quantity | Applicator* | Hand Tool |
| 0.2-0.5 | - | 1.2-1.6 | -1 / -2 / -3 / -5 | 962875 1) | 4,000 | 963710 1) | 500 | 1528281 | 2063265-1 |
| 0.5-1.0 | - | 1.4-2.1 | -1 / -2 / -3 / -5 / -6 | 962876 1) | 4,000 | 963711 1) | 500 | 1528054 | |
| 1.5 | - | 2.2-2.4 | -1 | 1703414 | 4,000 | 1703415 | 500 | 1528772 | |

Standard Receptacle Contacts with Modified Spring

| Wire Size Range (mm ²) | Insulation Diameter (mm) | | Material and Finish* | Part Numbers | | | | | |
|------------------------------------|--------------------------|-----------|----------------------|--------------|------------------|--------------|------------------|-------------|-----------|
| | FLK | FLR | | Strip Form | Package Quantity | Loose-Piece | Package Quantity | Applicator* | Hand Tool |
| 0.2-0.5 | - | 1.15-1.60 | -2 / -3 / 4-xxx-1 | 964261 2) | 7,500 | 964262 2) | 500 | 1528091 | 2063409-1 |
| 0.5-1.0 | - | 1.4-2.1 | -2 / -3 / 4-xxx-1 | 964263 2) | 6,000 | 964264 2) | 500 | 1528092 | |
| | | | -2 | 964348 2) 3) | 5,500 | 964349 2) 3) | 500 | 1528096 | |
| 1.5 | - | 2.2-2.4 | -2 / -3 | 1241844 2) | 5,000 | 1241845 2) | 500 | 1528123 | - |
| 0.2-0.5 | - | 1.15-1.60 | -2 / 4-xxx-1 | 1241858 5) | 7,500 | 1241859 5) | 500 | 1528091 | 2063409-1 |
| 0.5-1.0 | - | 1.4-2.1 | -2 / -7 / 4-xxx-1 | 1241860 5) | 6,000 | 1241861 5) | 500 | on request | |

Receptacle Contacts with Modified Spring and Single Wire Sealing System

| Wire Size Range (mm ²) | Insulation Diameter (mm) | | Material and Finish* | Part Numbers | | | | | |
|------------------------------------|--------------------------|-----------|------------------------|--------------|------------------|-------------|------------------|-------------|-----------|
| | FLK | FLR | | Strip Form | Package Quantity | Loose-Piece | Package Quantity | Applicator* | Hand Tool |
| 0.2-0.5 | - | 1.15-1.60 | -1 / -2 / -6 | 968045 1) | 4,000 | 968046 1) | 500 | 1528281 | 2063409-1 |
| | | | -2 / -3 / -6 / 4-xxx-1 | 969005 2) | 4,500 | 969019 2) | 500 | 1528068 | |
| 0.5-1.0 | - | 1.4-2.1 | -2 / -3 / -6 / 4-xxx-1 | 964274 2) | 4,000 | 964275 2) | 500 | 1528261 | |
| | | | -1 / -2 / -6 | 968015 1) | 4,000 | 968016 1) | 500 | 1528054 | |
| 0.2-0.5 | - | 1.15-1.60 | -2 / 4-xxx-1 | 1241730 5) | 4,500 | 1241731 5) | 500 | 1528068 | |
| 0.5-1.0 | - | 1.4-2.1 | -2 / 4-xxx-1 | 1241732 5) | 4,000 | 1241733 5) | 500 | 1528261 | |

***) Material and Finish:**

- xxx-1 = CuSn4, pre-tin plated
- xxx-2 = CuFe2, pre-tin plated
- xxx-3 = CuSn4, gold plated
- xxx-4 = CuSn4, gold plated, short-circuit execution
- xxx-5 = CuFe2, gold plated
- xxx-6 = CuSn4, special gold plated
- xxx-7 = CuNi12Zn24, plain
- 4-xxx-1 = CuNiSi, gold plated

Remarks:

- 1) = With Spring 1
- 2) = With Spring 1 or Spring 2
- 3) = For Double and Single Termination

Micro Timer III:

- 5) = Gap Size 0.2 mm
- 6) = Gap Size 0.35 mm

*) The pre- and suffix for the applicators depends on the applied termination equipment.