

# FCN-714P\*\*\*-\*\*/0

## FCN-710 Series DIP Connectors

### FEATURES

The FCN-710 series connector has been designed to plug into ordinary IC and LSI sockets, or directly onto a PC board. This series has 10 contact types including 10-, 14-, 16-, and 20- to 60-contact types.

Mounting height from the PC board is only 5.3 mm (0.208 in.). The U contact of the proven high-reliability FCN-700 series is used for flat cable connections.

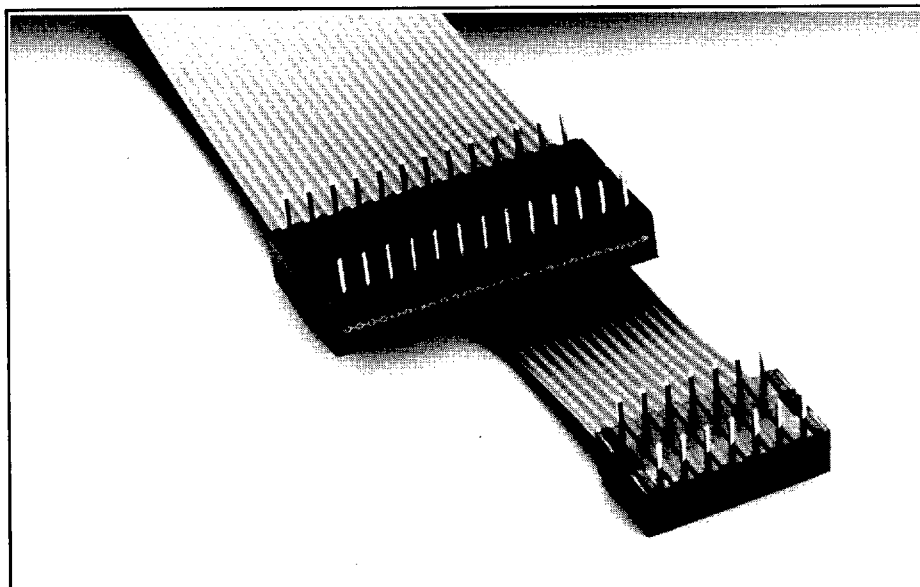
### SPECIFICATIONS

Temperature Range	-55 to +105°C
Current Rating	1 ADC
Voltage Rating	250 VAC
Insulation Resistance	1000 MΩ min. (500 VDC)
Dielectric Withstand Voltage	500 VAC for 1 minute
Applicable Wire	Flat cable: 1.27 mm (0.05 in.) pitch AWG #28 (stranded wire), AWG #30 (solid wire)
Applicable PC Board (standard)	1.6 mm (0.063 in.)

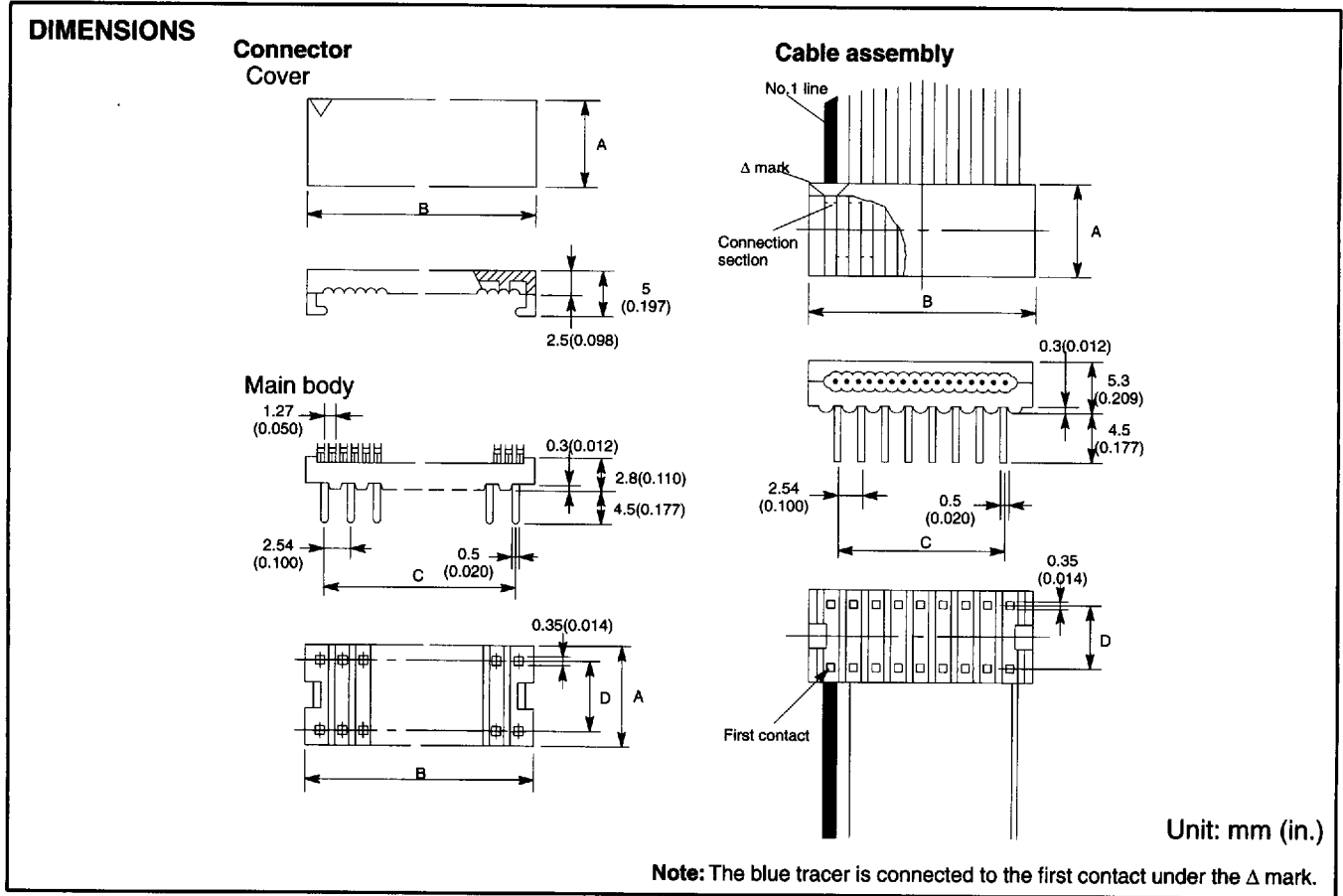
### MATERIALS

Contact	Copper alloy	
Insulator	Polyester, UL94V-O	
Plating	Contacts	Gold over palladium over nickel (PAGOS)
	Terminals	PAGOS or tin

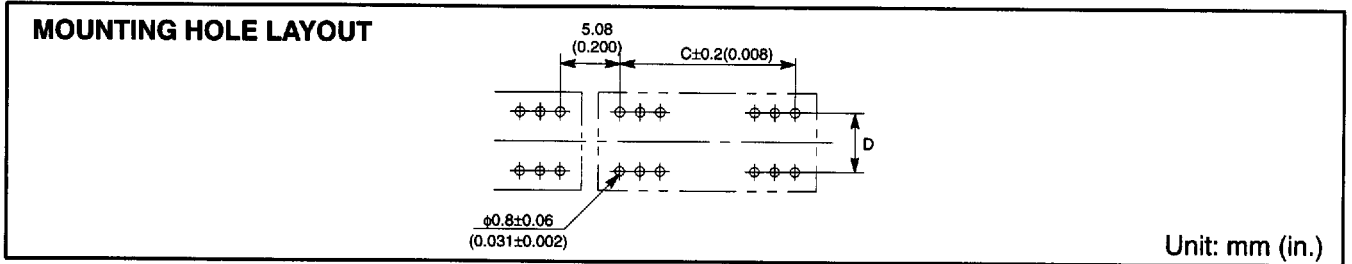
4



FCN-714P\*\*\*-AU/0/-SN/0



4



**PART NUMBERS**

No. of Contacts	Part Number		Dimensions			
	Gold Plating	Tin Plating	A	B	C	D
10	FCN-714P010-AU/0	FCN-714P010-SN/0	10.67(0.420)	14.74(0.580)	10.16(0.400)	7.62(0.300)
14	FCN-714P014-AU/0	FCN-714P014-SN/0	10.67(0.420)	19.82(0.780)	15.24(0.600)	7.62(0.300)
16	FCN-714P016-AU/0	FCN-714P016-SN/0	10.67(0.420)	22.36(0.880)	17.78(0.700)	7.62(0.300)
20	FCN-714P020-AU/0	FCN-714P020-SN/0	18.29(0.720)	27.44(1.080)	22.86(0.900)	15.24(0.600)
24	FCN-714P024-AU/0	FCN-714P024-SN/0	18.29(0.720)	32.52(1.280)	27.94(1.100)	15.24(0.600)
26	FCN-714P026-AU/0	FCN-714P026-SN/0	18.29(0.720)	35.06(1.380)	30.48(1.200)	15.24(0.600)
34	FCN-714P034-AU/0	FCN-714P034-SN/0	18.29(0.720)	45.22(1.780)	40.64(1.600)	15.24(0.600)
40	FCN-714P040-AU/0	FCN-714P040-SN/0	18.29(0.720)	52.84(2.080)	48.26(1.900)	15.24(0.600)
50	FCN-714P050-AU/0	FCN-714P050-SN/0	18.29(0.720)	65.54(2.580)	60.96(2.400)	15.24(0.600)
60	FCN-714P060-AU/0	FCN-714P060-SN/0	18.29(0.720)	78.24(3.080)	73.66(2.900)	15.24(0.600)

Note 1: Connectors with cables are given as a group later.

Note 2: Some 20-contact IC sockets are not interchangeable.

Note 3: The 0 at the end of the designation is the numeral 0.